



2021

# PRODUCT CATALOGUE

WORLD CLASS HARDWARE • OPEN ARCHITECTURE  
RESILIENT RECORDING • MARKET LEADING MANAGEMENT SOFTWARE

# CONTENTS

Icon Introduction	1
<b>MANAGE</b>	<b>4</b>
Control Center IndigoUltra®	6
Control Center IndigoPro®	8
Control Center IndigoLite®	10
Control Center Mobile	12
IndigoReports	14
License Plate Recognition (LPR) powered by InnoWare	16
Compass	18
Compass Servers	20
Compass Decoder	22
Compass Joystick	24
CyberVigilant®	26
Integra® Software	28
Integra®	30
Integra® View Workstations	32
Hybrid NVR Workstation	34
Platinum Workstation	36
Mini Client Workstation	38
Workstation Monitor	40
Surveillance Keyboard	42
IP Video Wall	44
<b>ARTIFICIAL INTELLIGENCE</b>	<b>46</b>
Artificial Intelligence powered by BriefCam	48
Video Processing Server	50

<b>CAPTURE</b>	<b>52</b>
UX Camera Range	54
BX Camera Range	63
GX Outdoor Dome Camera	69
IR PTZ Cameras	73
UX3520 HD Ultra X PTZ Dome Camera	77
BX520 HD/4MP PTZ Dome Cameras	79
SP Multisensor Camera	81
SP Thermal Cameras	87
6MP/12MP Fisheye Camera	91
HD Interceptor PTZ Camera	93
XF & XP HD ATEX Cameras	95
UX Camera Mount & Accessory Matrix	97
GX/BX Camera Mount & Accessory Matrix	100
PTZ Camera Mount & Accessory Matrix	103
SP Multisensor Camera Mount & Accessory Matrix	109
SP Thermal Camera Mount & Accessory Matrix	112
Fisheye Camera Mount & Accessory Matrix	115
Specialized Camera Mount & Accessory Matrix	118
BX130 8/16 Channel Encoder	121
<b>RECORD</b>	<b>123</b>
Large Enterprise NVR-AS (NVR-AS 4000)	125
Enterprise NVR-AS (NVR-AS 4000)	127
Compact Network Video Recorder (NVR-AS 4000)	129
Windows NVR-AS Software	131
<b>INTEGRATE</b>	<b>133</b>
Camera Gateway™	135
Video Stream Manager Software	137
Software Development Kit	139
Integration Module Matrix	141

# ICON INTRODUCTION



Choosing the product that is right for you can be a complex task, especially when faced with such a large range of products and so many different features.

We have made this easier with our simple user-friendly icons. Each icon represents a feature or benefit, so all you need to do is pick the icons you are interested in and look out for them in the datasheets.

## SENSOR



### High Definition (HD)

Video standard including 720p (1280 x 720) and 1080p (1920 x 1080).



### 8 Megapixel (8MP)

High resolution (4000 x 3000) with 4:3 aspect ratio.



### Wide Dynamic Range (WDR)

Captures images in high-contrast lighting conditions.



### Low Light

Allows images and footage to be captured at night or in areas where light levels are between 0.5 and 0.01 lux.



### 4 Megapixel (4MP)

High resolution (2560 x 1440) with 4:3 aspect ratio.



### 12 Megapixel (12MP)

High resolution (4000 x 3000) with 4:3 aspect ratio.



### Dual Wide Dynamic Range

Captures images in high-contrast lighting conditions by using two pixels for light and dark. Significantly better than standard WDR.



### Image Stabilisation

A means of cancelling out any natural movement of a camera due to wind or vibration.



### 6 Megapixel (6MP)

High resolution (2880 x 2160) with 4:3 aspect ratio.



### High Resolution (4K)

Higher quality than conventional HD or MP. 4000 x 3000 pixels provide more detailed footage.



### Day/Night

A mechanical infrared (IR) filter allows the camera to operate normally during the day and then switch to mono as it grows darker.

## COMPRESSION



### H.265

A motion-based video compression format.



### JPEG2000

A still-image compression standard that allows images to be displayed in multiple resolutions.



### Guaranteed 25fps

25 frames per second (fps) is guaranteed at maximum resolution using IndigoVision's unique video processing technology.



### Up to 25fps

The camera can stream at a rate of 25 frames per second (fps) at maximum resolution.



### Advanced Audio Coding (AAC)

An audio compression and encoding format. It delivers higher quality audio than traditional G.711 format.



### IndigoVision H.264

Optimised H.264 video codec meaning lower bandwidth and reduced storage.



### MPEG-4

A motion-based video compression format.



### Up to 60fps

The camera can stream at a rate of 60 frames per second (fps) at maximum resolution.



### Up to 12fps

The camera can stream at a rate of 12 frames per second (fps) at maximum resolution.



### G.711

An audio compression format commonly used in digital transmission systems. It samples at 8Khz and streams at 64kbps.



### H.264

A motion-based video compression format.



### MJPEG

Motion JPEG – a stills-based video compression format.



### Up to 30fps

The camera can stream at a rate of 30 frames per second (fps) at maximum resolution.



### Field Programmable Gate Array (FPGA)

Hardware processor used to encode video, ensures guaranteed frame rate.



### MP2

An audio compression format commonly used in audio broadcasting systems.

# INTELLIGENCE



**Activity Controlled Frame Rate (ACF)**  
Frame rate reduces when no motion is detected using basic analytics – up to 90% reduction in storage requirements.



**Activity Controlled Frame Rate + (ACF+)**  
Reduces frame rate when no motion is detected using advanced analytics. Greater than 90% reduction in storage requirements.



**Analytics**  
Advanced video analytics including: object detection, virtual tripwire, museum mode and object counter-flow.



**Motion Detection**  
Basic video analytics covering simple motion.



**CyberVigilant™ Technology**  
Control Center integrated network monitoring technology designed to monitor and detect network cybersecurity anomalies.

# OTHER



**Distributed Network Architecture (DNA)**  
Intelligence is at the edge of the system with no reliance on a central server; provides resilience and redundancy.



**Power over Ethernet (PoE)**  
Devices draw power and data from a single Ethernet cable, simplifying installation.



**Power over Ethernet (PoE+)**  
Devices draw power and data from a single Ethernet cable, simplifying installation.



**Power over Ethernet (Hi-PoE+)**  
Devices draw power and data from a single Ethernet cable, simplifying installation.



**Firewall**  
A security feature that regulates incoming and outgoing network traffic to guard against potentially malicious attacks on the system.



**ONVIF**  
Open Network Video Interface Forum – An industry forum to maintain a communication standard for IP video devices.



**BNC Connector**  
BNC, 75ohm, Standard Definition video input(s).



**Watermark**  
A means of digitally protecting video data from tampering.



**Linux**  
A robust and reliable operating system designed for embedded appliances.



**Windows**  
Windows operating system.



**ATEX Certified**  
Certified to ATEX equipment directive (94/9/EC) for use in a potentially hazardous area or explosive atmosphere.



**IECEX Certified**  
Certified to IECEx standards for use in a potentially hazardous area or explosive atmosphere.



**INMETRO Certified**  
Certified to INMETRO standards for use in a potentially hazardous area or explosive atmosphere.



**cLCus Certified**  
Certified to cLCus standards for use in a potentially hazardous area or explosive atmosphere.



**Wearable Video**  
A standalone mobile camera that can be worn.



**CentOS**  
A robust and reliable operating system designed for embedded appliances.

# PHYSICAL



**Outdoor**  
Outdoor cameras feature a protective casing to protect them from the elements.



**IR**  
Integrated IR Illumination for improved low light operation.



**Adaptive IR**  
Integrated Adaptive IR Illumination with optimum scene illumination for improved low light operation.



**IK08**  
IK ratings measure the durability of protective casings through impact testing.



**IK10**  
IK ratings measure the durability of protective casings through impact testing. 10 is the highest rating.



**Low Temperature**  
Can function in temperatures as low as -50°C / -50°F.



**High Temperature**  
Can function in temperatures as high as 50°C / 122°F.



**In-Ceiling**  
In-ceiling cameras that can be mounted into false ceilings. This is less intrusive than conventional mountings.



**Integral Microphone**  
A built-in microphone such that audio may be listened to or recorded.



**1U Height**  
Product is rack mountable and when mounted will occupy 1U in height.



**2U Height**  
Product is rack mountable and when mounted will occupy 2U in height.



**19" Rack**  
Product is rack mountable in a standard 19" rack.



# PHYSICAL



**Redundant Power Supply**  
Product supports a redundant power supply that, when utilised, minimises the chance of a complete shutdown.



**180°**  
Hemispheric camera providing a 180-degree panoramic view (wall mount) for wide area of coverage and no blind spots.



**Hybrid NVR Workstation**  
Complete one-stop-shop powerhouse with built-in NVR capability.



**Redundant Network**  
Contains a redundant network connection so that vital network capabilities are always available when needed.



**360°**  
Hemispheric camera providing a full 360-degree surround view (Ceiling/floor/table mount) or 180-degree panoramic view (wall mount) for wide area of coverage and no blind spots.



**Peak Performance Model**  
Complete powerhouse, lighting-fast processing perfect for large sites.



**White Light Illumination**  
Camera's field of view is illuminated using standard white light.

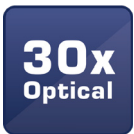


**Mini Client Workstation**  
Efficient and ultra compact - designed to run small sites.



**Redundant Fans**  
Contains redundant fans to maintain operating temperature even under a fault condition.

# ZOOM



**30x Optical**  
Operators can optically zoom in to view part of an image, revealing more detail without any loss in resolution.

# STORAGE



**ADAPT**  
ADAPT is a data protection scheme that maximizes flexibility, provides built in spare capacity, allows for very fast rebuilds, large storage pools, and simplified expansion.



**Dual RAID**  
A means of ensuring that RAID arrays remain intact, even if one of the RAID controllers fails.



**RAID6**  
A means of mounting multiple disks into a single storage volume.



**SATA**  
A type of hard disk drive.



**RAID5**  
A means of mounting multiple disks into a single storage volume.



**SAS**  
A type of hard disk drive.

# INTEGRATIONS



**Alarm Integration into Control Center**  
Events and alarms from a third-party system are forwarded into Control Center.



**Acknowledgement of IndigoVision Alarms from within a Third-Party System Interface**  
One-click acknowledgement. An alarm is acknowledged in a third-party system interface and the corresponding alarm is also automatically acknowledged in Control Center.



**Integrate Data Streams from Third-Party Systems into Control Center**  
Continuous streams of data, such as detected license plates or POS transaction data can now be managed within Control Center. Filter and search through sets of data for an easy side by side review of relevant data entries and their associated video recordings.



**Alarm Integration into Third-Party Systems**  
Events and alarms from Control Center are forwarded into a third-party system.



**Video Integration into Third-Party Systems**  
Video streams (live and recorded video) from an IndigoVision system can be embedded in the third-party user interface.



**Integration of Recorded Video into Third-Party System**  
Recorded video from an IndigoVision system can be imported, processed and filtered in BriefCam user interface.



**Acknowledgement of Alarms from a Third-Party System from within Control Center**  
One-click acknowledgement. An alarm is acknowledged in Control Center and the corresponding alarm is also automatically acknowledged in the third-party system interface.



**Manually Control Actions within the Third-party System - Directly from Control Center**  
Specific actions in the third-party system are directly controlled within Control Center, such as triggering a gate release mechanism.



**Integration of Recorded Video into Third-Party System**  
Recorded video from an IndigoVision system can be imported, processed and filtered in BriefCam user interface.



# MANAGE



**Get the information you need at your fingertips to make fast, critical decisions.**

At IndigoVision, we know that security teams who have complete visibility of their site, along with immediate access to video, alarms and data, are able to resolve incidents in seconds and have a much greater chance of enhancing safety and protecting their people, property and assets.

Our suite of Management Software and Hardware products are designed to help you more effectively manage your security systems with the highest level of operator control.

Control Center, our renowned Video Management Software (VMS), is a fully integrated user interface for managing your video, alarms and third-party systems. Pull up footage from any of your cameras in seconds, give your team complete situational awareness of any incident, day or night, and easily integrate with third-party applications. Trusted by operators for being an intuitive system to learn and use, you can be confident that employees of any experience level will be able to handle critical incidents.

Our range of VMS solutions increases the intelligence of your investigations and support your operating procedures. Our Command & Control Software enables you to consistently guide the response of your operators and ensure data-driven decision making from improved Business Intelligence, while our IndigoReports platform provides advanced analytics to enhance investigations and provide protection against cyber attacks. Get the flexibility to set up a bespoke security solution with our Management Hardware products, from Integra®, our "security system in a box", to monitors, workstations and accessories needed to configure your Control Room to meet today's security challenges.

# MANAGE INDEX

<b>Control Center IndigoUltra®</b>	<b>6</b>	<b>CyberVigilant®</b>	<b>26</b>
<ul style="list-style-type: none"><li>• Video and alarm management software</li><li>• View up to 100 simultaneous live streams</li><li>• Integrated third-party cameras</li><li>• Unlimited number of client workstation installs</li><li>• Integrated third-party security systems</li></ul>		<ul style="list-style-type: none"><li>• Cyber-Security Alarms directly into Control Center</li><li>• Automatic generation of monitoring rules for Cameras and NVRs from site database</li><li>• Monitor up to 16 or 24 connected devices at edge network switch</li></ul>	
<b>Control Center IndigoPro®</b>	<b>8</b>	<b>Integra® Software</b>	<b>28</b>
<ul style="list-style-type: none"><li>• Video and alarm management software</li><li>• View up to 80 simultaneous live streams</li><li>• Integrated third-party cameras</li><li>• Unlimited number of client workstation installs</li><li>• Integrated third-party security systems</li></ul>		<ul style="list-style-type: none"><li>• Self-contained security management solution</li><li>• Control Center, NVR-AS, License Server pre-installed</li><li>• Pre-licensed with device licenses</li><li>• Supports maps, webpages, CyberVigilant® in Camera</li></ul>	
<b>Control Center IndigoLite®</b>	<b>10</b>	<b>Integra®</b>	<b>30</b>
<ul style="list-style-type: none"><li>• Video management software</li><li>• View up to 40 simultaneous live streams</li><li>• Integrated third-party cameras</li><li>• Unlimited number of client workstation installs</li></ul>		<ul style="list-style-type: none"><li>• All-in-one solution</li><li>• Combined workstation, PoE+ switch and NVR</li><li>• Up to 24TB storage for video</li><li>• Dual monitor support</li><li>• Use standalone or connect multiple Integra®</li></ul>	
<b>Control Center Mobile</b>	<b>12</b>	<b>Integra® View Workstations</b>	<b>32</b>
<ul style="list-style-type: none"><li>• Situational awareness on the move</li><li>• iPhone, iPad and Android support</li><li>• PC-based web browser support</li><li>• View live video, control PTZ cameras, manage alarms</li><li>• Play back recorded video on alarm</li></ul>		<ul style="list-style-type: none"><li>• Connect multiple Integra® in a centrally managed system</li><li>• Mini Tower and Compact Micro form factor available</li><li>• Bands for different total channel counts</li></ul>	
<b>IndigoReports</b>	<b>14</b>	<b>Hybrid NVR Workstation</b>	<b>34</b>
<ul style="list-style-type: none"><li>• Detect cyber-attacks and take early action</li><li>• Demonstrate compliance and avoid fines</li><li>• Maintain system health and close security gaps</li><li>• Use in-built templates to quickly create incident reports</li></ul>		<ul style="list-style-type: none"><li>• Complete one-stop-shop powerhouse with built-in NVR capability</li><li>• Support for four monitors</li><li>• Display up to 16 simultaneous HD video streams</li><li>• Purpose-built, thoroughly tested, best performance guaranteed</li></ul>	
<b>License Plate Recognition (LPR) powered by InnoWare</b>	<b>16</b>	<b>Platinum Workstation</b>	<b>36</b>
<ul style="list-style-type: none"><li>• Integrated with Control Center</li><li>• High level of accuracy</li><li>• Supported in most countries</li></ul>		<ul style="list-style-type: none"><li>• Peak performance powerhouse model, lightning fast processing speed - perfect for large sites</li><li>• Intel® Core™ Xeon processors, 32GB memory and RadeonPro™ graphic card</li><li>• Purpose-built, thoroughly tested, best performance guaranteed</li></ul>	
<b>Compass</b>	<b>18</b>	<b>Mini Client Workstation</b>	<b>38</b>
<ul style="list-style-type: none"><li>• Monitor system health and receive alerts</li><li>• Help your team perform at their best with Standard Operating Procedures</li><li>• Gain valuable insights with business intelligence</li><li>• Audit security operator performance</li></ul>		<ul style="list-style-type: none"><li>• Efficient and ultra compact - designed to run small sites</li><li>• Solid State Hard Drive for lightning fast speed</li><li>• Easy installation</li><li>• Purpose-built, thoroughly tested, best performance guaranteed</li></ul>	
<b>Compass Servers</b>	<b>20</b>	<b>Workstation Monitor</b>	<b>40</b>
<ul style="list-style-type: none"><li>• Bring control and reliability to your security system</li><li>• Protect security management information</li><li>• Ensure there is no data loss</li><li>• Perfect for high-workload incident management</li><li>• Transcode multiple high-quality video streams from different sources to multiple clients</li></ul>		<ul style="list-style-type: none"><li>• Purposefully designed for comfort and convenience</li><li>• Enjoy full adjustability to pivot, tilt, height adjustment and swivel to suit your needs</li><li>• 24" screen with pixel-perfect clarity</li><li>• Ultra wide viewing angle</li></ul>	
<b>Compass Decoder</b>	<b>22</b>	<b>Surveillance Keyboard</b>	<b>42</b>
<ul style="list-style-type: none"><li>• Video decoding appliance for video streaming</li><li>• Video-wall content creation</li><li>• Configurable mosaic layouts</li><li>• Low-latency video streaming directly from ONVIF/RSTP sources</li></ul>		<ul style="list-style-type: none"><li>• Desktop keyboard with 3-axis joystick</li><li>• Multi-function keys and LCD graphic display</li><li>• Full control of Control Center virtual matrix</li></ul>	
<b>Compass Joystick</b>	<b>24</b>	<b>IP Video Wall</b>	<b>44</b>
<ul style="list-style-type: none"><li>• Professional USB multifunction controller</li><li>• Proportional three axis for PTZ control</li><li>• 27 tactile push buttons</li><li>• Jog / shuttle dial</li></ul>		<ul style="list-style-type: none"><li>• Construct large scale video walls using any monitors</li></ul>	





# Control Center v18.0 IndigoUltra®

Your security solution of choice.

Control Center IndigoUltra® merges your choice of products, allowing a custom-tailored integrated system design. Performing reliably on any scale IndigoUltra® allows for quickest response times and accurate incident management.

With IndigoVision's Distributed Network Architecture, IndigoUltra® supports an unlimited number of client workstation installs and NVRs connected to the system; supporting continuous system growth whatever the future might bring.

Control Center is IndigoVision's effective, scalable and robust security management solution. It has an intuitive interface that provides easy system setup and efficient administration, saving you both time and money. Relentless testing and quality control 365 days per year ensures strong foundations for a robust, trusted security management offering.

IndigoUltra® delivers:

-  Unlimited Device Connections
-  Unlimited Client Workstations
-  Unlimited NVR Connections

## Product Codes

Control Center	
IndigoVision Product CD/USB - Control Center Software	340003
IndigoUltra® Single Device Connection License	340000-U
IndigoPro® to IndigoUltra® - Upgrade Single Device Connection License	345000-PU
IndigoLite® to IndigoUltra® - Upgrade Single Device Connection License	345000-LU
IndigoUltra® - Migration - Single Device Connection License	341000-U
IndigoUltra® - Demo - Single Device Connection License	346003-U

INDIGO **ULTRA**®

# Specification

General Specification	
Number of Device Connections	Unlimited
Number of Client Workstations	Unlimited (200 simultaneous connections per Site Database Server)
Number of NVR-AS Connections	Unlimited
Live Video	100 video streams (25 per screen)
GUI Themes	Light Mode / Dark Mode
Dynamic Profile Switching	✓
PTZ Control	✓
Client-Side Dewarping	✓ ****
ONVIF PTZ Priority	✓
Audio	Receive / Record / Transmit*
Video Resolutions	up to 20MP*
Video Compression Formats	MPEG-4* / H.265* / H.264* / MJPEG* / JPEG2000*
Video Compression Formats (Hardware Acceleration****)	H.264*/H.265*
Audio Compression Formats	Opus* / AAC* / G.711*
Snapshots	BMP / JPEG
Privacy Zones	✓
Sequences, Salvos and Guard Tours	✓
Pursuit Mode	✓
Connect to Video Wall†	✓
Playback	25 streams
Synchronised Playback	✓
Reverse Playback	✓
Thumbnail Overview	Time / Alarm / Bookmark / Motion* / Audio*
Incident Export	Incident Player / 3rd Party Player (.mp4)*
Storyboard Export	Export recordings from multiple cameras at different times, in any order.
Recording Schedules	✓
Failover / Redundancy and Automatic NVR Switching	✓
Watermarking	Digital watermarking on recording and export
Maps	Multi-layered maps (BMP / JPEG / PNG / DWG), Tile Server
Webpages	✓
Zones	Group multiple inputs into a single alarm
Event Inputs	Digital Input* / Analytics* / Network Loss / Video Loss* / Motion Detection*
Analytics Overlays	✓
Third Party Inputs	Through IndigoVision Integration Modules or IndigoVision Binding Kit
Alarm Video	Live and looped replay / Pre-alarm video / Alarm Groups
Actions on Event	Record / Email / Snapshot* / Move to Preset / Relay Output* / Audio*
Alarm Schedules	✓
Alarm Reports	✓
Bookmarking	✓
Motion and Audio Search	✓
Connect to LPR powered by InnoWare†	Receive events/alerts, bookmarks and data records
Connect to BriefCam†	✓
Alarm and Bookmark Search	✓
Connect to CyberVigilant®†	✓
Support for CyberVigilant® in Camera	✓
Integrated Data	Manage millions of data records from LPR, EPOS and other integrations†
Alarm Escalation	✓
Alarm Procedure Documents	HTML / Text / URL
System Alerts	✓
Audit Log	✓
Mobile Client	View live video and play back alarm video from ONVIF cameras, control PTZ cameras and manage alarms in web browser, Android or iOS app
Architecture	DNA (Distributed Network Architecture)
Segmented Databases	✓
User Groups	✓
Access Permissions	Object and function based permissions
User Authentication	Windows authentication / Basic password
PC Monitors	4
Supported CCTV Keyboards	IndigoVision Surveillance Keyboard, Pelco KBD300A, Pelco CM9760-KBD, American Dynamics ADCC1100, American Dynamics AD2088, Panasonic WV-CU650 (Features may vary based on model)
Multiple Languages	10+ languages including; English, Chinese, French, German, Spanish
Matrix Numbering	1 - 9,999,999
Network Connection Types	TCP / UDP Unicast / UDP Multicast / HTTP / HTTPS^
Device Discovery	✓
Supported Cameras and Encoders	IndigoVision Ultra, BX and GX camera ranges, 9000 Range Encoders, Camera Gateway** and ONVIF Profile S conformant 3rd party cameras
Industry Open Standards	ONVIF Profile S
License Mechanism	Software License Key. Federated License Server supported.
Control Center Supported OS	Windows 10 @ 64-bit v1607 and later, Windows 8.1 @ 64-bit
Windows NVR-AS Supported OS	Windows Server 2019®, Windows Server 2016®, Windows Server 2012 R2®, Windows Server 2012®, Windows 10® 64-bit
License Server Supported OS	Windows Server 2019®, Windows Server 2016®, Windows Server 2012 R2®, Windows Server 2012®, Windows 10® 64-bit. The License Server is also available as part of the IndigoVision NVR-AS 4000 Linux appliances.
Site Database Server Supported OS	Windows Server 2019, Windows Server 2016, Windows Server 2012 R2, Windows 10® 64-bit v1607 and later, Windows 8.1 64-bit

\* Features may vary based on capabilities of the camera or encoder model. Please refer to the relevant product datasheets for details.

\*\* Please see our Camera Gateway Supported Cameras list for full details. \*\*\* For supported GPUs and resolutions, please refer to the Control Center Performance Reference Guide.

\*\*\*\* Supported cameras only. † Purchase product to be connected separately. ^ HTTPS is only supported on new Control Center v16.1 or later installations.





# Control Center v18.0 IndigoPro®

Your security solution of choice.

Control Center IndigoPro® merges your choice of products, allowing a custom-tailored system design of cameras, encoders and NVRs. Performing reliably, IndigoPro® allows for quick response times and accurate incident management.

With IndigoVision's Distributed Network Architecture, IndigoPro® supports an unlimited number of client workstation installs and NVRs connected to the system; supporting continuous system growth whatever the future might bring.

Control Center is IndigoVision's effective, scalable and robust security management solution. It has an intuitive interface that provides easy system setup and efficient administration, saving you both time and money. Relentless testing and quality control 365 days per year ensures strong foundations for a robust, trusted security management offering.

IndigoPro® delivers:

-  Up to 80 Device Connections
-  Unlimited Client Workstations
-  Unlimited NVR Connections

## Product Codes

Control Center	
IndigoVision Product CD/USB - Control Center Software	340003
IndigoPro® Single Device Connection License	340000-P
IndigoLite® to IndigoPro® - Upgrade Single Device Connection License	345000-LP
IndigoPro® - Migration - Single Device Connection License	341000-P
IndigoPro® - Demo - Single Device Connection License	346003-P

INDIGO PRO®

# Specification

General Specification	
Maximum Number of Device Connections	80
Number of Client Workstations	Unlimited (200 simultaneous connections per Site Database Server)
Number of NVR-AS Connections	Unlimited
Live Video	80 video streams (25 per screen)
GUI Themes	Light Mode / Dark Mode
Dynamic Profile Switching	✓
PTZ Control	✓
Client-Side Dewarping	✓****
Audio	Receive / Record / Transmit*
Video Resolutions	up to 20MP*
Video Compression Formats	MPEG-4* / H.265* / H.264* / MJPEG* / JPEG2000*
Video Compression Formats (Hardware Acceleration***)	H.264*/H.265*
Audio Compression Formats	Opus* / AAC* / G.711*
Snapshots	BMP / JPEG
Privacy Zones	✓
Sequences, Salvos and Guard Tours	✓
Pursuit Mode	✓
Playback	25 streams
Synchronised Playback	✓
Reverse Playback	✓
Thumbnail Overview	Time / Alarm / Bookmark / Motion* / Audio*
Incident Export	Incident Player / 3rd Party Player (.mp4)*
Storyboard Export	Export recordings from multiple cameras at different times, in any order.
Recording Schedules	✓
Watermarking	Digital watermarking on recording and export
Maps	Multi-layered maps (BMP / JPEG / PNG / DWG), Tile Server
Webpages	✓
Zones	Group multiple inputs into a single alarm
Event Inputs	Digital Input* / Analytics* / Network Loss / Video Loss* / Motion Detection*
Analytics Overlays	✓
Third Party Inputs	Through IndigoVision Integration Modules or IndigoVision Binding Kit
Alarm Video	Live and looped replay / Pre-alarm video / Alarm Groups
Actions on Event	Record / Email / Snapshot* / Move to Preset / Relay Output* / Audio*
Alarm Schedules	✓
Alarm Reports	✓
Bookmarking	✓
Motion and Audio Search	✓
Connect to LPR powered by InnoWare†	Receive events/alarms, and bookmarks
Alarm and Bookmark Search	✓
Support for CyberVigilant® in Camera	✓
Alarm Escalation	✓
Alarm Procedure Documents	HTML / Text / URL
System Alerts	✓
Audit Log	✓
Mobile Client	View live video and play back alarm video from ONVIF cameras, control PTZ cameras and manage alarms in web browser, Android or iOS app
Architecture	DNA (Distributed Network Architecture)
User Groups	✓
Access Permissions	Object and function based permissions
User Authentication	Windows authentication / Basic password
PC Monitors	4
Supported CCTV Keyboards	IndigoVision Surveillance Keyboard, Pelco KBD300A, Pelco CM9760-KBD, American Dynamics ADCC1100, American Dynamics AD2088, Panasonic WV-CU650 (Features may vary based on model)
Multiple Languages	10+ languages including; English, Chinese, French, German, Spanish
Matrix Numbering	1 - 9,999,999
Network Connection Types	TCP / UDP Unicast / UDP Multicast / HTTP / HTTPS^
Device Discovery	✓
Supported Cameras and Encoders	IndigoVision Ultra, BX and GX camera ranges, 9000 Range Encoders, Camera Gateway** and ONVIF Profile S conformant 3rd party cameras
Industry Open Standards	ONVIF Profile S
License Mechanism	Software License Key. Federated License Server supported.
Control Center Supported OS	Windows 10 ® 64-bit v1607 and later, Windows 8.1 ® 64-bit
Windows NVR-AS Supported OS	Windows Server 2019 ®, Windows Server 2016 ®, Windows Server 2012 R2 ®, Windows Server 2012 ®, Windows 10 ® 64-bit
License Server Supported OS	Windows Server 2019 ®, Windows Server 2016 ®, Windows Server 2012 R2 ®, Windows Server 2012 ®, Windows 10 ® 64-bit. The License Server is also available as part of the IndigoVision NVR-AS 4000 Linux appliances.
Site Database Server Supported OS	Windows Server 2019, Windows Server 2016, Windows Server 2012 R2, Windows 10 ® 64-bit v1607 and later, Windows 8.1 64-bit

\* Features may vary based on capabilities of the camera or encoder model. Please refer to the relevant product datasheets for details.

\*\* Please see our Camera Gateway Supported Cameras list for full details. \*\*\* For supported GPUs and resolutions, please refer to the Control Center Performance Reference Guide.

\*\*\*\* Supported cameras only. † Purchase product to be connected separately. ^ HTTPS is only supported on new Control Center v16.1 or later installations.



# Control Center v18.0 IndigoLite®


Your security solution of choice.

Control Center IndigoLite® merges your choice of products, allowing a custom-tailored system design of cameras, encoders and NVRs. Performing reliably, IndigoLite® allows for quick response times and easy management of video recordings.

With IndigoVision's Distributed Network Architecture, IndigoLite® supports an unlimited number of client workstation installs and NVRs connected to the system; supporting continuous system growth whatever the future might bring.

Control Center is IndigoVision's effective, scalable and robust security management solution. It has an intuitive interface that provides easy system setup and efficient administration, saving you both time and money. Relentless testing and quality control 365 days per year ensures strong foundations for a robust, trusted security management offering.

## IndigoLite® delivers:

-  Up to 40 Device Connections
-  Unlimited Client Workstations
-  Unlimited NVR Connections

## Product Codes

Control Center	
IndigoVision Product CD/USB - Control Center Software	340003
IndigoLite® Single Device Connection License	340000-L
IndigoLite® - Migration - Single Device Connection License	341000-L
IndigoLite® - Demo - Single Device Connection License	346003-L



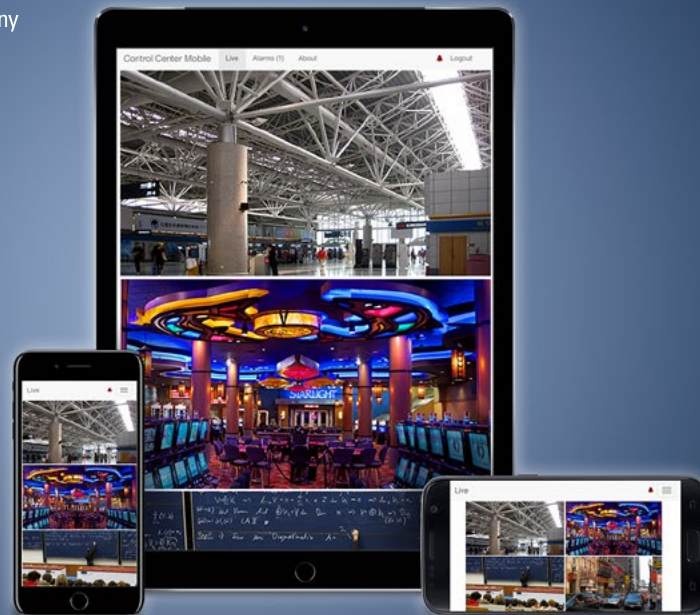
# Specification

General Specification	
Maximum Number of Device Connections	40
Number of Client Workstations	Unlimited (200 simultaneous connections per Site Database Server)
Number of NVR-AS Connections	Unlimited
Live Video	40 video streams (25 per screen)
GUI Themes	Light Mode / Dark Mode
Dynamic Profile Switching	✓
PTZ Control	✓
Client-Side Dewarping	✓ ****
Audio	Receive / Record / Transmit*
Video Resolutions	up to 20MP*
Video Compression Formats	MPEG-4* / H.265* / H.264* / MJPEG* / JPEG2000*
Video Compression Formats (Hardware Acceleration***)	H.264*/H.265*
Audio Compression Formats	Opus* / AAC* / G.711*
Snapshots	BMP / JPEG
Privacy Zones	✓
Playback	25 streams
Synchronised Playback	✓
Reverse Playback	✓
Thumbnail Overview	Time / Alarm / Bookmark / Motion* / Audio*
Incident Export	Incident Player / 3rd Party Player (.mp4)*
Storyboard Export	Export recordings from multiple cameras at different times, in any order.
Recording Schedules	✓
Watermarking	Digital watermarking on recording and export
Zones	Group multiple inputs into a single alarm
Event Inputs	Digital Input* / Network Loss / Video Loss* / Motion Detection*
Analytics Overlays	✓ UAD overlays are not available in IndigoLite
Alarm Video	Live and looped replay / Pre-alarm video / Alarm Groups
Actions on Event	Record / Email / Snapshot* / Move to Preset / Relay Output* / Audio*
Alarm Schedules	✓
Alarm Reports	✓
Bookmarking	✓
Motion and Audio Search	✓
Alarm and Bookmark Search	✓
Alarm Procedure Documents	HTML / Text / URL
System Alerts	✓
Audit Log	✓
Mobile Client	View live video and play back alarm video from ONVIF cameras, control PTZ cameras and manage alarms in web browser, Android or iOS app
Architecture	DNA (Distributed Network Architecture)
User Groups	✓
Access Permissions	Object and function based permissions
User Authentication	Basic password
PC Monitors	4
Supported CCTV Keyboards	IndigoVision Surveillance Keyboard, Pelco KBD300A, Pelco CM9760-KBD, American Dynamics ADCC1100, American Dynamics AD2088, Panasonic WV-CU650 (Features may vary based on model)
Multiple Languages	10+ languages including; English, Chinese, French, German, Spanish
Matrix Numbering	1 - 9,999,999
Network Connection Types	TCP / UDP Unicast / UDP Multicast / HTTP / HTTPS*
Device Discovery	✓
Supported Cameras and Encoders	IndigoVision Ultra, BX and GX camera ranges, 9000 Range Encoders, Camera Gateway** and ONVIF Profile S conformant 3rd party cameras
Industry Open Standards	ONVIF Profile S
License Mechanism	Software License Key
Control Center Supported OS	Windows 10 64-bit v1607 and later, Windows 8.1 64-bit
Windows NVR-AS Supported OS	Windows Server 2019®, Windows Server 2016®, Windows Server 2012 R2®, Windows Server 2012®, Windows 10 64-bit
License Server Supported OS	Windows Server 2019®, Windows Server 2016®, Windows Server 2012 R2®, Windows Server 2012®, Windows 10 64-bit. The License Server is also available as part of the IndigoVision NVR-AS 4000 Linux appliances.
Site Database Server Supported OS	Windows Server 2019, Windows Server 2016, Windows Server 2012 R2, Windows 10 64-bit v1607 and later, Windows 8.1 64-bit

\* Features may vary based on capabilities of the camera or encoder model. Please refer to the relevant product datasheets for details.

\*\* Please see our Camera Gateway Supported Cameras list for full details. \*\*\* For supported GPUs and resolutions, please refer to the Control Center Performance Reference Guide.

\*\*\*\* Supported cameras only. † Purchase product to be connected separately. ^ HTTPS is only supported on new Control Center v16.1 or later installations.



# Control Center Mobile

## Security management on-the-go

IndigoVision Control Center Mobile extends the security capabilities of Control Center far beyond the control room to provide situational awareness on the move. Security personnel can monitor live video, control PTZ cameras and manage alarms from any location over mobile and wireless IP networks using a mobile phone, tablet or PC-based web browser. Control Center Mobile synchronizes to the Control Center site database so that it always reflects the current system configuration.

- Familiar touch and swipe gestures
- High quality real-time video
- Full PTZ control
- Receive, acknowledge and clear alarms from Control Center
- Play back recorded video from the time of an alarm
- Available for Apple iPhone, iPad and Android compatible smartphones and tablets
- PC-based web browsers also supported (Firefox and Google Chrome)
- Supports ONVIF cameras from IndigoVision or 3rd parties
- Cyber secure by design - all communication encrypted





## Control Center Mobile Specification

IndigoVision Control Center Mobile is the application that runs on your mobile device. It is available for free download from Apple App Store and Google Play.

General Specification	Apple	Android
Mobile Devices	iPhone 5 or later, iPad 4 or later	Android smartphones and tablets
Mobile OS	iOS 10 or later	Android 6.0 or later
Supported Control Center versions	Control Center v17.0 and later	
Supported Cameras	IndigoVision Ultra range* BX Range, GX range Camera Gateway™ Video Stream Manager	
Supported Encoders	9000 Encoders running ONVIF firmware, BX Encoders, 3rd Party ONVIF Encoders	
Viewing Options	Single Pane, Multi-pane up to 2x2 layout	
PTZ Control	Pan, Tilt and Zoom using touch screen gestures Go to preset position	
Alarms	Receive, acknowledge and clear alarms from Control Center	
Alarm Video	Play back recorded video from 30 seconds before to 30 seconds after an alarm**	
Networks	Wi-Fi, 3G, 4G, IPv4, IPv6, Secure connection over HTTPS	
User Access	Supports full range of Control Center user access permissions	
Supported Live Video Codecs	H.264, H.263, MPEG-4, MJPEG	
Supported Alarm Video Codecs	H.264 (video) and AAC-LC (audio)	
Streaming Control	Where site database appropriately configured, Control Center Mobile will automatically use the lowest resolution configured for a given camera	

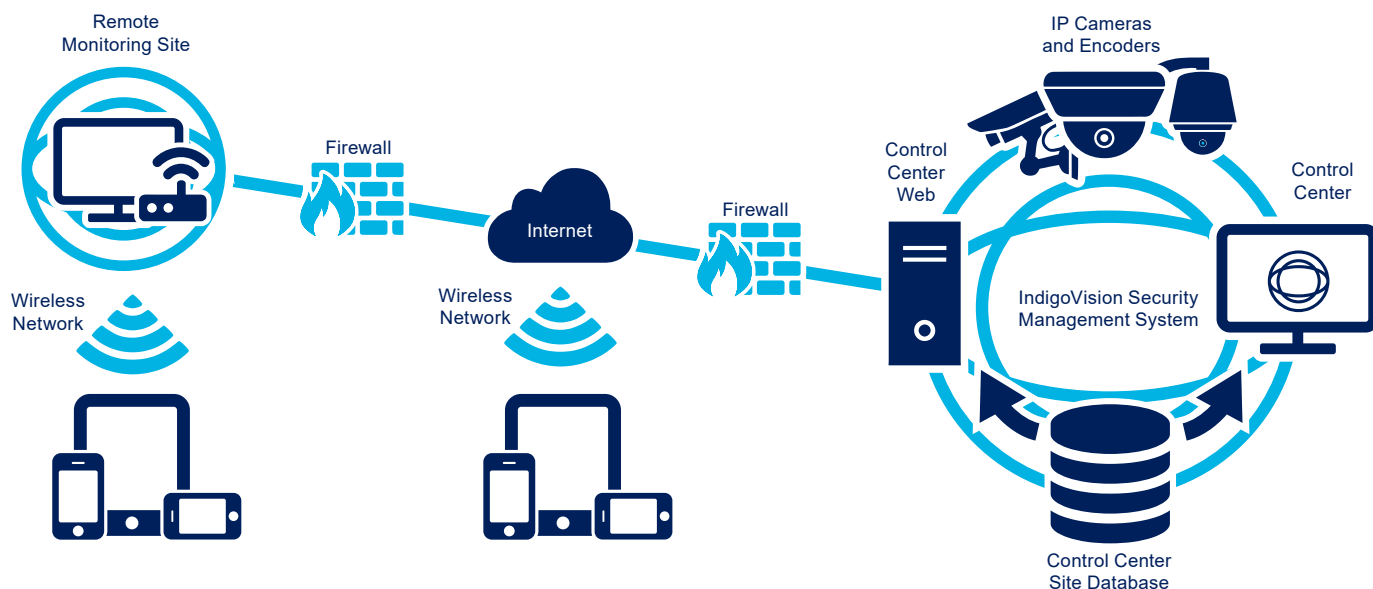
\* Excludes IndigoVision Ultra 5K. Ultra 2K range must be running v6 or later ONVIF compatible firmware.  
\*\*Supported camera resolutions dependent on mobile client display resolution.

## Control Center Web Specification

Control Center Web is the software that acts as a gateway between the Control Center System and your mobile device. Recommended hardware specifications for running Control Center Web are listed in the Control Center Performance Guide.

Control Center Web OS: Windows Server 2012 R2, Windows Server 2016, Windows Server 2019, Windows 10.

## Control Center Mobile Diagram

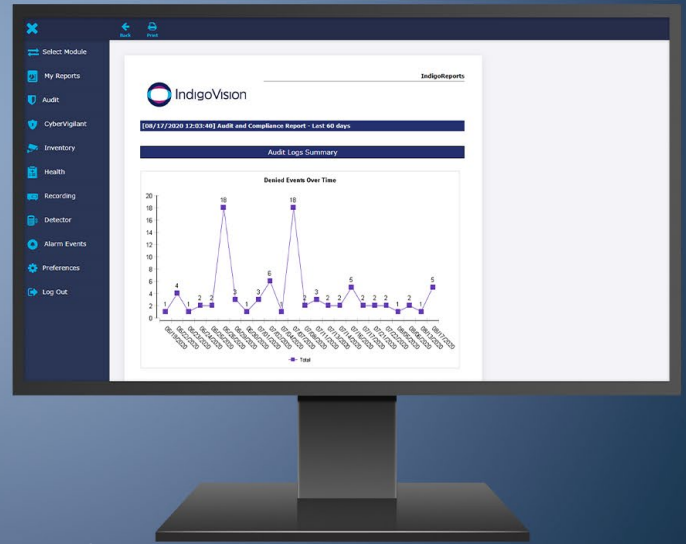




# IndigoReports

## for Control Center

Enhancing security through faster insights



IndigoReports helps organizations identify security risks, comply with data protection regulations, and ensure the health and uptime of their Control Center systems.

### Key Features

#### Audit Reports

- Turn audit logs into actionable intelligence to identify insider threats or misuse of security systems.
- Protect sensitive data by highlighting unauthorized activity and maintaining compliance with regulatory requirements.

#### Health Reports

- Ensure system-wide monitoring coverage by reporting on devices which aren't monitored by device fault detectors.
- Keep device firmware up-to-date to improve security and performance.
- Maintain time synchronization.
- Gain system-wide visibility of camera and recording status.

#### CyberVigilant Reports

- Indicators of Compromise (IoC) Dashboard quickly identifies activity which may be related to potential compromise or breach.
- Correlate CyberVigilant data with audit logs to defend against cyber attacks.

#### Incident Reporting

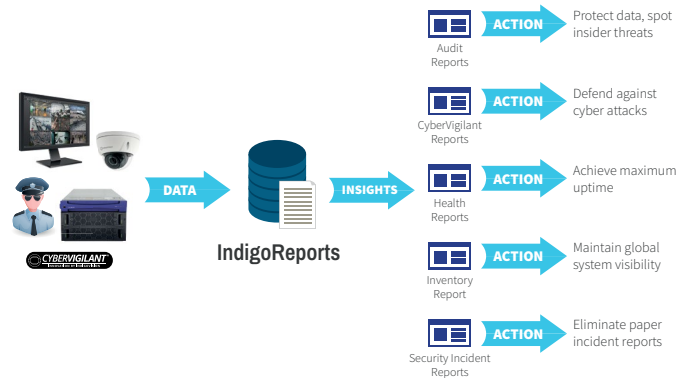
- Quickly document security incidents in detail.
- Associate Control Center users, cameras, alarm events, and audit log records with incident reports.
- Attach media including documents, audio, video, and more.

### Product Codes

IndigoReports	Product Codes
IndigoReports VMS Reporting module	340010
IndigoReports VMS Reporting module AND Incident Reporting module	340011

Regardless of size, a Control Center system comprised of a single site database only requires a single IndigoReports license.

IndigoReports is designed for use with Control Center v14.0 and later.

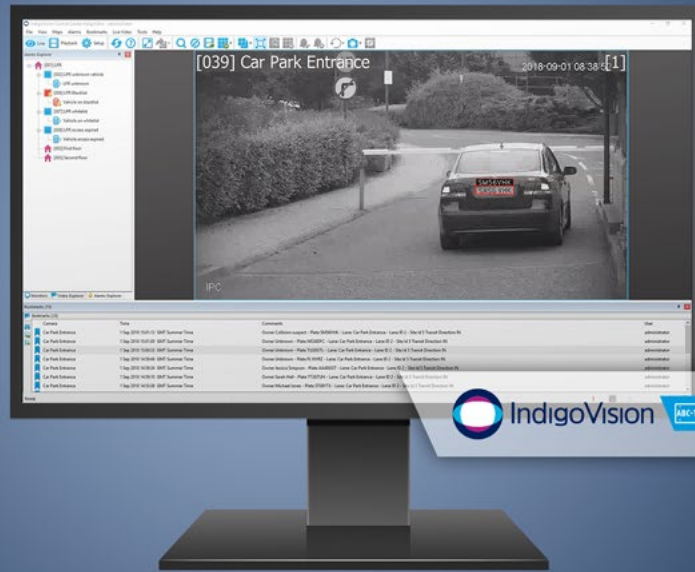


# VMS Reporting and Incident Reporting features

	VMS Reporting Module (340010)	VMS + Incident Reporting Module (340011)
<b>Reports</b>		
Audit	✓	✓
Health	✓	✓
Inventory	✓	✓
Detectors	✓	✓
Recent Alarms	✓	✓
Recording Status	✓	✓
CyberVigilant	✓	✓
Incidents		✓
<b>Features</b>		
Control Center integration	✓	✓
Canned reports (preconfigured)	✓	✓
Saved Reports (customized)	✓	✓
Search filters	✓	✓
E-mail (on-demand or scheduled)	✓	✓
Save As PDF, Word, PowerPoint, or Excel	✓	✓
Save as HTML		✓
Customizable Headers and Watermarks	✓	✓
Media file attachments		✓
Spell check		✓

System Requirements	
Processor	64-bit Intel processors
Memory	16GB RAM minimum
Storage	300GB (or more when Incident Reporting is used with media attachments) Hardware RAID controller recommended but not required
Supported Hardware	IndigoReports is recommended to be installed on a dedicated server or virtual machine (VM) which meet these requirements. It is possible to install IndigoReports on Windows-based NVR-AS4000 appliances which meet the requirements, but recording performance may be affected.
Supported Operating Systems	Windows 10 64-bit, Windows Server 2012 R2 64-bit, Windows Server 2016, Windows Server 2019
Supported Control Center Versions	IndigoVision Control Center v14.0 or later is required (English)
Supported Web Browsers (for clients)	Latest versions of Microsoft Internet Explorer, Google Chrome, Mozilla Firefox, and Apple Safari
CyberVigilant Requirements	The CyberVigilant report contains some elements designed specifically for CyberVigilant appliances, while some are designed specifically for cameras with CyberVigilant.  The IoC dashboard requires at least one CyberVigilant appliance AND one camera with CyberVigilant.  CyberVigilant Events by Camera require at least one camera with CyberVigilant.
Camera Requirements	All cameras supported by Control Center will be included in reporting, but the following report elements are designed for ONVIF Profile S conformant cameras and cannot support legacy cameras: <ul style="list-style-type: none"> <li>• Inventory: Firmware Versions by Model</li> <li>• Health: Cameras with NTP Server Configured</li> <li>• Some report features</li> </ul>
E-mail Requirements	An SMTP server is required for on-demand and scheduled report e-mails
Network Connectivity	The server where IndigoReports is installed must have network connectivity to the Control Center site database and all devices (cameras, NVRs, Alarm Servers) in the Control Center system

ID: INREP 21.0 FEB 21



# IndigoVision's LPR powered by InnoWare

Detect. Deter. Disrupt.

Integrated with IndigoVision Control Center, IndigoVision's LPR powered by InnoWare takes your system beyond traditional License Plate Recognition. Suitable for either parking lot applications or free-flowing traffic, IndigoVision's LPR reads plates with a high level of accuracy and is supported in most countries. Plate reads are indexed to recorded video from your IP cameras, allowing operators to search for full or partial license plates and instantly retrieve the associated recorded footage.

Bounding boxes and text overlaid on the video highlight the location of the license plate and show the plate that has been automatically read. An optional web interface is also available which can be displayed in Control Center's browser window, allowing users to search results, edit the blacklist and whitelist, view snapshots and thumbnail images of license plates, and locate cameras on maps.

## Key Features

CONTROL CENTER  
ACTING AS FRONT END



INTELLIGENCE



## Product Codes

LPR Software	Product Codes
Innovis LPR Single Lane Base License (Per Lane)	317430
InnoWeb LPR Management Suite	317432
InnoWeb LPR Management Per-Lane License	317433

# Specifications

General Specification	
IndigoVision System Software Requirements	Control Center v15.1 or later with IndigoUltra® or IndigoPro® license
Event and Alarm Integration Capability	Unidirectional flow of events and alarms from the LPR system into Control Center: Vehicle in blacklist, vehicle in whitelist, unknown vehicle, whitelist expired for vehicle Bookmarks automatically generated in Control Center. Integrated Data Records optionally generated in Control Center.*
Supported Camera Frame Rates	5 fps – 25 fps depending on application (stop / go or free flowing traffic)
Supported Resolutions	Size of a single Region of Interest must not exceed 4 Megapixel
Maximum Vehicle Speed	200km/h <sup>^</sup>
Database Support	Microsoft SQL Server 2015 or later (not required for single-site installations)

PC Specifications	
CPU	CPU Benchmark performance score of 2500 points per lane
RAM	1 GB per lane
Minimum HDD Space	500 GB
Supported Operating Systems	Windows Server 2016®, Windows Server 2012 R2®, Windows Server 2012®, Windows Server 2008 R2®, Windows 10® 64-bit, Windows 8.1® 64-bit

\* Integrated Data Records requires IndigoUltra® license. ^ Dependent on camera capabilities.

## Supported Countries

Albania	Indonesia	Portugal
Algeria	Ireland	Romania
Australia	Italy	Serbia
Austria	Latvia	Singapore
Belgium	Luxembourg	Slovakia
Bosnia	Macedonia	Slovenia
Bulgaria	Malaysia	Spain
Cambodia	Montenegro	Sweden
Croatia	Netherlands	Switzerland
Czech Republic	New Zealand	South Africa
France	Norway	Ukraine
Germany	Philippines	United Kingdom
Hungary	Poland	USA

## Software Upgrade Plan (SUP)

First year of SUP is included at no additional charge.

Annual Maintenance	Product Codes
SUP for Innovis LPR Single Lane Base License Per Lane (12 months)	417430
SUP for InnoWeb LPR Management Suite (12 months)	417432
SUP for InnoWeb LPR Management Per Lane (12 months)	417433
SUP for Innovis Lite LPR Single Lane License (12 months)	417434
Annual Maintenance Renewal	Product Codes
SUP Renewal for Innovis LPR Single Lane Base License Per Lane (12 months)	417430R
SUP Renewal for InnoWeb LPR Management Suite (12 months)	417432R
SUP Renewal for InnoWeb LPR Management Per Lane (12 months)	417433R





# COMPASS DECISION MANAGEMENT SYSTEM™

## ENSURING YOUR OPERATORS PERFORM AT THEIR BEST EVERY TIME

Motorola Solutions Compass Decision Management System™ offers an intuitive operational interface that supports the decision-making process for control room security operators. From a single pane of glass, it provides organizations with a companion application that helps to improve consistency and effectiveness of response actions, by presenting better insights from all their connected safety and security systems. Operators only have to follow step-by-step instructions, aided by video streams and audio calls for a prescriptive, consistent response every time.

### KEY FEATURES

#### STANDARD OPERATING PROCEDURES (SOPS)

Easily design and deploy custom SOPs so staff always know what actions to follow for both day-to-day and high impact incidents, including technical issues.

#### KEY PERFORMANCE INDICATORS

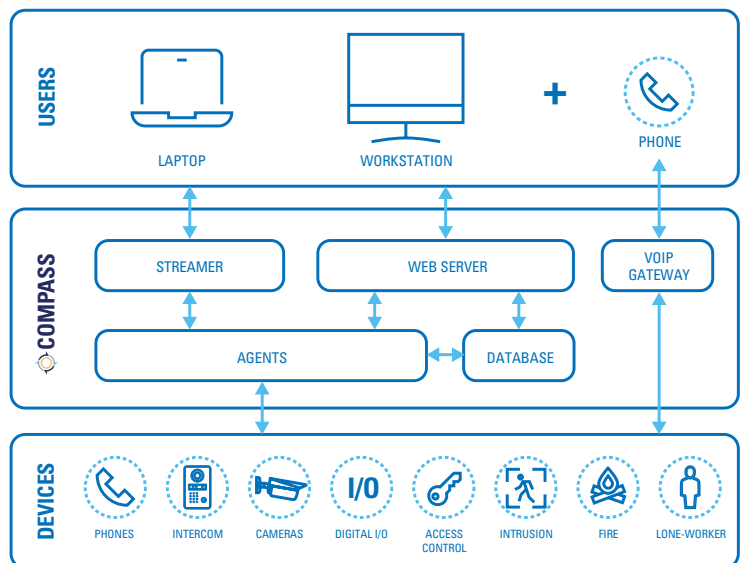
Team and service providers performances can be measured so that performance bottlenecks and training gaps can be detected.

#### AUTOMATED INCIDENT REPORTS

Compass automatically generates incident reports based on the execution of each SOP. This way, information is organized, auditable and easily accessible.

#### BUSINESS INTELLIGENCE

Compass helps organizations get the best return on investment from their assets by ensuring they are performing at their optimum level at all times.



# TECHNICAL REQUIREMENTS

## COMPASS CLIENT MINIMUM REQUIREMENTS

TYPE OF USER	CPU / RAM	WORKSTATION MONITORS	OPERATING SYSTEM	BROWSER	OTHER REQUIREMENTS
Control Room Operator	CPU: Intel® Core™ i7; RAM: 8 GB	2 monitors with 1280x1024 pixels	Microsoft Windows, Linux or Mac OSX	Google Chrome Latest Version or Mozilla Firefox Latest Version	Installation of HTTPS certificate to be provided by the End-User.
Control Room Supervisor	CPU: Intel® Core™ i5; RAM: 4 GB	One monitor with 1280x1024 pixels			If the Compass Joystick is used, a stand-alone Compass Joystick App needs to be installed as well (Microsoft Windows only).
System Configurator	CPU: Intel® Core™ i5; RAM: 4 GB	One monitor with 1280x1024 pixels			

## COMPASS SERVER MODELS

DESCRIPTION	PRODUCT CODES	CPU / RAM	STORAGE	OPERATING SYSTEM
Mid-Range Server	980320	CPU: 1 x Intel® Xeon® 8-core RAM: 64 GB	2TB SATA HDD	Windows Server® 2019 Standard
High-End Server	980321	CPU: 2 x Intel® Xeon® 16-core RAM: 96 GB	2TB SATA HDD	Windows Server® 2019 Standard

## VIRTUALIZATION

Compass can be installed in a virtual machine. The virtual machine operating system must be Windows Server 2019 Standard Edition. Note: VoIP Gateway is always supplied as a Linux virtual machine.

## FIREWALL AND NETWORK REQUIREMENTS\*

PRODUCT	DESCRIPTION	SOURCE	DESTINATION	PROTOCOL / IP PORT	COMPASS VERSIONS
	HTTPS access to Compass Server	Compass Client	Compass Server	TCP/443	1.4-2.0
	RTMP	Compass Client	Compass Server	TCP/1935	1.4
	Streamer	Compass Client	Compass Server	TCP/9000	2.0
	Instance Manager	Compass Client	Compass Server	TCP/9050	2.0
	SMTP	Compass Server	SMTP Server	TCP/587, TCP/25	1.4-2.0
Compass Client / Server and Compass VoIP	VoIP Gateway	Compass Server	VoIP Gateway	VPN/LAN (no firewall preferred), TCP/5038	
	VoIP Gateway	VoIP Gateway	End-User PBX	VPN/LAN (no firewall preferred), UDP/5060	
	VoIP Gateway	VoIP Gateway	End-User PBX	VPN/LAN (no firewall preferred), RTP 10000-20000	
	Google Maps API	Compass Client	*.googleapis.com	TCP/80	1.4-2.0
	Compass Joystick	Compass Client	Compass Server	TCP/443	1.4-2.0
Compass Videowall	Decoder Control	Compass Server	Compass Decoder	TCP/443	2.0
	Decoder Streaming	Compass Decoder	RTSP Source	TCP/554	2.0
	RTSP Server	Compass Decoder	Compass Server	TCP/554	2.0
Compass Failover	Database Synchronization	Compass Server Primary	Compass Server Secondary	TCP/3306	1.4-2.0
	DFS Replication	Compass Server Primary	Compass Server Secondary	Active Directory services	1.4-2.0

\* Each third-party integration will have specific firewall and network requirements not included in the table above.

## PRODUCT CODES

Compass Single Site Base License: 2 server licenses, 2 simultaneous users, from 1 to 5 sites	350001
Compass Multi-Site Base License: 2 server licenses, 2 simultaneous users, 6 or more sites	350002

See the Price List for a full list of Compass product codes.

**NOTE:** Specifications are correct at the datasheet date of issue and are subject to change without prior notice.

For more information, please visit [www.motorolasolutions.com/compass](http://www.motorolasolutions.com/compass)



Motorola Solutions Ltd. Nova South, 160 Victoria Street, London, SW1E 5LB, UK. [motorolasolutions.com](http://motorolasolutions.com)

MOTOROLA, MOTO, MOTOROLA SOLUTIONS and the Stylized M Logo are trademarks or registered trademarks of Motorola Trademark Holdings, LLC and are used under license. All other trademarks are the property of their respective owners. © 2021 Motorola Solutions, Inc. All rights reserved. 06-2021



# COMPASS SERVERS

## BRINGING CONTROL AND RELIABILITY TO YOUR SECURITY SYSTEM

Compass Servers are high-performance rack-mount servers that come with Motorola Solutions Compass Decision Management System™ pre-installed. The server is designed to protect your valuable security management information, while tolerating the failure of one of the hard drives without data loss. Windows Server 2019 operating system and Compass software are both installed on a SSD drive for improved resilience to disk faults. With powerful Intel Xeon CPUs, the Compass Server is well-suited for high-workload incident management requiring transcoding of multiple high-quality video streams from different sources to serve multiple simultaneous browser clients in the context of a busy control room. The server comes with Next Business Day service level, plus the Keep Your Hard Drive service that allows end-users to keep failed hard drives, so that any sensitive data stored inside will be kept under your control.

### KEY FEATURES

- Compass Decision Management System™ pre-installed
- Two redundant power supply units
- Two SATA drives for RAID-1 data storage
- Powerful Intel Xeon CPUs
- Next Business Day service
- Keep Your Hard Drive service



# GENERAL SPECIFICATIONS

	MID-RANGE SERVER	HIGH-END SERVER
<b>HARDWARE AND OPERATING SYSTEM</b>		
CPU	1 x Intel Xeon E-2288G 3.7GHz, 8 Cores / 16 Threads	2 x Intel Xeon Gold 5218 2.3GHz, 16 Cores / 32 Threads
RAM	4 x 16GB DDR4 ECC UDIMM, 2666MT/s	6 x 16GB RDIMM, 2666MT/s, Dual Rank
Operating System Drive	1 x 240GB SSD SATA	
Compass Data Storage	2 x 1TB 7.2K RPM SATA Drives managed by a PERC H330 RAID Controller	
Operating System	1 x Embedded Windows Server 2019 Standard	
Server Management	iDrac9	

<b>MECHANICAL</b>		
Form Factor	1U Rackmount Server	
Chassis	3.5" Chassis with up to 4 Hot Plug Hard Drives	
Rackmount Rails	1 x ReadyRails Sliding Rails Without Cable Management Arm	
Dimensions	Height: 42.8 mm (1.68") Width*: 434 mm (17.08") Depth*: 595.6 mm (23.45")	Height: 42.8 mm (1.68") Width*: 434 mm (17.08") Depth*: 714.6 mm (28.13")
Weight	13.6 kg (29.98lbs.)	17.6 kg (38.9lbs.)

\* Dimensions do not include bezel

<b>ELECTRICAL / ENVIROMENTAL</b>	
Power	100-240V AC. Dual Hot Plug Redundant Power Supply (1+1), 550W. Push button power switch at front.
Power Cord	2 x C13 to C14, PDU Style, 10 AMP, 6.5 Feet (2m), Power Cord
Operating Temperature	10°C to 35°C
Operating Humidity	10% to 80% (non-condensing)
Regulatory	EN 60950-1, IEC 60950-1, EN 62311, EN 55022, CISPR 22, EN 61000-3-2, EN 55024, IEC 61000-3-2 (Class D), EN 61000-3-3, IEC 61000-3-3, CISPR 24

<b>INTERFACES</b>	
Video output	1x VGA at rear
Serial Port	1x RS-232 at rear
Network interfaces	1x Broadcom BCM5720 NIC providing 2x 1Gb Ethernet (RJ45)
USB ports	2x USB 3.0 at rear, 1x USB 2.0 at front, 1x internal USB 3.0

<b>SERVICE</b>	
Basic Next Business Day	15 Months
ProSupport Plus and Next Business Day Onsite Service Initial	15 Months
ProSupport Plus and Next Business Day Onsite Service Extension	24 Months
Keep Your Hard Drive	39 Months

<b>PRODUCT CODES</b>	
Compass Mid-Range Server	980320
Compass High-End Server	980321

**NOTE:** Specifications are correct at the datasheet date of issue and are subject to change without prior notice.

For more information, please visit [www.motorolasolutions.com/compass](http://www.motorolasolutions.com/compass)



Motorola Solutions Ltd. Nova South, 160 Victoria Street, London, SW1E 5LB, UK. [motorolasolutions.com](http://motorolasolutions.com)

MOTOROLA, MOTO, MOTOROLA SOLUTIONS and the Stylized M Logo are trademarks or registered trademarks of Motorola Trademark Holdings, LLC and are used under license. All other trademarks are the property of their respective owners. © 2021 Motorola Solutions, Inc. All rights reserved. 06-2021





# COMPASS DECODER

## HIGH-PERFORMANCE VIDEO DECODING

Compass Decoder is the building block for Compass Decision Management System™-driven video-wall option. The Compass Decoder has two video outputs, each offering configurable mosaic layouts from full-screen to 4x4 channels. Compass operators can select their desired video content and configure camera sequences. Compass Decoders can also be configured in video-alarm mode, so that the cameras linked to the latest incidents are automatically displayed in selected channels.

### KEY FEATURES

- Two video outputs to drive video-wall content to two monitors
- Configurable mosaic layouts from full-screen to 4x4
- Low-latency video streaming directly from ONVIF/RSTP sources to avoid video transcoding in Compass Server
- Configuration modes: manual content, camera sequences and video-alarms (automated camera content triggered by incidents)
- Resilient high-performant appliance based in embedded Linux that boots from an internal USB drive and runs in RAM memory





## GENERAL SPECIFICATIONS

HARDWARE AND OPERATING SYSTEM	
CPU	Intel (R) Core (TM) i5-9500 3.0GHz to 4.4GHz, 6 Cores / 6 Threads
RAM	16GB DDR4, 2666MHz
Operating System Drive	USB Pen Drive (internally connected)
Operating System	Compass Decoder for two video outputs
Pre-installed Software	Full Screen, 2x2, 1+5, 3x3, 1+12, 4x4
Video Layouts (per video output)	16 channels in 1920x1080 @ 30 FPS (4x4 mode)
Video Codec	H.264

MECHANICAL	
Form Factor	Micro
Dimensions	Height: 182 mm (7.2"); Width: 36 mm (1.4"); Depth: 178 mm (7.0")
Weight	1.18 kg (2.6lbs.)

ELECTRICAL / ENVIRONMENTAL	
Power	100-240V AC. External, 130W. Push button power switch at front
Power Cord	Power Cord with 130W AC Adapter
Operating Temperature	10°C to 35°C
Operating Humidity	20% to 80% (non-condensing)
Regulatory	Environmental Standards (eco-labels): ENERGY STAR, EPEAT Registered9, TCO Certified, CEL, WEEE, Japan Energy Law, South Korea E-standby, South Korea Eco-label, EU RoHS, China RoHS14

INTERFACES	
Video output	<ul style="list-style-type: none"> <li>• 1 x HDMI 2.0b (rear), maximum resolution: 1980x1080 @ 60hz</li> <li>• 2 x DisplayPorts 1.2 (rear), maximum resolution: 1980x1080 @ 60hz</li> <li>• Compass Decoder allows two video outputs:               <ul style="list-style-type: none"> <li>Output 1: HDMI or DisplayPort</li> <li>Output 2: DisplayPort</li> </ul> </li> </ul>
Serial Port	1 x Serial + PS/2 (rear)
Network interfaces	1 x Intel i219-LM Gigabit Ethernet LAN 10/100/1000 (RJ45)
USB ports	<ul style="list-style-type: none"> <li>• 1 x USB 3.1 Gen 2 Type-C port with PowerShare (front)</li> <li>• 1 x USB 3.1 Gen 1 port with PowerShare (front)</li> <li>• 2 x USB 3.1 Gen 1 ports (one supports Smart Power On) (rear)</li> <li>• 2 x USB 3.1 Gen 2 ports (rear)</li> </ul>

SERVICE	
Basic Onsite Service Channel	39 Months
ProSupport Plus Accidental Damage Protection Commencing on Invoice Date Channel	39 Months
ProSupport Plus and Next Business Day Onsite Service Upgrade Channel	39 Months

ORDERING DETAILS	
Product Code	980110

**Note:** Specifications are correct at the datasheet date of issue and are subject to change without prior notice.

For more information, please visit [www.motorolasolutions.com/compass](http://www.motorolasolutions.com/compass)



Motorola Solutions Ltd. Nova South, 160 Victoria Street, London, SW1E 5LB, UK. [motorolasolutions.com](http://motorolasolutions.com)

MOTOROLA, MOTO, MOTOROLA SOLUTIONS and the Stylized M Logo are trademarks or registered trademarks of Motorola Trademark Holdings, LLC and are used under license. All other trademarks are the property of their respective owners. © 2021 Motorola Solutions, Inc. All rights reserved. 06-2021



# COMPASS JOYSTICK

## SPECIFICALLY DESIGNED FOR CRITICAL SECURITY INSTALLATIONS

The Compass Joystick provides advanced features such as a 3-axis Hall effect joystick, jog/shuttle dial, 27 user-defined pushbuttons and USB 2.0 interface for powerful control of video systems. The Compass Joystick is designed for resilience in demanding operational scenarios such as industry, utilities, banks, critical infrastructures, retail, logistics, transportation and education.



### KEY FEATURES

- Professional USB multifunction controller
- Non-contacting Hall effect technology
- Proportional three axis for PTZ control
- 27 tactile push buttons
- USB 2.0 HID compliant
- Jog / shuttle dial

## GENERAL SPECIFICATIONS

MECHANICAL	
Dimensions	Height: 110.74 mm (4.36") Width: 228.35 mm (8.99") Depth: 279.40 mm (11.0")
Weight	1.13 kg (2.9lbs.)
Operating Force	2.8 N (0.63 lbf)
Maximum Vertical Load	200 N (45 lbf)
Maximum Horizontal Load	200 N (45 lbf)
Joystick Mechanical Angle of Movement	36° X & Y axis, 80° Z axis
Jog/Shuttle Performance Spring Loaded Ring Travel	±40°
Knob Rotation	360°
Expected Mechanical Life	3 million lifecycles
Lever Action (centering)	Spring

MATERIALS	
Body	ABS
Shaft	Stainless steel
Boot	Silicone
Handle	Glass filled nylon

ELECTRICAL / ENVIRONMENTAL	
Operating Temperature	25 °C to +85 °C (-13 °F to +185 °F)
Storage Temperature	-25 °C to +85 °C (-13 °F to +185 °F)
Operating Humidity	20% to 80% (non-condensing)
Sealing	None
Regulatory	EMC Immunity Level: CE compliant, EMC directive 2004/108/EC, FCC Part 15 Subpart B

ORDERING DETAILS	
Product Code	110070

**Note:** Specifications are correct at the datasheet date of issue and are subject to change without prior notice.

For more information, please visit [www.motorolasolutions.com/compass](http://www.motorolasolutions.com/compass)



Motorola Solutions Ltd. Nova South, 160 Victoria Street, London, SW1E 5LB, UK. [motorolasolutions.com](http://motorolasolutions.com)

MOTOROLA, MOTO, MOTOROLA SOLUTIONS and the Stylized M Logo are trademarks or registered trademarks of Motorola Trademark Holdings, LLC and are used under license. All other trademarks are the property of their respective owners. © 2021 Motorola Solutions, Inc. All rights reserved. 06-2021



# CyberVigilant®

Intelligent Intrusion Detection Made Easy.

Part of IndigoVision's management hardware offering, CyberVigilant® protects your Control Center environment by detecting threats as they occur. Alarms are sent directly into Control Center enabling operators to respond immediately to a cyber-attack. CyberVigilant® connects to your managed edge network switch to monitor connected cameras, encoders and NVRs using Switched Port Analyzer (SPAN) functionality, sometimes called port mirroring or port monitoring. Support for tagged VLANs is included, and CyberVigilant® can also log alarms using Syslog, allowing integration with Security Information and Event Management (SIEM) systems.

## Key Features

INTELLIGENCE



OTHER



PHYSICAL



INTEGRATIONS

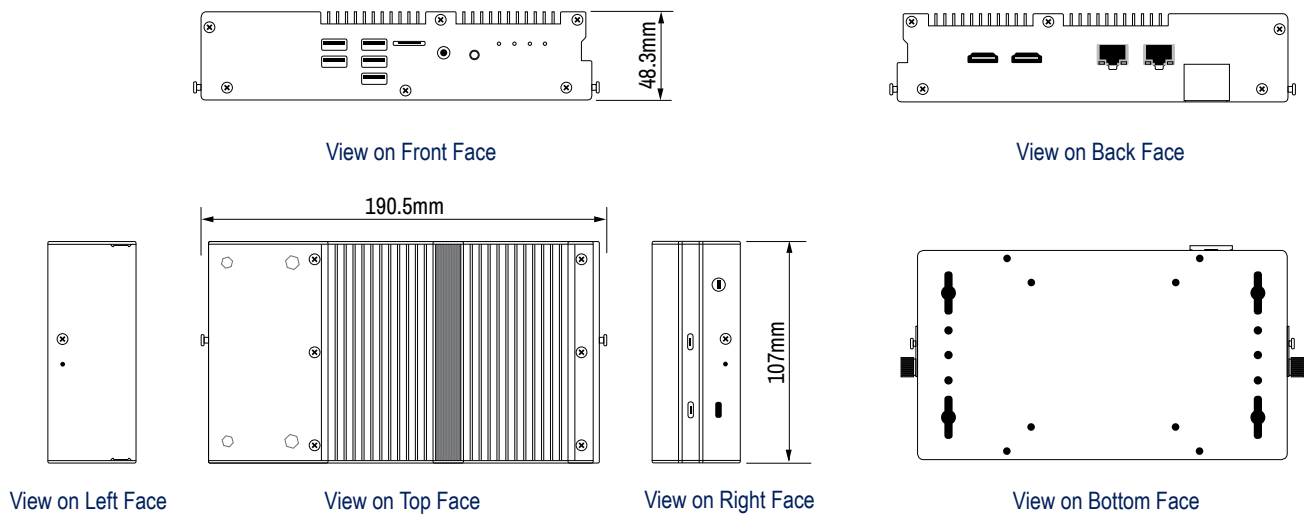


## Product Codes

CyberVigilant®	Product Code
CyberVigilant® 16 Channel	980710
CyberVigilant® 24 Channel	980720



## Dimensions



## Specifications

General Specifications	16 Channel	24 Channel
Performance (Ports Monitored)	16 independent	24 independent
Performance (Switch Uplink Throughput)	10Gbps egress, 30Mbps ingress	40Gbps egress, 45Mbps ingress
Alarms	Alarm management directly within Control Center	
Operating System	Embedded Linux	
Processor	Intel® Celeron® N3060 1.6-2.48Ghz 2MB Cache	
Memory	1GB DDR3L 1600MHz	2GB DDR3L 1600MHz
O/S Hard Disk	60GB mSATA	
USB	4 x USB 3.0 (Front); 1 x USB 2.0 (Front); for configuration only	
Network Interface	Dual Port 100/1000 BaseT RJ-45 Connections (management port and monitoring port)	
Network Security	SSH, HTTPS, Embedded Linux Firewall	
VLAN support	Optional filtering by 802.1Q tagged VLAN ID	
Remote Logging	Syslog UDP/514	
Network Switch Requirements	Switched Port Analyzer (SPAN), port mirroring or port monitoring configured to monitor ingress traffic only	
Video Interface	HDMI (v1.4b) for configuration only	
Dimensions/Weight	107mm (d) x 190.5mm (w) x 48.3mm (h) and 1.4kg	
Electrical	Internal 50W PSU, 100-240VAC, 50/60 Hz, Auto Switching	
Regulatory	CE, FCC, TUV	
Housing	Fanless aluminium extrusion with aluminium front / rear cover with Kensington Lock security	
Operating Temperature	0°C to 35°C	
Supplied Accessories	VESA/Wall Mountable Bracket, mains power cord	
IndigoVision Software Requirements	Control Center v15.2 or later	
IndigoVision License Requirements	Control Center License with CyberVigilant® feature	

## IndigoVision's CyberVigilant® Threat Detection and Supported Actions

Examples of Threat Detection
Unauthorized configuration access attempts
Network reconnaissance
Device access from unauthorised clients
Shell access
Use of unauthorised DNS, NTP and SMTP servers
Denial Of Service (DOS) attacks

Examples of Supported Actions
PTZ Camera moves to Preset
Video from one or more cameras displayed on operator's PC
Notification email sent
Recording of any camera started
CCTV site map pops up with event source highlighted
Two way audio connection established so operator can listen and talk to the source of the event
Relay triggered action initiated e.g. door opens or lights turn on

## Accessories

Accessories	Product Code
19" Rackmount Kit	110801





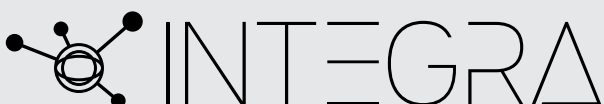
# Integra® Software

Control Center Performance. Intelligently Delivered.

IndigoVision Integra® packs a lot of power into a small package. Coming with Control Center, NVR-AS, License Server, NTP client/server, VPN and Control Center Web/Mobile Server pre-installed, Integra® is a fully-featured, self-contained security management solution with an intuitive and familiar interface.

Integra® (8, 16, 24) are pre-licensed with device licenses to match the number of PoE/PoE+ ports. No additional licenses are required to View or Record 8, 16 or 24 video channels on each Integra®. There is no mandatory Software Upgrade Plan (SUP) for Integra®. An “Integra® Software Upgrade (per device connection)” fee applies for customers wishing to upgrade to the next major software release.

Integra® can be used as a standalone device or connected together in a centrally managed system. An Integra® View Workstation is required to view more than one Integra®. As a fully-featured security management solution in its own right, Integra® is independent of IndigoLite®, IndigoPro® and IndigoUltra® systems. To add more cameras to an Integra® system, additional Integra® 8, 16 or 24 hardware is required.



# Specifications

General Specifications	
Number of Device Connections Included	8 / 16 / 24 to match number of PoE/PoE+ ports on the Integra®
Number of Client Workstations	Integra® combines a fully functional Control Center workstation with a PoE+ switch. An unlimited number of additional workstations can be connected if required.
GUI Themes	Light Mode / Dark Mode <sup>^</sup>
Dynamic Profile Switching	✓
PTZ Control	✓
Audio	Receive / Record / Transmit*
Video Compression Formats	MPEG-4* / H.265* <sup>^</sup> / H.264* / MJPEG*
Audio Compression Formats	AAC* / G.711*
Snapshots	BMP / JPEG
Privacy Zones	✓
Sequences, Salvos and Guard Tours	✓
Pursuit Mode	✓
Synchronised Playback	✓
Reverse Playback	✓
Thumbnail Overview	Time / Alarm / Bookmark / Motion* / Audio*
Incident Export	Incident Player / 3rd Party Player (.mp4)*
Recording Schedules	✓
Watermarking	Digital watermarking on recording and export
Maps	Multi-layered maps (BMP / JPEG / PNG / DWG), Tile Server
Webpages	✓
Zones	Group multiple inputs into a single alarm
Event Inputs	Digital Input* / Analytics* / Network Loss / Video Loss* / Motion Detection*
Third Party Inputs	Through IndigoVision Integration Modules or IndigoVision Binding Kit
Alarm Video	Live and looped replay / Pre-alarm video / Alarm Groups
Actions on Event	Record / Email / Snapshot* / Move to Preset / Relay Output* / Audio*
Alarm Schedules	✓
Alarm Reports	✓
Bookmarking	✓
Motion and Audio Search	✓
Connect to LPR powered by InnoWare†	Receive events/alarms, and bookmarks
Alarm and Bookmark Search	✓
Support for CyberVigilant® in Camera	✓
Alarm Escalation	✓
Alarm Procedure Documents	HTML / Text / URL
System Alerts	✓
Audit Log	✓
Mobile Client	View live video and play back alarm video from ONVIF cameras, control PTZ cameras and manage alarms in web browser, Android or iOS app
User Groups	✓
User Authentication	Windows authentication / Basic password
Keyboard Support	IndigoVision / Pelco / American Dynamics / Panasonic
Multiple Languages	10+ languages including: English, Chinese, French, German, Spanish
Matrix Numbering	1 - 9,999,999
Network Connection Types	TCP / UDP Unicast / UDP Multicast
Device Discovery	✓
Supported Cameras and Encoders	IndigoVision Ultra, BX and GX camera ranges, 9000 Range Encoders, Camera Gateway and 3rd Party Cameras**
Supported NVR types	IndigoVision NVR-AS 4000 only. 3rd party Windows NVRs cannot be used in an Integra® / Integra® View system
Industry Open Standards	ONVIF Profile S <sup>^^</sup>
License Mechanism	Software License Key
Operating System	Windows 10 Enterprise Edition 2016 LTSC
Pre-installed IndigoVision Software	Control Center, NVR-AS, License Server, Control Center Web/Mobile Server, IndigoVision VPN

\* Features may vary based on capabilities of the camera or encoder model. Please refer to the relevant product datasheets for details.

\*\* Please see our Control Center Supported 3rd Party Cameras list for full details.

† Purchase product to be connected separately.

<sup>^</sup> Requires software upgrade to version 16.0.

<sup>^^</sup> ONVIF communication is via HTTP, not HTTPS.



# Integra®

Control Center Performance. Intelligently Delivered.

The IndigoVision Integra® gives you the best of both worlds with a powerful workstation, integrated PoE switch and up to 24TB of storage for video recordings. Supporting up to two monitors, the IndigoVision Integra® can display up to 24 simultaneous video streams. Designed and configured for easy installation with performance guaranteed.

## Key Features

COMPRESSION



OTHER



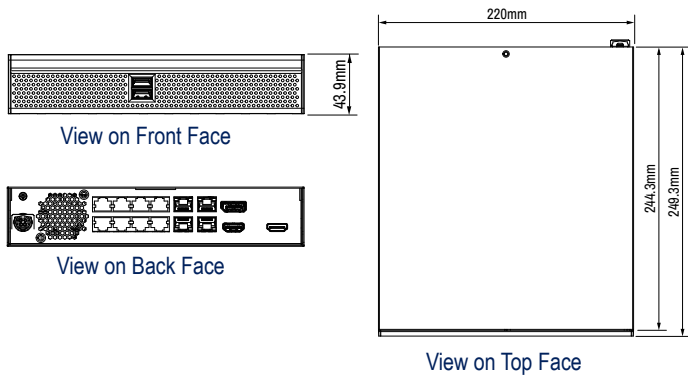
## Product Codes

Integra®	Product Code
Integra® 8, 2TB with 8 Camera License	980600
Integra® 8, 4TB with 8 Camera License	980601
Integra® 16, 6TB with 16 Camera License	980602
Integra® 16, 12TB with 16 Camera License	980603
Integra® 24, 18TB with 24 Camera License	980604
Integra® 24, 24TB with 24 Camera License	980605
Integra® Software Upgrade (per device connection)	321000

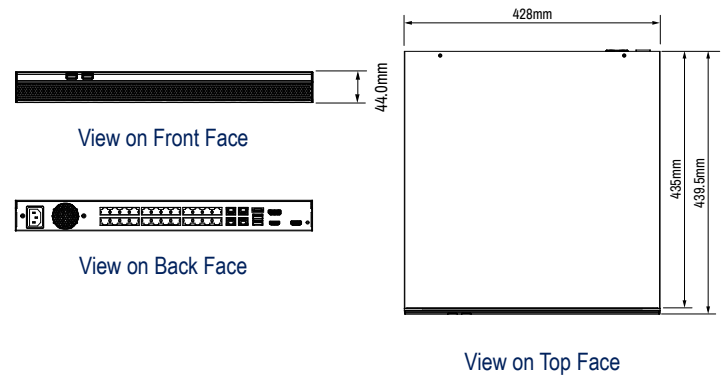
## Accessories

Accessories	Product Code
Integra® View Mini Workstation (up to 24 channels)	980610
Integra® View Mid Workstation (unlimited channels)	980613

## Dimensions: Integra® 8



## Dimensions: Integra® 16/24



## Specifications

General Specifications	Integra® 8		Integra® 16		Integra® 24	
<b>Device Connections</b>	8		16		24	
<b>Disk Capacity</b>	2TB	4TB	6TB	12TB	18TB	24TB
<b>Performance*</b>	8 recording streams, 1080p 30fps 4Mbps 4 live streams, 1080p 30fps 4Mbps 2 CC Mobile streams, 1080p 30fps 4Mbps OR 8 recording streams, 1080p 30fps 4Mbps 8 live streams, 4SIF 30fps 1Mbps 2 CC Mobile streams, 1080p 30fps 4Mbps OR 8 recording streams, 1080p 30fps 4Mbps 8 live streams, 1080p 30fps 4Mbps CC Web/Mobile Media Server powered off		16 recording streams, 1080p 30fps 4Mbps 16 live streams, 4SIF 30fps 1Mbps 2 CC Mobile streams 1080p 30fps 4Mbps OR 16 recording streams, 1080p 30fps 4Mbps 4 live streams, 1080p 30fps 4Mbps 3 CC Mobile streams, 1080p 30fps 4Mbps OR 16 recording streams, 1080p 30fps 4Mbps 8 live streams, 1080p 30fps 4Mbps CC Web/Mobile Media Server powered off		24 recording streams, 1080p 30fps 4Mbps 24 live streams, 4SIF 30fps 1Mbps 2 CC Mobile streams 1080p 30fps 4Mbps OR 24 recording streams, 1080p 30fps 4Mbps 4 live streams, 1080p 30fps 4Mbps 3 CC Mobile streams, 1080p 30fps 4Mbps OR 24 recording streams, 1080p 30fps 4Mbps 8 live streams, 1080p 30fps 4Mbps CC Web/Mobile Media Server powered off	
<b>Recording Throughput</b>	128Mbps		256Mbps		384Mbps	
<b>Playback Rate</b>	128Mbps		256Mbps		384Mbps	
<b>Operating System</b>	Windows 10 Enterprise Edition 2016 LTSB					
<b>Processor</b>	Intel Skylake i5			Intel Skylake i7		
<b>Memory</b>	8GB DDR4 (2x4GB)			16GB DDR4 (2x8GB)		
<b>O/S Hard Disk</b>				1 x 500GB Hard drive		
<b>Recording Hard Disk</b>	1 x 3.5" SATA surveillance hard drive			4 x 3.5" SATA surveillance hard drives (RAID5)		
<b>USB</b>	2x USB 3.0 3x USB 2.0			3x USB 3.0 2x USB 2.0		
<b>PoE Ports</b>	8x 10/100 (802.3at) PoE+ , 120W (max)		16x 10/100 (802.3at) PoE+ , 240W (max)		24x 10/100 (802.3at) PoE+ , 360W (max)	
<b>Uplink</b>	10/100/1000Mbps					
<b>Port Mirroring</b>	Many to one (Tx/Rx)					
<b>Switch Control</b>	Managed Switch via web page, DHCP Server, DHCP RelayAgent, STP, Link Aggregation, Port Mirroring, IGMP Snooping, 802.1Q VLAN, ACL, QoS					
<b>Video Interface</b>	On board Intel HD Graphics 530 2x HDMI (1080p), 1x DisplayPort (1080p), dual monitor output					
<b>Audio Interface</b>	Mic In, Headphone					
<b>Form Factor</b>	Small Form Factor			1U Rack Mount		
<b>Dimensions/Weight</b>	244.3mm (d) x 220mm (w) x 43.9mm (h) and 2.5kg			435mm (d) x 428mm (w) x 44mm (h) and 6.1kg		
<b>Electrical</b>	Operating Voltage: Input 100-240V ~ 47-63Hz; Power consumption: 200W (max). 56V power supply included		Operating Voltage: Input 100-240V ~ 47-63Hz; Power consumption: 420W (max)		Operating Voltage: Input 100-240V ~ 47-63Hz; Power consumption: 520W (max)	
<b>Regulatory</b>	EN 60068-2-1, EN 60068-2-2, EN 60068-2-30, EN 61000-4-2, EN 61000-4-3, EN 61000-4-4, EN 61000-4-5, EN 61000-4-6, EN 61000-4-8, EN 61000-4-11, EN 61000-6-4, EN 61000-3-2, EN 61000-3-3, EN 61000-6-2, FCC Part 15 subpart B, AS/NZS 61000.6.4, EN60068-2-6, EN60068-2-64, EN60068-2-27					
<b>Housing</b>	Mild Steel Chassis and Polycarbonate Fascia					
<b>Temperature</b>	Operating: 0°C to 40°C Storage: 0° to 50°C					
<b>Humidity</b>	10% to 90% non-condensing					
<b>Supplied Accessories</b>	HDD Caddy Keys, External Power Supply, Power Cable			HDD Caddy Key, Rack Mount Kit, Power Cable		
<b>Software Requirements</b>	Control Center, NVR-AS, License Server, CC Web/Mobile Server and IndigoVision VPN pre-installed. Integra® View Workstation required to view more than one Integra®					
<b>Warranty</b>	36 months					

\* Numbers achieved using H.264.



# Integra® View Workstation

Control Center Performance. Intelligently Delivered.

The IndigoVision Integra® View Workstation is designed and configured for easy installation and enables the connection and management of multiple Integra® as a single site. The Integra View Mid Workstation supports up to four monitors and has an Intel® Core™ i7 quad core processor with ample 16GB RAM. Designed and pre-installed with Control Center Integra® View each workstation delivers guaranteed performance.

## Key Features

COMPRESSION

<b>H.264</b>	<b>MJPEG</b>	<b>MPEG-4</b>	<b>AAC</b>	<b>G.711</b>
--------------	--------------	---------------	------------	--------------

OTHER

<b>DNA</b>	
------------	--

PHYSICAL

<b>TOWER</b>
--------------

## Product Codes

Integra® View Workstations	Product Code
Integra® View Mid Workstation (G2) (unlimited channels)	980613



# Specifications

General Specifications	Mid Workstation
Live Viewing Performance*	98 4SIF streams at 30fps, 18 HD streams at 30fps, 10 4MP streams at 30fps, 5 4K streams at 30fps
Playback Viewing Performance*	25 4SIF streams at 30fps, 11 HD streams at 30fps, 8 4MP streams at 30fps, 3 4K streams at 30fps
Operating System	Windows 10 64bit (IoT Enterprise Embedded 2016, Multi-Language)
Processor	Intel® Core™ i7 (3.2Ghz)
Memory	16GB DDR4 (2x8GB, 2666MHz)
O/S Hard Disk	256GB SSD (PCIe NVMe Class 40) plus 4TB 3.5in SATA
Network Interface	100/1000 BaseT RJ-45
Video Interface	Radeon Pro WX 2100 2GB supporting up to three HD or three 4K monitor output or five HD monitors if using DisplayPort MST
Audio Interface	HDMI, Mic In, Headphone, Line In/Out
Form Factor	Mini Tower Form Factor Chassis
Dimensions/Weight	345mm (d) x 176.6mm (w) x 335mm (h) and 9.36Kg
Electrical	460W (100 to 240 VAC, 50/60 Hz, auto switching). 90% efficient PSU (80PLUS Gold Certified Certified) Energy Star compliant
Regulatory	EN 60950-1, IEC 60950-1, EN 55022, CISPR 22, EN 61000-3-2, EN 55024, IEC 61000-3-2 (Class D), EN 61000-3-3, IEC 61000-3-3, CISPR 24
Housing	Mild Steel Chassis and Polycarbonate Fascia
Temperature	Operating: 10 °C to 35 °C Storage: -40° C to 65° C
Humidity	20% to 80% relative humidity (non-condensing)
Vibration	Operating: 5 Hz to 350 Hz at 0.0002 G <sup>2</sup> /Hz Storage: 5 Hz to 500 Hz at 0.001 to 0.01 G <sup>2</sup> /Hz
Shock	Operating: 40 G +/- 5% with pulse duration of 2 msec +/- 10% (equivalent to 51 cm/sec) Storage: 105 G +/- 5% with pulse duration of 2 msec +/- 10% (equivalent to 127 cm/sec)
Altitude	Operating: -15.2 m to 3048 m Storage: -15.2 m to 10,668 m
Supplied Accessories	USB Mouse, Regional Power Cord, 2 x mDP to DisplayPort cables, 8x Slimline DVD+/-RW Drive
Software Requirements	Control Center v15.3 will come pre-installed

## Accessories

Accessories	Product Code
Workstation Monitor 24in 1080p 60Hz	110390
Workstation Keyboard (USB) - US International	110385
Workstation Keyboard (USB) – UK English	110384
Workstation Keyboard (USB) – Spanish	110383
Workstation Keyboard (USB) – Italian	110382
Workstation Keyboard (USB) – German	110381
Workstation Keyboard (USB) – French	110380
Workstation Keyboard (USB) – Arabic	110386



# Hybrid NVR Workstation

Control Center Performance. Intelligently Delivered.

The IndigoVision Hybrid NVR Workstation gives you the best of both worlds with a powerful workstation and 8TB of space for you to record your video footage. Supporting up to four monitors, the IndigoVision Hybrid NVR Workstation can display up to 16 simultaneous HD full frame rate video streams. Designed and configured for easy installation of Control Center with performance guaranteed.

## Key Features

COMPRESSION

<b>H.264</b>	<b>JPEG 2000</b>	<b>MJPEG</b>	<b>MPEG-4</b>
--------------	------------------	--------------	---------------

<b>AAC</b>	<b>G.711</b>
------------	--------------

OTHER

<b>DNA</b>	
------------	--

PHYSICAL

<b>TOWER</b>
--------------

## Product Codes

Hybrid NVR Workstation	Product Code
Hybrid NVR Workstation 8TB (G2)	980628

## Specifications

General Specifications	
Live Viewing Performance	70 4SIF streams at 30fps, 16 HD streams at 30fps, 12 4MP streams at 20fps, 4 4K streams at 30fps
Playback Viewing Performance	25 4SIF streams at 30fps, 10 HD streams at 30fps, 8 4MP streams at 20fps, 3 4K streams at 30fps For complete live viewing performance specification please refer to the Control Center v15.0 Performance Reference Guide, available on the IndigoVision Partner Website
Recording Performance	20 Recording plus simultaneous playback of 10 streams
Recording Throughput	80 Mbps recording; 40 Mbps playback
Operating System	Windows 10 64-bit (IoT Enterprise Embedded 2016, Multi-Language)
Processor	Intel® Core™ i5 (3.0Ghz)
Memory	16GB DDR4 (2x8GB, 2666MHz)
O/S Hard Disk	1 x 256GB SSD (PCIe NVMe Class 40)
Recording Hard Disk	2 x 8TB 3.5in SATA (RAID 1)
Network Interface	100/1000 BaseT RJ-45
Video Interface	Radeon Pro WX 2100 2GB supporting up to three HD or three 4K monitor output or five HD monitors if using DisplayPort MST
Audio Interface	HDMI, Mic In, Headphone, Line In/Out
Form Factor	Mini Tower Form Factor Chassis
Dimensions/Weight	345mm (d) x 176mm (w) x 335mm (h) and 9.36Kg
Electrical	460W (100 to 240 VAC, 50/60 Hz, auto switching). 90% efficient PSU (80PLUS Gold Certified Certified) Energy Star compliant
Regulatory	EN 60950-1, IEC 60950-1, EN 55022, CISPR 22, EN 61000-3-2, EN 55024, IEC 61000-3-2 (Class D), EN 61000-3-3, IEC 61000-3-3, CISPR 24
Housing	Mild Steel Chassis and Polycarbonate Fascia
Temperature	Operating: 0 °C to 35 °C Storage: -40° C to 65° C
Humidity	Operating: 10% to 80% relative humidity (non-condensing) Storage: 10% to 95% relative humidity (non-condensing)
Vibration	Operating: 5 Hz to 350 Hz at 0.0002 G <sup>2</sup> /Hz Storage: 5 Hz to 500 Hz at 0.001 to 0.01 G <sup>2</sup> /Hz
Shock	Operating: 40 G +/- 5% with pulse duration of 2 msec +/- 10% (equivalent to 51 cm/sec) Storage: 105 G +/- 5% with pulse duration of 2 msec +/- 10% (equivalent to 127 cm/sec)
Altitude	Operating: -15.2 m to 3048 m Storage: -15.2 m to 10,668 m
Supplied Accessories	USB Mouse, Regional Power Cord, 2 x mDP to DisplayPort cables, 8x Slimline DVD+/-RW Drive
Software Requirements	This workstation requires installation of Control Center and NVR Software available separately from IndigoVision

## Accessories

Accessories	Product Code
Workstation Monitor 24in 1080p 60Hz	110390
Workstation Keyboard (USB) - US International	110385
Workstation Keyboard (USB) – UK English	110384
Workstation Keyboard (USB) – Spanish	110383
Workstation Keyboard (USB) – Italian	110382
Workstation Keyboard (USB) – German	110381
Workstation Keyboard (USB) – French	110380
Workstation Keyboard (USB) – Arabic	110386



# Platinum Client Workstation

Control Center Performance. Intelligently Delivered.

The IndigoVision Platinum Client Workstation is the ultimate performance workstation packed with Intel® Core™ Xeon processor, 32GB of high speed memory and Radeon Pro graphics. Supporting up to four monitors, the IndigoVision Platinum Client Workstation can display up to 25 simultaneous HD full frame rate video streams. Designed and configured for easy installation of Control Center with performance guaranteed.

## Key Features

COMPRESSION

<b>H.264</b>	 <b>H.264</b>	<b>JPEG 2000</b>	<b>MJPEG</b>	<b>MPEG-4</b>
--------------	---	------------------	--------------	---------------

 <b>AAC</b>	 <b>G.711</b>
---	---

OTHER

 <b>DNA</b>	
---	---

PHYSICAL

 <b>FULL</b>
--

## Product Codes

Platinum Client Workstation	Product Code
Platinum Client Workstation	980629

# Specifications

General Specifications	
Live Viewing Performance	100 4SIF streams at 30fps, 25 HD streams at 30fps, 17 4MP streams at 30fps, 6 4K streams at 30fps
Playback Viewing Performance	25 4SIF streams at 30fps, 15 HD streams at 30fps, 9 4MP streams at 30fps, 4 4K streams at 30fps For complete live viewing performance specification please refer to the Control Center v15.0 Performance Reference Guide, available on the IndigoVision
Operating System	Windows 10 64bit (IoT Enterprise 2016, Multi-Language)
Processor	Intel® Core™ Xeon (10 Core, 3.3Ghz)
Memory	32GB DDR4 ECC (4x8GB, 2666MHz)
O/S Hard Disk	256GB SSD (PCIe NVMe Class 40) plus 4TB 3.5in SATA
Recording Hard Disk	N/A
Network Interface	100/1000 BaseT RJ-45
Video Interface	Radeon Pro WX4100 4GB Quad mDP, supporting up to four HD or four 4K monitor output
Audio Interface	HDMI, Mic In, Headphone, Line In/Out
Form Factor	Full Tower Form Factor Chassis
Dimensions/Weight	518.3mm (d) x 176.5mm (w) x 417.9mm (h) and 15.4Kg
Electrical	950W, (100 to 240 VAC, 50/60 Hz, auto switching)
Regulatory	EN 60950-1, IEC 60950-1, EN 55032:2012/CISPR 32:2012, EN 55032:2015/CISPR 32:2015, EN 55024:2010 +A1:2015/CISPR 24:2010 +A1:2015, EN 61000-3-2:2014/IEC 61000-3-2:2014 (Class D), EN 61000-3-3:2013/IEC 61000-3-3:2013, EN 301 489-1 V2.2.0, DRAFT EN 301 489-3 V2.1.1
Housing	Mild Steel Chassis and Polycarbonate Fascia
Temperature	Operating: 10°C to 35°C Storage: -40°C to 65°C
Humidity	8% to 85% relative humidity (non-condensing)
Vibration	Operating: 5 Hz to 350 Hz at 0.52Grms Storage: 5 Hz to 500 Hz at 2.0Grms
Shock	Operating: 40 G +/- 5% with pulse duration of 2 msec +/- 10% (equivalent to 51 cm/sec) Storage: 105 G +/- 5% with pulse duration of 2 msec +/- 10% (equivalent to 127 cm/sec)
Altitude	Operating: -15.2 m to 3048 m Storage: -15.2 m to 10,668 m
Supplied Accessories	16x Slimline DVD+/-RW Drive, USB Mouse, Regional Power Cord, 4 x mDP to DisplayPort cables
Software Requirements	Control Center v15.3 (pre-installed)

## Accessories

Accessories	Product Code
Workstation Monitor 24in 1080p 60Hz	110390
Workstation Keyboard (USB) - US International	110385
Workstation Keyboard (USB) – UK English	110384
Workstation Keyboard (USB) – Spanish	110383
Workstation Keyboard (USB) – Italian	110382
Workstation Keyboard (USB) – German	110381
Workstation Keyboard (USB) – French	110380
Workstation Keyboard (USB) – Arabic	110386





# Mini Client Workstation

Control Center Performance. Intelligently Delivered.

The IndigoVision Mini Client Workstation is a small but powerful machine that is perfect when space is limited in your Control Room. Lightning fast boot times are made possible with a Solid State Hard Drive and 8GB of high speed memory. Designed and configured for easy installation of Control Center with performance guaranteed.

## Key Features

COMPRESSION

<b>H.264</b>	 <b>H.264</b>	<b>JPEG 2000</b>	<b>MJPEG</b>	<b>MPEG-4</b>
--------------	---	------------------	--------------	---------------

 <b>AAC</b>	 <b>G.711</b>
---	---

OTHER

 <b>DNA</b>	
---	---

PHYSICAL

 <b>MINI</b>
--

## Product Codes

Mini Client Workstation	Product Code
Mini Client Workstation	980631

# Specifications

General Specifications	
Live Viewing Performance	34 4SIF streams at 30fps, 5 HD streams at 30fps, 2 4MP streams at 30fps, 1 4K streams at 30fps
Playback Viewing Performance	25 4SIF streams at 30fps, 6 HD streams at 30fps, 3 4MP streams at 30fps, 1 4K streams at 30fps For complete live viewing performance specification please refer to the Control Center v15.0 Performance Reference Guide, available on the IndigoVision Partner Website
Operating System	Windows 10 64bit (IoT Enterprise 2019)
Processor	Intel® Core i5-9500
Memory	8GB DDR4 (2666MHz)
O/S Hard Disk	256GB SSD (PCIe NVMe Class 40)
Network Interface	100/1000 BaseT RJ-45
Video Interface	2x DisplayPort, Integrated Intel UHD Graphics supporting dual monitor output
Audio Interface	Mic In, Headphone, Line Out
Form Factor	Compact Micro Form Factor Chassis
Dimensions/Weight	178mm (d) x 36mm (w) x 182mm (h) and 1.18Kg
Electrical	130W Adaptor (100 to 240 VAC, 50/60 Hz, auto switching). Minimum Efficiency > 87%, ENERGY STAR compliant
Regulatory	EN 60950-1, IEC 60950-1, EN 55032:2012/CISPR 32:2012, EN 55032:2015/CISPR 32:2015, EN 55024:2010 +A1:2015/CISPR 24:2010 +A1:2015, EN 61000-3-2:2014/IEC 61000-3-2:2014 (Class D), EN 61000-3-3:2013/IEC 61000-3-3:2013, DRAFT EN 301 489-1 V2.2.0, DRAFT EN 301 489-17 V3.2.0
Housing	Mild Steel Chassis and Polycarbonate Fascia
Temperature	Operating: 10°C to 35°C Storage: -40°C to 65°C
Humidity	20% to 80% relative humidity (non-condensing)
Vibration	Operating: 5 Hz to 350 Hz at 0.0002 G <sup>2</sup> /Hz Storage: 5 Hz to 500 Hz at 0.001 to 0.01 G <sup>2</sup> /Hz
Shock	Operating: 40 G +/- 5% with pulse duration of 2 msec +/- 10% (equivalent to 51 cm/sec) Storage: 105 G +/- 5% with pulse duration of 2 msec +/- 10% (equivalent to 127 cm/sec)
Altitude	Operating: -15.2 m to 3048 m Storage: -15.2 m to 10,668 m
Supplied Accessories	USB Mouse, Regional Power Cord
Software Requirements	Control Center v16.0 (pre-installed)

## Accessories

Accessories	Product Code
Workstation Monitor 24in 1080p 60Hz	110390
Workstation Keyboard (USB) - US International	110385
Workstation Keyboard (USB) – UK English	110384
Workstation Keyboard (USB) – Spanish	110383
Workstation Keyboard (USB) – Italian	110382
Workstation Keyboard (USB) – German	110381
Workstation Keyboard (USB) – French	110380
Workstation Keyboard (USB) – Arabic	110386



# IndigoVision®

a Motorola Solutions Company



## Workstation Monitor

Complete clarity and versatility

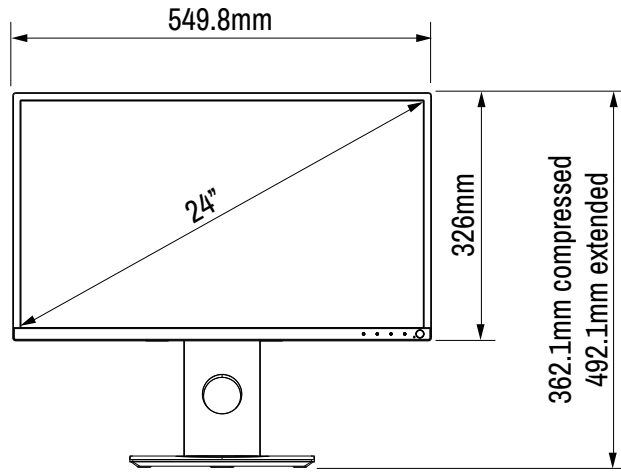
IndigoVision's 24" Workstation Monitor is designed for pixel-perfect clarity and purpose-built for workspace versatility with full tilt, height, angle, and even complete rotation for portrait setup. Stunning visuals guaranteed and perfected to work with IndigoVision's Mini Client, Pro Client, Platinum Client, and Hybrid NVR Workstations.

- Purposefully designed for comfort and convenience
- Enjoy full adjustability to pivot, tilt, height adjustment and swivel to suit your needs
- Excellent picture quality and consistent color representation
- Maximise your security potential with IndigoVision's Mini Client, Platinum Client, and Hybrid NVR Workstations

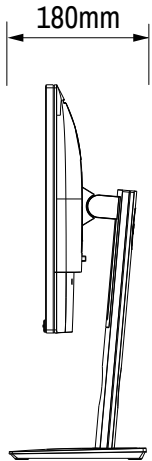
### Product Code

Workstation Monitor	Product Code
Workstation Monitor 24in 1080p 60Hz	110390

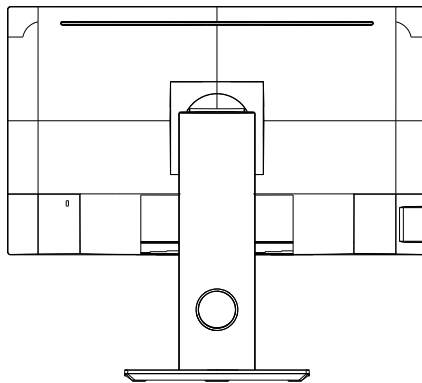
## Dimensions



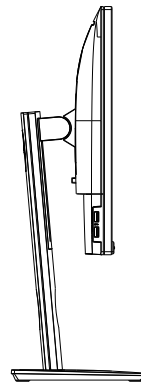
View of Front Face



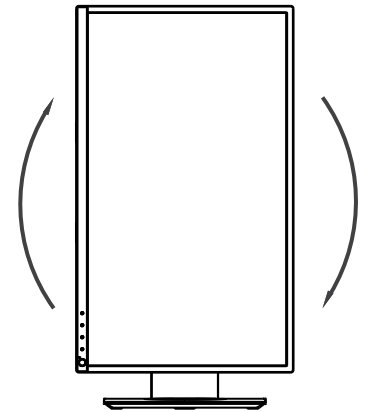
View of Left Side



View of Back



View of Right Side



Swivel Configuration

## Specification

General Specification	
Display Type	LED-backlit LCD monitor / TFT active matrix 24"
Energy Class	Class A+
Built-in Devices	USB 3.0 hub
Aspect Ratio	Widescreen - 16:9
Native Resolution	Full HD (1080p) 1920 x 1080 at 60 Hz
Pixel Pitch	0.275 mm
Brightness	250 cd/m <sup>2</sup>
Contrast Ratio	1000:01:00
Colour Support	16.7 million colours
Response Time	6 ms (grey-to-grey)
Horizontal Viewing Angle	178°
Vertical Viewing Angle	178°
Screen Coating	Anti-glare, 3H Hard Coating
Backlight Technology	LED backlight
Features	Ultra wide viewing angle, Premium Panel Guarantee, Dell Easy Arrange, Dell ComfortView
Dimensions (WxDxH) and Weight	549.8 mm (w) x 362.1 mm (h) x 180.0 mm (d) w/ stand compressed or 492.1 mm (h) w/ stand extended, 5.89 kg
Display Position Adjustments	Height, pivot (rotation), swivel, tilt
Connectivity	HDMI, DisplayPort, VGA, 2 x USB 3.0, 2 x USB 2.0
Cables Included	1 x VGA cable, 1 x DisplayPort cable, 1 x SuperSpeed USB cable
Electrical	AC 120/230 V (50/60 Hz)
Compliant Standards	TCO Displays
ENERGY STAR Certified	Yes



# IndigoVision®







a Motorola Solutions Company



## Surveillance Keyboard

### Who needs a mouse?

IndigoVision's Surveillance Keyboard is used to access Control Center's Virtual Matrix and IP Video Wall. The Control Center Virtual Matrix allows the Surveillance Keyboard to control IndigoVision and most third party PTZ cameras including Pelco and Panasonic.

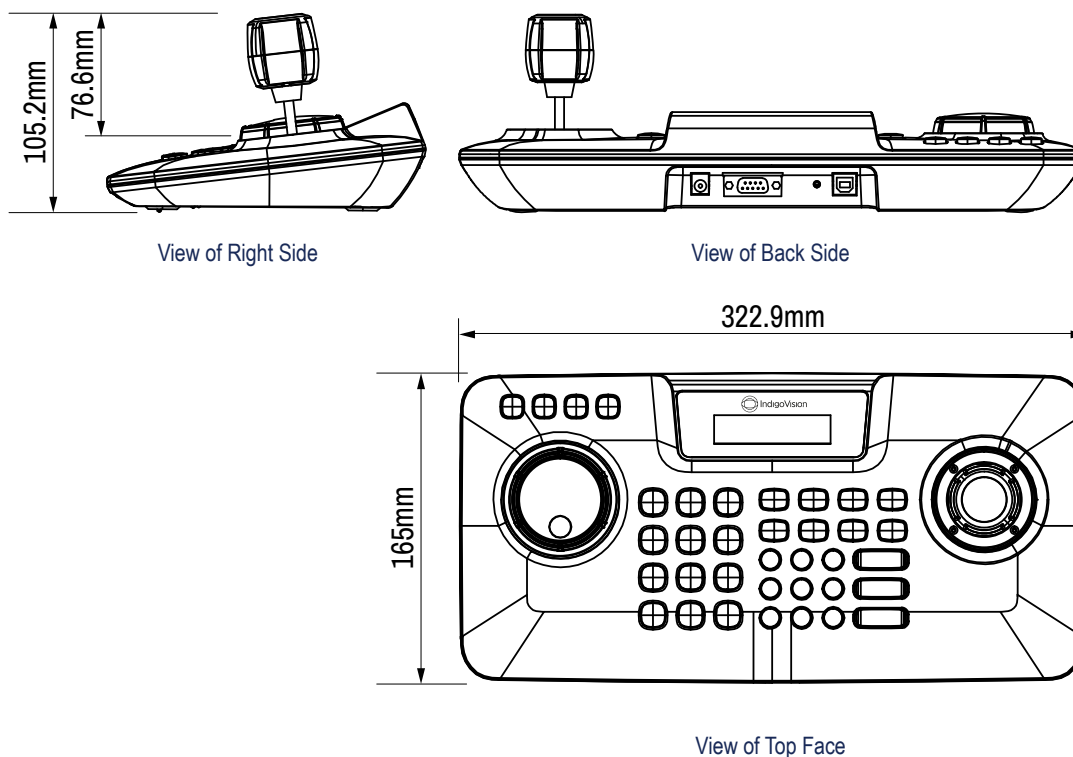
-  Seamless control of live and recorded video
-  Desktop keyboard with 3-axis joystick (pan/tilt/zoom)
-  Full variable PTZ control of speed domes
-  Full control of Control Center virtual matrix
-  Multi-function keys
-  LCD graphic display

### Product Code

Surveillance Keyboard	Product Code
Surveillance Keyboard	110078



## Dimensions



## Specification

General Specification	
Control	Proportional 3 axis joystick plus jog / shuttle dial
Numeric Keypad	12 Keys
Multi-function Keypad	24 Keys
LCD Graphic Display	16x2 LCD Screen
LCD Backlit	Yes
Keyboard Power Supply	5v DC USB / 12V DC Power supply (included)
Power Consumption	1.1W
Operating Temperature	0°C to 40°C
Dimensions/Weight	165.0mm (d) x 332.9mm (w) x 105.2mm (h) x and 800g
RS232 connections	1 Serial Line (COM) Female DB9 Connector (Included)
Regulatory	CE, FCC



# IP Video Wall

Build your own control rooms, cost effectively and scalably

Using IndigoVision's IP Video Wall software, a video wall can be constructed using multiple workstations, each of which displays up to 100 panes of video across four monitors. The video wall is controlled over an IP network by an unlimited number of operator workstations. Large video walls are constructed using as many video wall workstations as necessary. The video wall is managed from operator Control Center workstations through a standard CCTV keyboard or Control Center. Monitors within the video wall can be used to display a variety of information; Video, Salvos, Maps, Alarm Video.

- Construct video walls using any PC monitors e.g. CRT, Plasma, LCD, HD TV
- Controlled using standard CCTV keyboards or Control Center
- Supports SD, HD and higher resolutions up to 20MP
- Display video, maps and alarm video
- Dynamically change the pane layout of a monitor

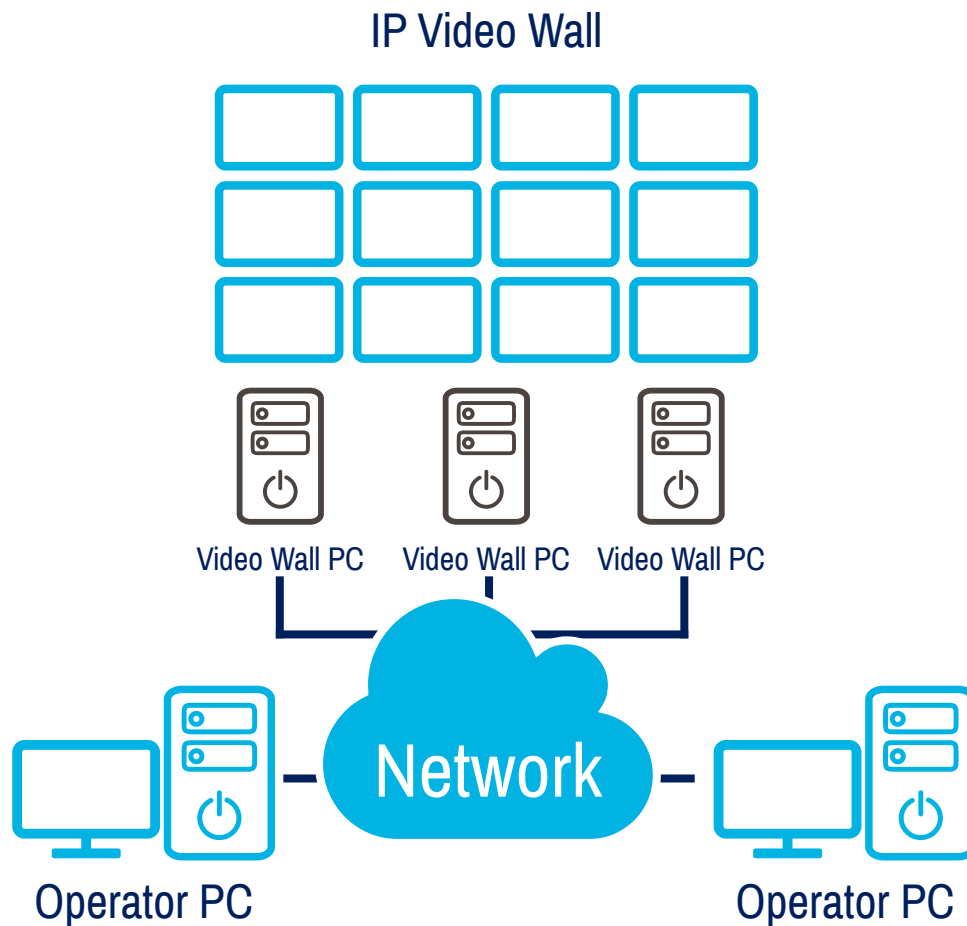
## Product Code

IP Video Wall	Product Code
IP Video Wall License	317420

# Specification

General Specification	
Operator PCs	Unlimited
Video Wall PCs	Up to 98 individually licensed PCs
Maximum Monitors per Video Wall PC	4
Maximum Panes per Monitor	25
Maximum Total Video Wall Panes	9800
Supported CCTV Keyboards	IndigoVision Surveillance Keyboard, Pelco KBD300A, American Dynamics ADCC1100, American Dynamics AD2088, Panasonic WV-CU650
Supported Actions	From keyboard: Select live camera into pane, Stop video on pane, Pan/Tilt/Zoom/Focus/Iris/Preset control, Sequence control (start/stop/pause/next/previous), Salvo control (start/stop), Guard Tour control (start/stop), Change pane layout. From Control Center: Push live video currently displayed in Control Center to video wall, including pane layout.
Supported Operating Systems	Windows 8.1® 64-bit, Windows 10® 64-bit
Licensing mechanism	Software license
Supported Network	Windows Domain

## IP Video Wall Diagram





# AI



## Detect, verify, and act on critical events

IndigoVision's Artificial Intelligence (AI) technology allow you to zero in on the seconds of relevant footage that are required to accelerate your investigations by improving operational efficiency and maximizing your operators' resources. AI carries out the mundane tasks for your team, such as monitoring blacklists, alerting operators only when a critical action needs to be taken. AI sends alerts for the moments your team can't monitor in real time: from the precise moment an object was left abandoned in a waiting room, or the last known location and direction of travel of a suspect. Condensing hours of footage down into the relevant moments allows operators to resolve investigations faster, based on identifying factors such as gender, clothing, colours and object type.

The benefits of AI don't have to end with your security investigations: the latest computer vision and deep learning technology lets you analyze your current processes and enact operational efficiencies. Use data based on customer dwell times and common paths within retail outlets to best position your products for maximum sales. Recognize busy periods in your Casino through the use of heat maps, so you can open tables in expectation of higher demand and efficiently organize rotas to maximize the use of your staff resources.

Adapting to the new normal, instilling confidence and promoting healthy and safe environments for your customers and employees could not be easier with IndigoKiosk AI. Automate occupancy management to ensure the optimum levels for social distancing and face mask detection.

# ARTIFICIAL INTELLIGENCE INDEX

## **Artificial Intelligence powered by BriefCam** 42

- From 50 Cameras
- Filter by multiple object classes
- Heat-maps for activity or inactivity
- Identify common paths
- Facial recognition
- Near-live alerts in BriefCam user interface
- Business intelligence

## **Video Processing Server** 44

- Designed to process video for the IndigoVision Artificial Intelligence powered by BriefCam
- Supports up to ten simultaneous BriefCam RapidReview and Insights users
- Process up to 500 hours of video per day





# Artificial Intelligence powered by BriefCam

BriefCam's powerful video analytics software uses the latest computer vision and deep learning technology to deliver innovative, market-leading security and operational efficiencies. Integrating with IndigoVision's security management solution, BriefCam extracts the value from recorded video.

The Review module enables quick video review and search capability, dramatically shortening your time-to-target. Condense hours of video from NVRs in your IndigoVision installation into just a few minutes, presenting only the items of interest to the operator. Produce exportable reports of your results, fully annotated. Search across multiple video sources for people and vehicles of interest and identify similar looking objects, including through the use of face recognition.

The Research module available in BriefCam Insights and Protect software provides comprehensive Business Intelligence, allowing you to make informed decisions to optimize your business operations. Visualize key performance indicators and perform trend analysis based on the classification of extracted video objects. Quantify the number of objects entering or dwelling within user-defined areas, travelling or dwelling along user-defined paths, or travelling between areas. Use out-of-the-box dashboards or customize them to your specific use cases. Drill down to reveal further quantitative video insights, and schedule dashboard generation on a daily, weekly or monthly basis if desired.

The Respond module, also available in BriefCam Insights and Protect, enables alerts to be triggered in the BriefCam software and in Control Center in near real-time. Alert triggers include face recognition, objects in area, and class categories such as person, two-wheeled and other vehicles.

## Key Features



**BriefCam**

## Product Codes

BriefCam Software	Product Codes
BriefCam RapidReview Base License. Includes 2 concurrent users and 50 channels	317450
BriefCam RapidReview pack of 10 Additional Cameras (REVIEW)	317471
BriefCam Insights Base License. Includes 5 concurrent users and 100 channels	317451
BriefCam Insights pack of 10 Additional Cameras (REVIEW)	317472
BriefCam Insights pack of 10 Additional Cameras (RESPOND)	317473
BriefCam Insights 1 Additional User (REVIEW/RESPOND)	317452
BriefCam Insights 5 Additional Users (1 x Editor; 4 x Viewer) (RESEARCH)	317474
BriefCam Insights Processing Expansion Pack	317475
BriefCam Protect Base License. Includes 5 concurrent users and 100 channels	317476
BriefCam Protect pack of 10 Additional Cameras (REVIEW)	317477
BriefCam Protect pack of 10 Additional Cameras (RESPOND)	317478
BriefCam Protect 1 Additional User (REVIEW/RESPOND)	317479
BriefCam Protect 5 Additional Users (1 x Editor; 4 x Viewer) (RESEARCH)	317480
BriefCam Protect Processing Expansion Pack	317481
BriefCam Annual Maintenance at 20% of total software cost	317456
BriefCam Annual Maintenance - Year 2	317484
BriefCam Annual Maintenance - Year 3 onwards	317485
BriefCam Basic Service Pack	317483
Server	Product Code
Video Processing Server 128GB, Dual GPU + Hardware ProSupport Plus	980432

## Software Variants

Feature	RapidReview	Insights	Protect
Video Input	VMS Only	VMS Only	VMS + standard video files
No. of Included Concurrent Users	2	5	5
No. of Included Cameras	50	100	100
Max no. of Cameras	200	Unlimited	Unlimited
Review module	Yes	Yes	Yes
Multi-camera Search	Yes	Yes	Yes
Investigation Reports	Yes	Yes	Yes
Team Collaboration	Yes	Yes	Yes
Case Builder	Yes	Yes	Yes
Face Recognition	Yes (post-event only)	Yes	Yes
Research module (includes 1 x Editor user and 4 x Viewer users)	-	Yes	Yes
Respond module (includes 10 cameras)	-	Yes	Yes

## Specifications

Supported Resolutions	Minimum CIF, Maximum 4K
Supported Frame Rates	8-30 frames per second
Supported Camera Types	Fixed cameras as supported in IndigoVision Control Center. Ultra 5K, Fisheye and body-worn cameras not supported.
Face Recognition	Minimum Face Size: 24x24 pixels
Event and Alarm Integration Capability	Unidirectional flow of events from BriefCam Respond module into Control Center. Events from ONVIF cameras only.
IndigoVision Software Requirements	Control Center v15.0 or later, with IndigoUltra® license
Supported Operating Systems	Windows Server 2019, Windows Server 2016, Windows 10 Pro
Supported Browsers	Google Chrome Desktop , Firefox

## Object Filters

Filter by camera, time range, object size, speed, direction, dwell time. Additionally, filter by:

Class	People: Man, Woman, Child Two-Wheeled Vehicle: Bicycle, Motorcycle Other Vehicles: Car, Pickup, Van, Truck, Bus, Train, Airplane, Boat Animals: Various Illumination Changes: Lights On, Lights Off
Attribute	Bags: Backpack, Hand Held, No Bag Hats: Hat, No Hat Upper Wear: Long Sleeves, Short Sleeves, Colors Lower Wear: Long, Short, Colors
Colour	Any combination of Brown, Red, Orange, Yellow, Green, Cyan, Blue, Purple, Pink, White, Gray, and Black
Area	Objects included or excluded within one or more user-defined polygon areas
Path	Objects travelling along one or more user-defined paths
Heat Maps	Activity, Dwell, Path, Background Changes
Face Recognition	View all faces or search by face match, external image or watchlist
Appearance Similarity	Identify similar looking people or vehicles across one or more videos

## Hardware Requirements

BriefCam uses per-camera licensing, and hardware sizing is calculated according to peak usage requirements. The necessary computing power is dependent on concurrent camera processing volumes and the number of hours of video footage to be processed per hour.

In all cases, please contact your IndigoVision Sales Engineer for assistance with specifying the hardware required to run BriefCam for your specific requirements.



# Video Processing Server

Artificial Intelligence powered by BriefCam

Designed to process video for the IndigoVision Artificial Intelligence powered by BriefCam, the IndigoVision Video Processing Server can support up to ten simultaneous BriefCam RapidReview, Insights and Protect users and process up to 500 hours of video per day. BriefCam RapidReview, Insights and Protect software uses advanced computer vision and deep learning technology to intelligently condense hours of recorded video footage into just a few minutes, presenting just the items of interest to the operator.

## Key Features

COMPRESSION



OTHER



PHYSICAL



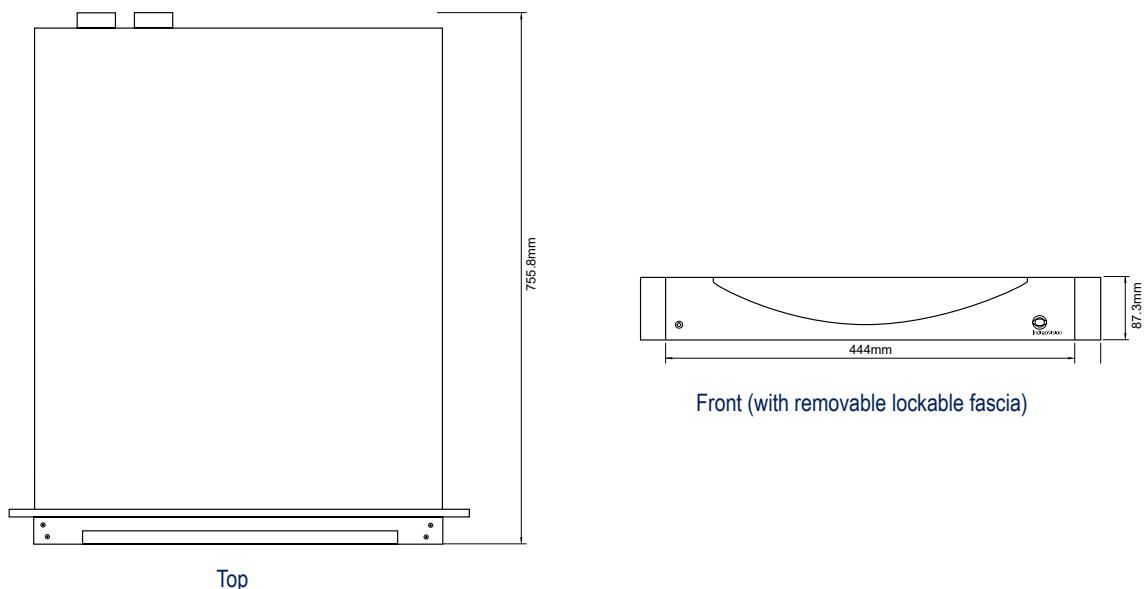
## Product Codes

Video Processing Server (inc HW ProSupport)	
Video Processing Server 128GB, Dual GPU	980432

## Accessories

Accessories	Product Codes
Enterprise NVR-AS 4000 8TB SATA Hard Disk Caddy & Disk	110308
Direct Attach twinax cable kit with SFP+ connectors – 1m	110351
Direct Attach twinax cable kit with SFP+ connectors – 3m	110352
Direct Attach twinax cable kit with SFP+ connectors – 5m	110353
10GBASE-SR fibre optic SFP+ transceiver	110361
2U Sliding rack rail system with cable management arm	110300

## Dimensions



## Specification

Specification		Video Processing Server 128GB
No. of Concurrent Users		10
Camera Resolution		1080p
Maximum FPS		30
Max. no. of video hours to be processed per 24 hours		500
Graphics Processor		2x NVIDIA Quadro P4000 8GB GPU
Processor		2 x Intel Xeon Gold 6148
RAM		128GB of memory (8 x 16GB DDR4)
OS		2 x 120GB Boot SSD RAID1
Storage		3 x 8TB SATA
Dimensions/Weight		755.8mm (d) x 444mm (w) x 87.3mm (h) and 33.1Kg
Operating System		Windows Server® 2016 for Embedded Systems Essentials
Recording Hard Drive		3.5in SATA
Operating System and Configuration Hard Drive Bays		Separate from Recording Hard Drives
RAID Controller		Hardware RAID Controller
Network Interface		Dual Port Redundant 10GB DA/SFP+ and Dual Port Redundant 100/1000 BaseT RJ-45 Connections
Network Security		Windows Server Firewall, Network Access Protection (NAP)
Regulatory		EN 60950-1, IEC 60950-1, EN 55022, CISPR 22, EN 61000-3-2, EN 55024, IEC 61000-3-2 (Class D), EN 61000-3-3, IEC 61000-3-3, CISPR 24
Housing		Mild Steel Chassis and Fascia
Electrical		2 x 1100W, 100-240VAC, 50/60 Hz, Auto Switching, Dual-Redundant Hot Swap PSU
Operating Temperature		10°C to 35°C
System Management		iDRAC9 Express
Supplied Accessories		Rack Mount Kit (brackets, static rails and mounting hardware), removable lockable fascia, 3m Direct Attach twinax cable kit with SFP+ connectors, PDU power cords (x2) and USB restore media



# CAPTURE



## **Get the image detail you need to inform incident responses for any environment**

At IndigoVision, we provide a wide array of cameras in a range of form factors, so that you can choose the right camera for specific areas of your site to give you complete situational awareness. With tightly integrated built-in analytics, you'll have access to data to better inform your security response.

Whether you need a camera which is capable of withstanding attempts at destruction - either intentional or accidental - and harsh weather conditions, or precision image detail for a high-security entrance on your site, we've got you covered. Your team is always put in the best place to react swiftly and stop events from escalating using analytics filters, including motion detection and perimeter monitoring, which allow operators to respond immediately to incidents in any environment.

IndigoVision cameras are available in GX, BX, UX, PTZ, and SP ranges, meaning that there is a camera for every budget and site. Ensure high-risk areas on your site are monitored 24/7 with our fixed cameras, which provide you with a detailed camera view without interruptions. Use our powerful Pan-Tilt-Zoom (PTZ) cameras to auto-track suspects from long-range, night or day.

IndigoVision's high-definition cameras continuously monitor and analyze their environment, so you will never miss a potentially critical incident.



# CAPTURE INDEX

## UX CAMERA RANGE

### UX Camera Range 54

- 2MP - 8MP (4K) resolution
- Analytics with motion detection
- Audio capabilities
- IR, WDR and Lowlight technology
- Relay I/O connections
- ONVIF and NDAA compliant

## BX CAMERA RANGE

### BX Camera Range 63

- 2MP - 5MP resolution
- Analytics with motion detection
- Audio capabilities
- IR, WDR and Lowlight technology
- Relay I/O connections
- ONVIF and NDAA compliant

## GX CAMERA RANGE

### GX Outdoor Dome Camera 99

- 2MP - 5MP resolution
- Analytics with motion detection
- CyberVigilant Technology
- IR, WDR and Lowlight technology
- ONVIF and NDAA compliant

## PTZ CAMERA RANGE

### IR PTZ Cameras 73

- 2MP - 5MP resolution
- 360° coverage with Pan, Tilt and Zoom controls
- IR, WDR and Lowlight technology
- CyberVigilant® Technology
- Relay I/O connections
- ONVIF and NDAA compliant

### UX3520 HD Ultra X PTZ Dome Camera 77

- 1080p resolution mode
- 30x optical zoom and 12x digital zoom
- Ultra-low latency
- CyberVigilant® Technology
- NDAA and ONVIF conformant

### BX520 HD/4MP PTZ Dome Cameras 79

- HD and 4MP resolution
- 30x optical zoom and 10x digital
- ONVIF conformant

## SP CAMERA RANGE

### SP Multisensor Camera 81

- 20MP Effective resolution (4 x 5MP)
- 4 individually configurable camera sensors
- Audio capabilities
- IR, WDR and Lowlight technology
- Relay I/O connections
- ONVIF and NDAA compliant

### SP Thermal Cameras 87

- Turn heat into visible light
- Classify temperatures from -40°C to 225°C
- Audio capabilities
- Relay I/O connections
- ONVIF and NDAA compliant

### 6MP/12MP Fisheye Camera 91

- 6MP - 12MP resolution
- Up to 30 fps at 6MP
- Edge Dewarping
- IP67/IK10

### HD Interceptor PTZ Camera 93

- 1080p resolution
- Integrated white and infrared lighting
- IP68/IK10
- ONVIF conformant
- -40°C to 60°C

### XF & XP HD ATEX Cameras 95

- 1080p resolution
- ATEX, IECEx and INMETRO
- IP67
- ONVIF conformant

## ENCODER

### BX130 8/16 Channel Encoder 121

- 8 or 16 analog inputs per device
- Up to 1080p resolution
- ONVIF conformant

## MOUNT & ACCESSORY MATRICES

### UX Camera Mount & Accessory Matrix 97

### GX/BX Camera Mount & Accessory Matrix 100

### PTZ Camera Mount & Accessory Matrix 103

### SP Multisensor Camera Mount & Accessory Matrix 109

### SP Thermal Camera Mount & Accessory Matrix 112

### Fisheye Camera Mount & Accessory Matrix 115

### Specialized Camera Mount & Accessory Matrix 118



# UX Camera Range

Capture every detail with ultra-high resolution

With best in class performance, the IndigoVision UX Camera range supports multiple resolutions and delivers enhanced video streams in all lighting conditions. You also get maximum reliability with IndigoVision's Distributed Network Architecture, which removes the requirement for a central server, ensuring you never lose access to live video and benefit from minimal latency. IndigoVision's SmartCodec technology gives highly optimised H.265 compression significantly reducing storage costs.

## Key Features & Benefits



### MOTION DETECTION

Operators get alerted immediately when motion is detected thanks to our built-in analytics.



### LOW LIGHT TECHNOLOGY

Deliver safety and capture unexceptionably detailed footage even in low-light settings.



### ONVIF<sup>®</sup> COMPLIANT

Built on an open platform to allow integration with other security solutions, so you can expand your existing security system.



### TRUE WIDE DYNAMIC RANGE

Capture details in scenes with both very bright and dark areas, so you can detect suspicious activity in all lighting conditions.



### H.265 WITH SMARTCODEC TECHNOLOGY

Reduce costs by maximizing bandwidth utilization and storage consumption without compromising image quality.



### RELAY I/O CONNECTIONS FOR FAST RESPONSE

Configure input actions (such as alarms) that trigger an external relay to perform an action (e.g., turn lights on).



### EXPANDABLE STORAGE

Use our slot for either SD or MicroSD memory card and get video recordings even during network interruptions.



### AUDIO CAPABILITIES

Available ports for external audio including sirens, microphones and/or loudspeakers for audio talk-down situations.



### IP AND IK RATED

Trust the robustness and reliability of your system with IP66/7 weather rating and IK10 impact rating for vandal resistance.



### ADAPTIVE INFRARED (IR) LED ILLUMINATION

Automatically provides clear and evidential video even in pitch dark condition for a distance of up to 90 m (295 ft).



### 5 YEAR WARRANTY

Gain peace of mind with products backed by a 5-year, industry-leading warranty.



### NDAA COMPLIANT

Approach US government with confidence, knowing our cameras comply with the National Defense Authorization Act.

# Specifications

Image Performance	2.0 MP	4.0 MP	5.0 MP	8.0 MP (4K ULTRA HD)
Sensor	1/2.8" progressive scan CMOS			1/1.8" progressive scan CMOS
Max Resolution (H x V) and Aspect Ratio	(16:9) 1920 x 1080	(16:9) 2560 x 1440 (4:3) 2304 x 1728	(4:3) 2592 x 1944 (16:9) 2560 x 1440	(16:9) 3840 x 2160
Dynamic Range (WDR Off)	83 dB	83 dB	83 dB	85 dB
Dynamic Range (WDR On)	126 dB (dual exposure, 30 fps) 132 dB (triple exposure, 20 fps or less)	126 dB	126 dB	120 dB
Max Image Rate	(50 Hz/60 Hz): 25 fps/30 fps	WDR off (50 Hz/60 Hz): 25 fps/30 fps WDR on (50 Hz/60 Hz): 20 fps/20 fps		(50 Hz/60 Hz): 25 fps/30 fps
Bandwidth Management	SmartCodec technology			
3D Noise Reduction Filter	Yes			

Lens and IR Illumination		3.3 – 9 mm	4.9 – 8 mm	9 – 22 mm	4.7 – 84.6 mm
IR Illumination Max Distance <sup>1</sup> (high power 850 nm LEDs)	Dome	35 m (115 ft), full tele 15 m (49 ft), full wide	30 m (98 ft), full tele 15 m (49 ft), full wide	N/A	N/A
	Bullet	50 m (164 ft), full tele 30 m (98 ft), full wide	50 m (164 ft), full tele 30 m (98 ft), full wide	90 m (295 ft), full tele 60 m (197 ft), full wide	N/A
Minimum Illumination	2 MP	0.027 lux in color mode, 0.014 lux in monochrome mode, 0 lux with IR	N/A	0.052 lux in color mode, 0.026 lux in monochrome mode, 0 lux with IR	0.039 lux in color mode, 0.02 lux in monochrome mode
	4 MP	0.03 lux in color mode, 0.015 lux in monochrome mode, 0 lux with IR	N/A	0.058 lux in color mode, 0.029 lux in monochrome mode, 0 lux with IR	N/A
	5 MP	N/A	N/A	0.058 lux in color mode, 0.029 lux in monochrome mode, 0 lux with IR	N/A
	8 MP	N/A	0.055 lux in color mode, 0.028 lux in monochrome mode, 0 lux with IR	N/A	N/A
Horizontal Angle of View - Based on Aspect Ratio	2 MP	(16:9) 34° – 99°	N/A	(16:9) 14° – 31°	(16:9) 4.1° – 60°
	4 MP	(16:9)(4:3) 34° – 92°	N/A	(16:9)(4:3) 14° – 31° (4:3) 11° – 24°	N/A
	5 MP	N/A	N/A	(16:9)(4:3) 14° – 31°	N/A
	8 MP	N/A	(16:9) 52° – 92°	N/A	N/A
Vertical Angle of View - Based on Aspect Ratio	2 MP	(16:9) 18° – 53°	N/A	(16:9) 7.8° – 16.7°	(16:9) 2.3° – 34°
	4 MP	(16:9) 18° – 50° (4:3) 25° – 68°	N/A	(16:9) 8.2° – 17.4°	N/A
	5 MP	N/A	N/A	(16:9) 8.1° – 17.4° (4:3) 11° – 23°	N/A
	8 MP	N/A	(16:9) 29° – 51°	N/A	N/A
Max Aperture	F1.3	F1.8	F1.6	F1.6	
Control	P-Iris, Remote Focus and Zoom				

<sup>1</sup> IR illumination power may be reduced at higher operating temperatures.

Image Control	
Image Compression Method	H.264 SmartCodec, H.265 SmartCodec, Motion JPEG
Streaming	Multi-stream H.264, Multi-stream H.265, Motion JPEG
Analytics	Object Not Present In Area, Object Loitering, Object Crosses Beam, Objects Enter Area, Objects Leave Area, Object Stops In Area, Direction Violated, Camera Tampering, Scene Change (Analytics Service)
Motion Detection	Pixel motion: Selectable sensitivity and threshold. Classified object detection
Tamper Detection	Yes
Electronic Shutter Control	Automatic, Manual (1/7 to 1/8196 sec)
Iris Control	Automatic, Open, Closed
Day/Night Control	Automatic, Manual
Flicker Control	60 Hz, 50 Hz
White Balance	Automatic, Manual
Backlight Compensation	Adjustable
Privacy Zones	Up to 64 zones

# Specifications

Auxiliary I/O	
Audio Compression Method	G.711 PCM 8 kHz
Audio Input/Output	Line level input and output
External I/O Terminals	Alarm In, Alarm Out
RS-485 Terminal	Yes, Box camera only**

\*\* Currently not supported

Network	
Network	100BASE-TX, RJ45 Connector, CAT5e Cabling
ONVIF	ONVIF compliance version 1.02, 2.00, Profile S, Profile G, Profile T ( <a href="http://www.onvif.org">www.onvif.org</a> )
Security	Password protection, HTTPS encryption, digest authentication, WS authentication, user access log, 802.1x port based authentication, CyberVigilant
Protocol	IPv6, IPv4, HTTP, HTTPS, SOAP, DNS, NTP, RTSP, RTP, TCP, UDP, IGMP, ICMP, DHCP, Zeroconf, ARP
Streaming Protocols	RTP/UDP, RTP/UDP multicast, RTP/RTSP/TCP, RTP/RTSP/HTTP/TCP, RTP/RTSP/HTTPS/TCP, HTTP
Device Management Protocols	SNMP v2c, SNMP v3
Software Requirements	Control Center v17.2 or later

Peripherals	
Onboard Storage (Dome)	microSD/microSDHC/microSDXC slot – class 10/UHS-1 or better recommended
Onboard Storage (Bullet and Box)	SD/SDHC/SDXC slot – class 10/UHS-1 or better recommended

Mechanical (Dome)	Indoor Surface Mount	Indoor In-Ceiling Mount	Outdoor Surface Mount
Dimensions (LxWxH)	163 mm x 163 mm x 118 mm; 6.4" x 6.4" x 4.7"	181 mm x 181 mm x 164 mm; 7.1" x 7.1" x 6.5"	163 mm x 163 mm x 121 mm; 6.4" x 6.4" x 4.8"
Weight	0.99 kg (2.18 lbs)	1.64 kg (3.62 lbs)	1.39 kg (3.06 lbs)
Dome Bubble	Polycarbonate		
Body	Plastic, Aluminum		Aluminum
Housing	Surface mount, tamper resistant	Recessed mount, tamper resistant	Surface mount, vandal resistant
Finish	Plastic, gray	Plastic, gray; Aluminum, powder coat, black	Powder coat, RAL 9003
Adjustment Range	360° pan, ±180° azimuth, 9° – 95° tilt (30° – 95° with -IR option)		

Mechanical (Pendant Dome)	Pendant Camera Only	With Wall Mount (UX-DP-WALL-MNT)	With NPT Mount (UX-DP-NPTA-MNT)
Dimensions (LxWxH)	172 mm x 172 mm x 124 mm; 6.8" x 6.8" x 4.9"	275 mm x 172 mm x 152.1 mm; 10.8" x 6.8" x 6.0"	172 mm x 172 mm x 172.3 mm; 6.8" x 6.8" x 6.8"
Weight	1.59 kg (3.51 lbs)	3.04 kg (6.70 lbs)	1.84 kg (4.06 lbs)
Dome Bubble	Polycarbonate		
Body	Aluminum		
Housing	Pendant mount, vandal resistant		
Finish	Powder coat, RAL 9003		
Adjustment Range	360° pan, ±180° azimuth, 9° – 95° tilt (30° – 95° with -IR option)		

Mechanical (Bullet)	
Dimensions (LxWxH)	280 mm x 126 mm x 91 mm; 11.04" x 4.97" x 3.58" (including mounting bracket)
Weight (Camera)	1.71 kg (3.77 lbs)
Weight (Mounting Bracket)	0.21 kg (0.46 lbs)
Body	Aluminum
Housing	Surface mount, tamper resistant
Finish	Powder coat, RAL 9003
Adjustment Range	±175° pan, ±90° tilt, ±175° azimuth

Mechanical (Box)	
Dimensions (LxWxH)	168 mm x 76 mm x 67 mm; 6.6" x 3.0" x 2.6"
Weight	0.62 kg (1.4 lbs)
Body	Aluminum
Camera Mount	1/4"-20 UNC (top and bottom)
Finish	Powder coat, black

# Specifications

Electrical				
Power Consumption (Dome)	Bullet	13 W max		
	Dome	13 W max (11 W with no IR or IR disabled)		
	Box	7 W max		
Power Source	Bullet	VDC: 12 V ± 10%, 13 W min	VAC: 24 V ± 10%, 15 VA min	PoE: IEEE802.3af Class 3 compliant
	Dome	VDC: 12 V ± 10%, 12 W min	VAC: 24 V ± 10%, 13 VA min	PoE: IEEE802.3af Class 3 compliant
	Box	VDC: 12 V ± 10%, 7 W min	VAC: 24 V ± 10%, 9 VA min	PoE: IEEE802.3af Class 3 compliant
RTC Backup Battery	3V manganese lithium			

Environmental		
Operating Temperature	Bullet	-40 °C to +60 °C (-40 °F to 140 °F), in enclosed space -40 °C to +65 °C (-40 °F to 149 °F), with ambient convection
	Dome	-40 °C to +65 °C (-40 °F to 149 °F)
	Box	-10 °C to +60 °C (-14 °F to 140 °F)
IR Illuminator Behavior	Bullet	IR illuminator will turn off if the temperature is 61 °C (141 °F) or higher. The illuminator will operate at 50% power if the temperature is between 55 °C (131 °F) and 61 °C (141 °F). Hysteresis: 5 °C (9 °F).
	Indoor Dome	IR illuminator will turn off if the temperature is 55 °C (131 °F) or higher. The illuminator will operate at 50% power if the temperature is between 44 °C (111 °F) and 55 °C (131 °F). Hysteresis: 2 °C (3.6 °F).
	Outdoor Dome	IR illuminator will turn off if the temperature is 57 °C (135 °F) or higher. The illuminator will operate at 50% power if the temperature is between 49 °C (120 °F) and 57 °C (135 °F). Hysteresis: 2 °C (3.6 °F).
Storage Temperature	-10 °C to +70 °C (14 °F to 158 °F)	
Humidity	0 - 95% non-condensing	

Certifications		
Certifications/ Directives	UL, cUL, CE, ROHS, Reach (SVHC), RCM, EAC, BIS, KC	
Safety	UL 62368-1, CSA 62368-1, IEC/EN 62368-1, IEC 62471 (with -IR option)	
Environmental	Bullet	UL/CSA/IEC 60950-22, IEC 60529 IP66 and IP67 Weather Rating, IEC 62262 IK10 Impact Rating
	Outdoor Dome	UL/CSA/IEC 60950-22, IEC 60529 IP66 and IP67 Weather Rating, IEC 62262 IK10 Impact Rating
Electromagnetic Emissions	FCC Part 15 Subpart B Class B, IC ICES-003 Class B, EN 55032 Class B, EN 61000-6-3, EN 61000-3-2, EN 61000-3-3	
Electromagnetic Immunity	EN 55035, EN 61000-6-1	

# Analytics Specifications

Supported Analytics Events	
Objects in Area	The event is triggered when the selected object type moves into the region of interest.
Object Loitering	The event is triggered when the selected object type moves into the region of interest and then stays for an extended amount of time.
Objects Crossing Beam	The event is triggered when the specified number of objects have crossed the directional beam that is configured over the camera's field of view. The beam can be unidirectional or bidirectional.
Object Appears or Enters Area	The event is triggered by each object that enters the region of interest. This event can be used to count objects.
Object Not Present in Area	The event is triggered when no objects are present in the region of interest.
Objects Enter Area	The event is triggered when the specified number of objects have entered the region of interest.
Objects Leave Area	The event is triggered when the specified number of objects have left the region of interest.
Object Stops in Area	The event is triggered when an object moves into a region of interest and then stops moving for the specified threshold time.
Direction Violated	The event is triggered when an object moves in the prohibited direction of travel.
Tamper Detection	The event is triggered when the scene unexpectedly changes.

Supported Classified Object Types	
Object Types in Outdoor Mode	Vehicle, sub-types: Car, Truck, Bicycle, Motorcycle, Bus Person
Object Types in Indoor Mode	Person



# Ordering Information (Outdoor Dome & Bullet)

## Surface Mount Outdoor Dome Camera

Model (UX-DO)	Product Code	MP	WDR	Low light Technology	Lens	IR	SmartCodec
UX-2MP-DO-S	750440-DO	2.0	✓	✓	3.3 - 9 mm		✓
UX-2MP-DO-S-IR	750442-DO	2.0	✓	✓	3.3 - 9 mm	✓	✓
UX-2MP-DO-T	750441-DO	2.0	✓	✓	9 - 22 mm		✓
UX-5MP-DO-T	752441-DO	5.0	✓	✓	9 - 22 mm		✓
UX-8MP-DO-S	753440-DO	8.0	✓	✓	4.9 - 8 mm		✓
UX-8MP-DO-S-IR	753442-DO	8.0	✓	✓	4.9 - 8 mm	✓	✓

Display Part Number	Product Code	Description
UX-DO-COVR-SMK	150404	Outdoor dome camera cover with smoked bubble
UX-DO-COVR-CLR	150405	Outdoor dome camera cover with clear bubble
UX-DO-DC-SGROM	150554	Camera sealing grommet, pack of 10
UX-DO-DP-PGROM	150553	Pipe grommet, pack of 10
AV-CAB	150150	3.5 mm jack with 1.8 m fly wire

## Pendant Mount Outdoor Dome Camera (UX-DP)

Model (UX-DP)	Product Code	MP	WDR	Low light Technology	Lens	IR	SmartCodec
UX-2MP-DP-S	750440-DP	2.0	✓	✓	3.3 - 9 mm		✓
UX-2MP-DP-S-IR	750442-DP	2.0	✓	✓	3.3 - 9 mm	✓	✓
UX-2MP-DP-T	750441-DP	2.0	✓	✓	9 - 22 mm		✓
UX-5MP-DP-T	752441-DP	5.0	✓	✓	9 - 22 mm		✓
UX-8MP-DP-S	753440-DP	8.0	✓	✓	4.9 - 8 mm		✓
UX-8MP-DP-S-IR	753442-DP	8.0	✓	✓	4.9 - 8 mm	✓	✓

Display Part Number	Product Code	Description
UX-DP-COVR-SMK	150406	Pendant dome camera cover with smoked bubble
UX-DP-COVR-CLR	150407	Pendant dome camera cover with clear bubble
UX-DP-WALL-MNT	150502	Indoor/outdoor pendant wall arm mount
UX-DP-NPTA-MNT	150503	Indoor/outdoor pendant NPT mount
POLE-MNT	150506	Aluminum pole mounting bracket for pendant dome cameras
CRNR-MNT	150507	Aluminum corner mounting bracket for pendant dome cameras
UX-DO-DP-PGROM	150553	Pipe grommet, pack of 10
AV-CAB	150150	3.5 mm jack with 1.8 m fly wire

## Outdoor Bullet Camera

Model (UX-BO-IR)	Product Code	MP	WDR	Low light Technology	Lens	IR	SmartCodec
UX-2MP-BO-S-IR	750640	2.0	✓	✓	3.3 - 9 mm	✓	✓
UX-2MP-BO-T-IR	750641	2.0	✓	✓	9 - 22 mm	✓	✓
UX-5MP-BO-T-IR	752641	5.0	✓	✓	9 - 22 mm	✓	✓
UX-8MP-BO-S-IR	753640	8.0	✓	✓	4.9 - 8 mm	✓	✓

Display Part Number	Product Code	Description
BO-JCT-BOX	150300	Junction box for bullet cameras
POLE-MNT	150506	Aluminum pole mounting bracket for bullet cameras
CRNR-MNT	150507	Aluminum corner mounting bracket for bullet cameras

## Ordering Information (Indoor Dome & Box)

### Box Camera

Model (UX-B)	Product Code	MP	WDR	Low light Technology	Lens	IR	SmartCodec
UX-2MP-B-LT	750621	2.0	✓	✓	4.7 - 84.6 mm		✓
UX-2MP-B-S	750620	2.0	✓	✓	3.3 - 9 mm		✓
UX-4MP-B-S	751620	4.0	✓	✓	3.3 - 9 mm		✓
UX-4MP-B-T	751621	4.0	✓	✓	9 - 22 mm		✓
UX-8MP-B-S	753620	8.0	✓	✓	4.9 - 8 mm		✓

Display Part Number	Product Code	Description
AV-CAB	150150	3.5 mm jack with 1.8 m fly wire

### Surface Mount Indoor Dome Camera

Model (UX-D)	Product Code	MP	WDR	Low light Technology	Lens	IR	SmartCodec
UX-2MP-D-S	750420-D	2.0	✓	✓	3.3 - 9 mm		✓
UX-2MP-D-S-IR	750422-D	2.0	✓	✓	3.3 - 9 mm	✓	✓
UX-2MP-D-T	750421-D	2.0	✓	✓	9 - 22 mm		✓
UX-8MP-D-S	753420-D	8.0	✓	✓	4.9 - 8 mm		✓
UX-8MP-D-S-IR	753422-D	8.0	✓	✓	4.9 - 8 mm	✓	✓

Display Part Number	Product Code	Description
UX-D-COVR-SMK	150408	Indoor dome camera cover with smoked bubble
UX-D-COVR-CLR	150409	Indoor dome camera cover with clear bubble
UX-D-SDWL-PLUG	150551	Indoor dome camera sidewall knockout plug, pack of 5
AV-CAB	150150	3.5 mm jack with 1.8 m fly wire

### In-Ceiling Mount Indoor Dome Camera

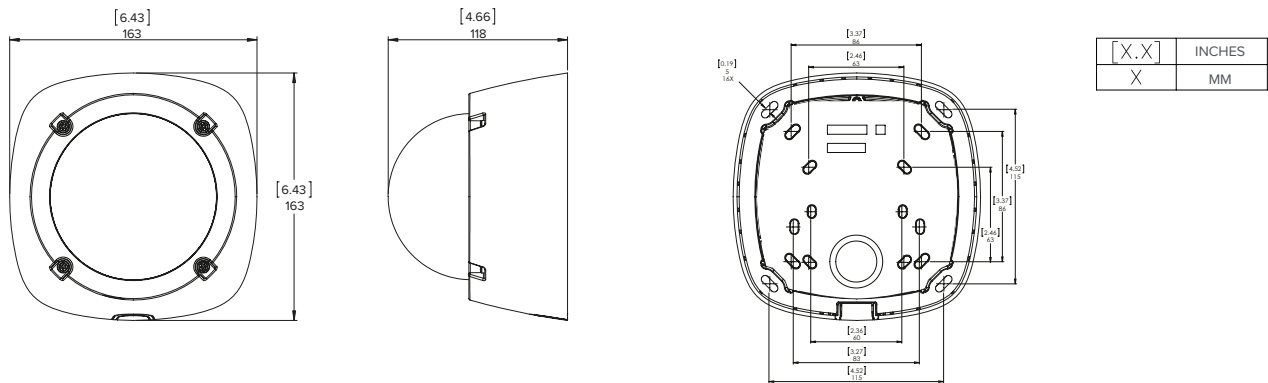
Model (UX-DC)	Product Code	MP	WDR	Low light Technology	Lens	IR	SmartCodec
UX-2MP-DC-S	750420-DC	2.0	✓	✓	3.3 - 9 mm		✓
UX-2MP-DC-S-IR	750422-DC	2.0	✓	✓	3.3 - 9 mm	✓	✓
UX-2MP-DC-T	750421-DC	2.0	✓	✓	9 - 22 mm		✓
UX-8MP-DC-S	753420-DC	8.0	✓	✓	4.9 - 8 mm		✓
UX-8MP-DC-S-IR	753422-DC	8.0	✓	✓	4.9 - 8 mm	✓	✓

Display Part Number	Product Code	Description
UX-DC-COVR-SMK	150410	In-ceiling dome camera cover with smoked bubble
UX-DC-COVR-CLR	150411	In-ceiling dome camera cover with clear bubble
UX-BX-DC-CPNL	150259	Metal ceiling panel
UX-DO-DC-SGROM	150554	Camera sealing grommet, pack of 10
AV-CAB	150150	3.5 mm jack with 1.8 m fly wire

# Outline Dimensions

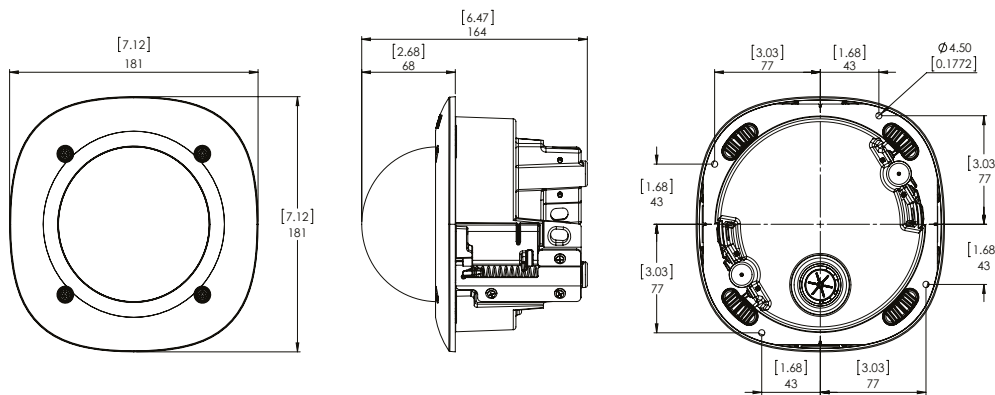
## Surface Mount Indoor Dome Camera

UX-D



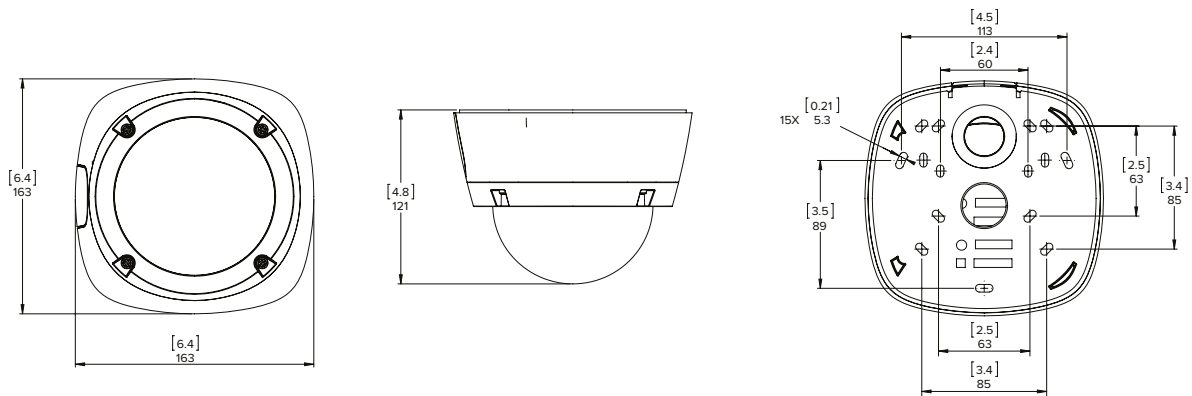
## In-Ceiling Dome Camera

UX-DC



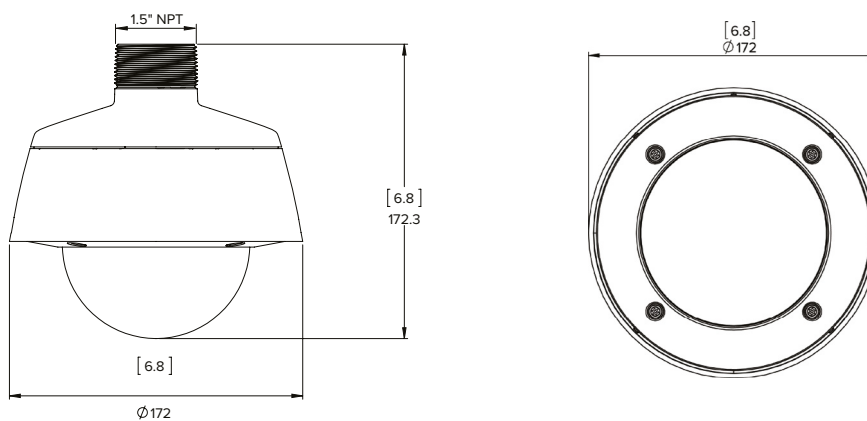
## Surface Mount Outdoor Dome Camera

UX-DO



## Pendant Dome Camera with NPT Mount

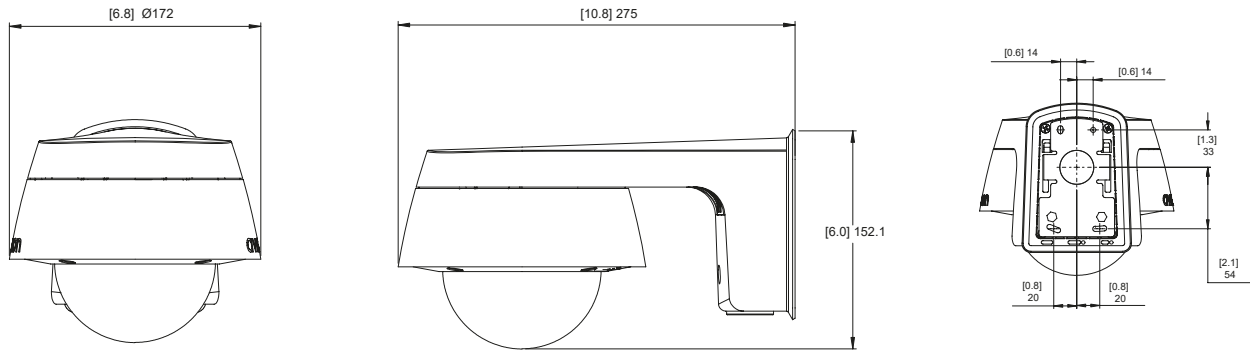
UX-DP + UX-DP-NPTA-MNT



# Outline Dimensions

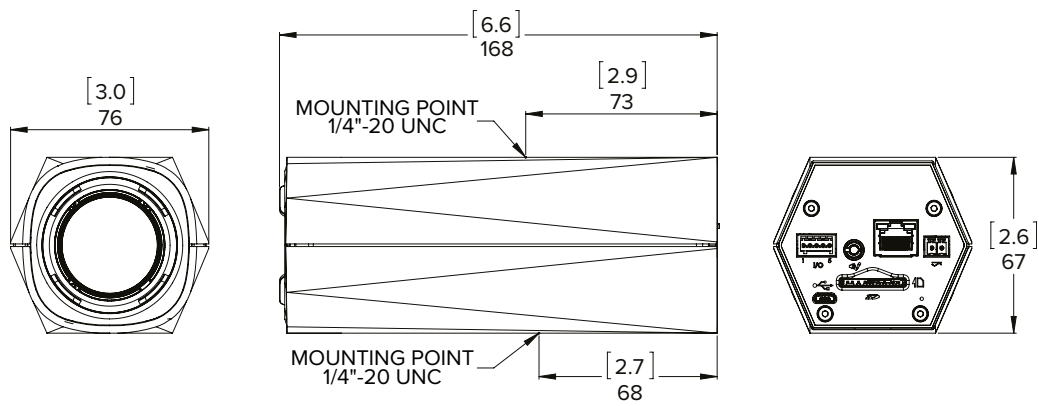
## Pendant Dome Camera with Wall Mount

UX-DP + UX-DP-WALL-MNT



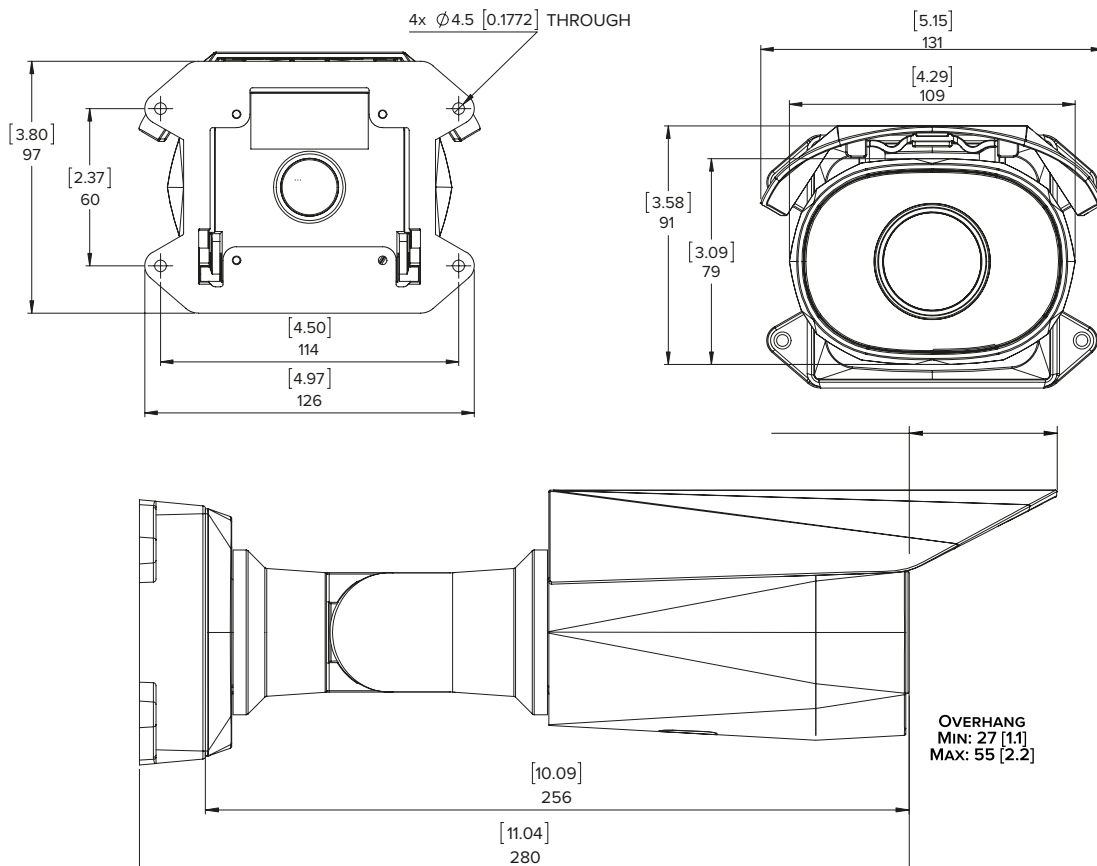
## Box Camera

UX-B



## Bullet Camera

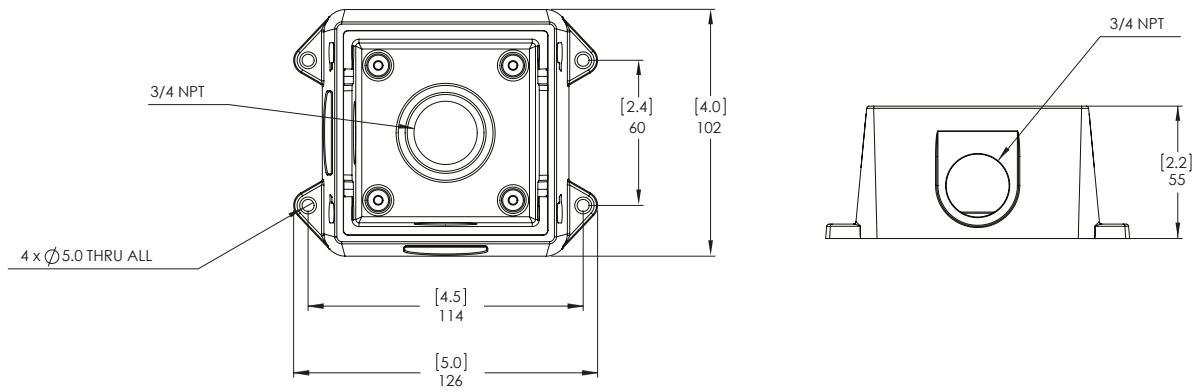
UX-BO-IR



# Outline Dimensions

## HD Bullet Camera Junction Box

BO-JCT-BOX



ID: UXRNG 21.9 SEP 21





# BX Camera Range

Supreme connectivity and flexibility

With IndigoVision's BX range you get supreme connectivity and flexibility combined with great video and audio. Available in a variety of resolutions and form factors, you also get maximum reliability with IndigoVision's Distributed Network Architecture, which removes the requirement for a central server, ensuring you never lose access to live video and benefit from minimal latency. The BX Cameras deliver a different dimension of safety when combined with IndigoVision's Control Center.

## Key Features & Benefits



### UNUSUAL MOTION DETECTION

Uses AI to notify you of unusual events that may have otherwise been missed, offering increased situational awareness and helping effectively monitor more cameras.



### ONVIF<sup>®</sup> COMPLIANT

Built on an open platform to allow integration with other security solutions, so you can expand your existing security system.



### H.265 WITH SMARTCODEC TECHNOLOGY

Reduce costs by maximizing bandwidth utilization and storage consumption without compromising image quality.



### EXPANDABLE STORAGE

Use our slot for either SD or microSD memory card and get video recordings even during network interruptions.



### IP AND IK RATED

Trust the robustness and reliability of your system with IP66/7 weather rating and IK10 impact rating for vandal resistance.



### 5 YEAR WARRANTY

Gain peace of mind with products backed by a 5-year, industry-leading warranty.



### LOW LIGHT TECHNOLOGY

Deliver safety and capture unexceptionably detailed footage even in low-light settings.



### DUAL EXPOSURE WIDE DYNAMIC RANGE

Capture details in scenes with both very bright and dark areas, so you can detect suspicious activity in all lighting conditions.



### ADAPTIVE INFRARED (IR)

Automatically adjusts IR performance based on scene conditions to help maximize image quality.



### AUDIO CAPABILITIES

Available ports for external audio including sirens, microphones and/or loudspeakers for audio talk-down situations.



### RELAY I/O CONNECTIONS FOR FAST RESPONSE

Configure input actions (such as alarms) that trigger an external relay to perform an action (e.g., turn lights on).



### NDAA COMPLIANT

Approach US government with confidence, knowing our cameras comply with the National Defense Authorization Act.

# Specifications

Image Performance	2.0 MP	3.0 MP	5.0 MP
Sensor	1/2.8" progressive scan CMOS		
Aspect Ratio	16:9	4:3	4:3 (16:9 @ 4MP)
Active Pixels (H x V)	1920 x 1080	2048 x 1536	2592 x 1944
Imaging Area (H x V)	4.8 mm x 2.7 mm; 0.189" x 0.106"	5.12 mm x 3.84 mm; 0.202" x 0.151"	5.18 mm x 3.89 mm; 0.204" x 0.153"
Dynamic Range (WDR Off)	100 dB		
Dynamic Range (WDR On)	120 dB (dual exposure)	120 dB (dual exposure)	110 dB (dual exposure)
Max Image Rate	(50 Hz/60 Hz): 25 fps/30 fps	(50 Hz/60 Hz): 25 fps/30 fps	(50 Hz/60 Hz): 25 fps/24 fps
Resolution Scaling	Down to 384 x 216		
Camera Operating Mode	N/A	N/A	Full feature or High framerate mode. (UMD disabled in High framerate mode)
Bandwidth Management	SmartCodec technology		
3D Noise Reduction Filter	Yes		

Lens and IR Illumination		3.1 – 8.4 mm	9.5 – 31 mm
IR Illumination Max Distance (high power 850 nm LEDs)	Dome	30 m (100 ft), full tele 20 m (65 ft), full wide	N/A
	Bullet	50 m (165 ft), full tele 30 m (100 ft), full wide	70 m (230 ft), full tele 30 m (100 ft), full wide
Minimum Illumination	2.0 MP	With IR: 0 lux in color or monochrome mode Without IR: 0.04 lux in color mode; 0.02 lux in monochrome mode	N/A
	3.0 MP		With IR: 0 lux in color or monochrome mode Without IR: 0.03 lux in color mode; 0.015 lux in monochrome mode
	5.0 MP		With IR: 0 lux in color or monochrome mode Without IR: 0.02 lux in color mode; 0.01 lux in monochrome mode
Horizontal Angle of View - Based on Aspect Ratio	2.0 MP	(16:9)(4:3) 35° – 90° (5:4) 33° – 85°	N/A
	3.0 MP		(16:9) 10° – 32°; (5:4) 9.5° – 32°; (4:3) 9.5° – 30°
	5.0 MP		(16:9)(4:3) 35° – 90°
Vertical Angle of View - Based on Aspect Ratio	2.0 MP	(16:9) 20° – 49° (5:4)(4:3) 26° – 66°	N/A
	3.0 MP		(16:9) 6° – 17°; (5:4)(4:3) 7° – 23°
	5.0 MP		(16:9) 6° – 17°; (4:3) 7° – 23°
Max Aperture	F1.6		F1.4
Control	P-Iris, Remote Focus and Zoom		

Image Control	
Image Compression Method	H.264 SmartCodec, H.265 SmartCodec, Motion JPEG
Streaming	Multi-stream H.264, Multi-stream H.265, Motion JPEG
Motion Detection	Pixel and Unusual Motion Detection (UMD)
Tamper Detection	Yes
Electronic Shutter Control	Automatic, Manual (1/6 to 1/8000 sec)
Iris Control	Automatic, Manual
Day/Night Control	Automatic, Manual
Flicker Control	60 Hz, 50 Hz
White Balance	Automatic, Manual
Backlight Compensation	Adjustable
Privacy Zones	Up to 64 zones

Auxiliary I/O	
Audio Compression Method	Opus, G.711 PCM 8 kHz
Audio Input/Output	Line level input and output
External I/O Terminals	Alarm In, Alarm Out

# Specifications

Network	
Network	100BASE-TX
Cabling Type	CAT5
Connector	RJ-45
ONVIF	ONVIF compliant with Profile S, Profile G and Profile T (www.onvif.org)
Security	Password protection, HTTPS encryption, digest authentication, WS authentication, user access log, 802.1x port based authentication, CyberVigilant*
Protocol	IPv6, IPv4, HTTP, HTTPS, SOAP, DNS, NTP, RTSP, RTCP, RTP, TCP, UDP, IGMP, ICMP, DHCP, Zeroconf, ARP
Streaming Protocols	RTP/UDP, RTP/UDP multicast, RTP/RTSP/TCP, RTP/RTSP/HTTP/TCP, RTP/RTSP/HTTPS/TCP, HTTP
Device Management Protocols	SNMP v2c, SNMP v3
Software Requirements	Control Center v17.2 or later

\* Feature will be added in the future with a firmware upgrade

Peripherals	
Onboard Storage	microSD/microSDHC/microSDXC slot – minimum class 6; class 10/UHS-1 or better recommended

Mechanical (Dome)	Surface Mount	In-Ceiling Mount	Pendant Mount NPT Adaptor	Pendant Mount NPT + Wall Mount
Dimensions (LxWxH)	147 x 147 x 119 mm; 5.8" x 5.8" x 4.7"	174 x 174 x 162 mm; 6.9" x 6.9" x 6.4"	153 x 153 x 166 mm; 6.0" x 6.0" x 6.5"	269 x 153 x 214 mm; 10.6" x 6.0" x 8.4"
Max. Ceiling Thickness	N/A	32 mm (1.25")	N/A	N/A
Weight	0.78 kg; 1.72 lbs	0.77 kg; 1.69 lbs	0.77 kg; 1.69 lbs	2.04 kg; 4.49 lbs
Dome Bubble	Polycarbonate, clear			
Body	Polycarbonate			Polycarbonate/ aluminum
Housing	Vandal resistant			
Finish	Cool grey			Close to RAL 9003
Adjustment Range	360° pan, ±180° azimuth, 30° – 95° tilt (recommended), 10° – 95° tilt (maximum)			

Mechanical (Bullet)	
Dimensions (LxWxH)	285 mm x 131 mm x 97 mm; 11.2" x 5.1" x 3.8" (including mounting bracket)
Weight (Camera)	1.29 kg (2.84 lbs)
Weight (Mounting Bracket)	0.21 kg (0.46 lbs)
Body	Aluminum
Housing	Surface mount, tamper resistant, vandal resistant
Finish	Powder coat, cool grey
Adjustment Range	±175° pan, ±90° tilt, ±175° azimuth

Electrical	
Power Consumption (Dome)	8W max
Power Consumption (Bullet)	9W max
Power Source**	PoE: IEEE802.3af Class 3 compliant
RTC Backup Battery	3V manganese lithium

\*\* When powered with some models of PoE++ injectors, the injectors may not power the camera correctly.

Environmental	
Operating Temperature	-40 °C to +60 °C (-40 °F to 140 °F)
Storage Temperature	-10 °C to +70 °C (14 °F to 158 °F)
Humidity	0 - 95% non-condensing

Certifications	
Certifications/ Directives	UL, cUL, CE, ROHS, RCM, EAC, BIS, KC
Safety	UL 62368-1, CSA 62368-1, IEC/EN 62368-1, IEC 62471
Environmental	IEC 62262 IK10 Impact Rating, UL/CSA/IEC 60950-22, IEC 60529 IP66 and IP67 Weather Rating
Electromagnetic Emissions	FCC Part 15 Subpart B Class B, IC ICES-003 Class B, EN 55032 Class B, EN 61000-6-3, EN 61000-3-2, EN 61000-3-3
Electromagnetic Immunity	EN 55035, EN 61000-6-1
Industrial EMC	EN 50130-4, EN 50121-4

# Ordering Information (Bullet)

Model	Product Code	MP	WDR	Low light Technology	Lens	IR	IP66 / IP67	SmartCodec
BX-2MP-BO-S-IR	650640	2.0	✓	✓	3.1 - 8.4 mm	✓	✓	✓
BX-3MP-BO-T-IR	651641	3.0	✓	✓	9.5 - 31 mm	✓	✓	✓
BX-5MP-BO-S-IR	652640	5.0	✓	✓	3.1 - 8.4 mm	✓	✓	✓
BX-5MP-BO-T-IR	652641	5.0	✓	✓	9.5 - 31 mm	✓	✓	✓

## Mounting Adaptors and Accessories

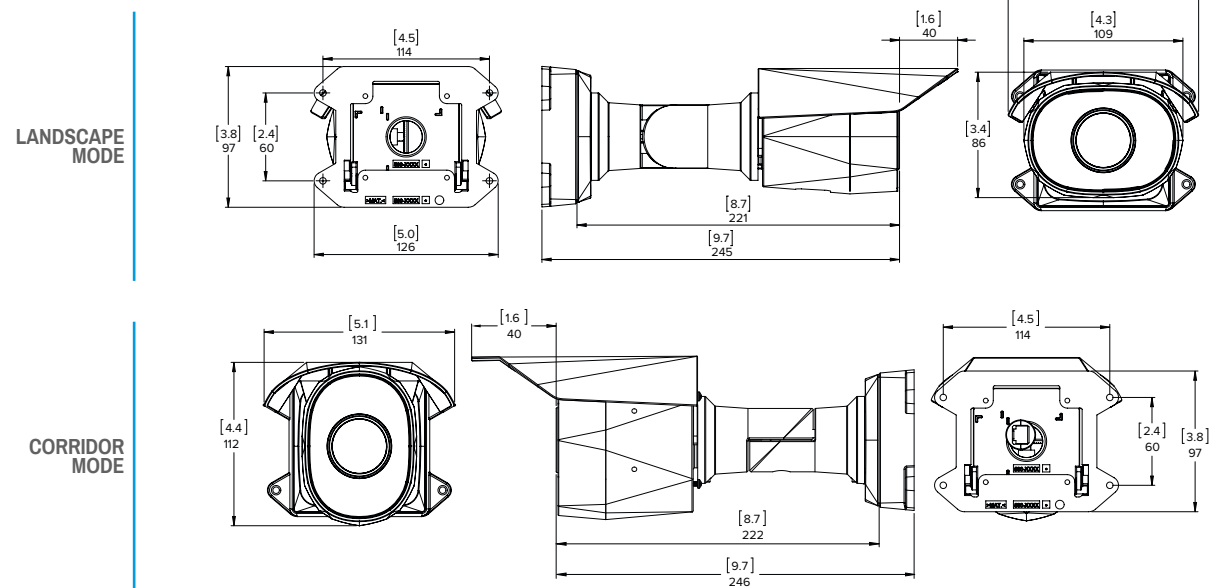
Display Part Number	Product Code	Description
BO-JCT-BOX	150300	Junction box for bullet cameras
POLE-MNT	150506	Aluminum pole mounting bracket
CRNR-MNT	150507	Aluminum corner mounting bracket

# Outline Dimensions (Bullet)

[X.X]	INCHES
X	MM

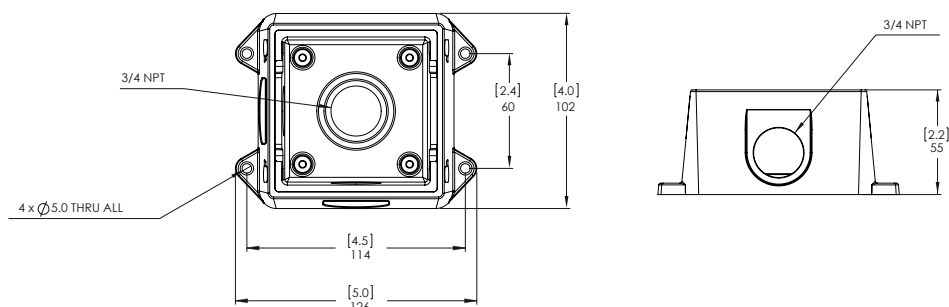
## Bullet Camera

BX-BO







## Bullet Camera Junction Box

BO-JCT-BOX



# Ordering Information (Dome)

The variety of mounting options for the BX dome camera provides maximum flexibility. All the available camera modules can be used in any of the mounting options.

Mounting Scenario	Ordering Information
<b>SURFACE MOUNT</b> 	Order one of: <ul style="list-style-type: none"> <li>• Camera</li> </ul>
<b>IN-CEILING MOUNT</b> 	Order one of: <ul style="list-style-type: none"> <li>• Camera</li> <li>• BX-AD-CEIL</li> <li>• Optional, UX-BX-DC-CPNL if ceiling panel needed</li> </ul>
<b>PENDANT NPT MOUNT</b> 	Order one of: <ul style="list-style-type: none"> <li>• Camera</li> <li>• BX-DP-NPTA-MNT</li> </ul>
<b>PENDANT WALL MOUNT</b> 	Order one of: <ul style="list-style-type: none"> <li>• Camera</li> <li>• BX-DP-NPTA-MNT</li> <li>• BX-DP-WALL-MNT</li> <li>• Optional, POLE-MNT or CRNR-MNT if pole or corner mount needed</li> </ul>

Model	Product Code	MP	WDR	Low light Technology	Lens	IR	IP66 / IP67	SmartCodec
BX-2MP-DO-S-IR	650440	2.0	✓	✓	3.1 - 8.4 mm	✓	✓	✓
BX-5MP-DO-S-IR	652440	5.0	✓	✓	3.1 - 8.4 mm	✓	✓	✓

## Mounting Adapters and Accessories

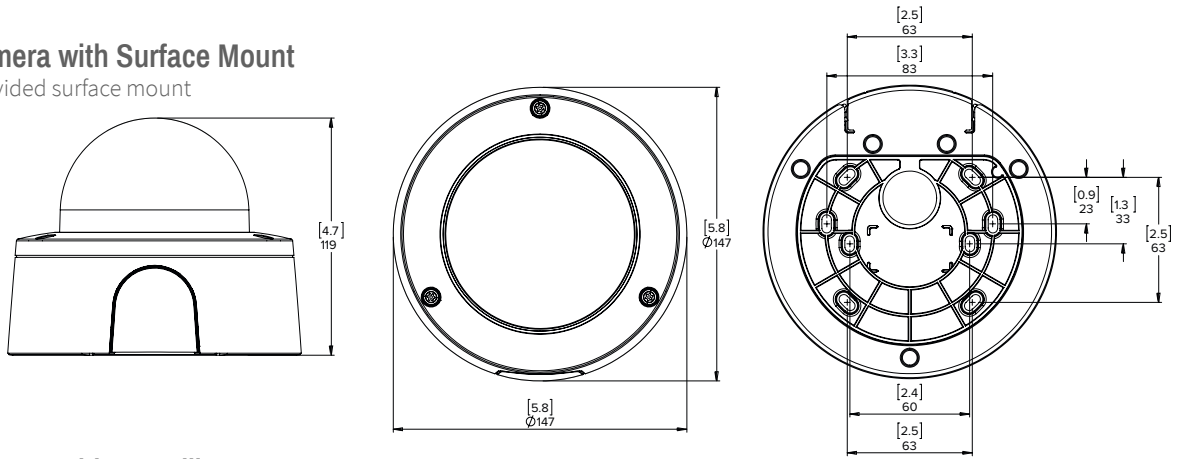
Display Part Number	Product Code	Description
BX-AD-CEIL	150255	In-ceiling mounting adapter for the BX dome camera
BX-DP-NPTA-MNT	150504	NPT adapter for the BX dome camera
BX-DP-WALL-MNT	150505	Pendant wall mount
UX-BX-DC-CPNL	150259	Metal ceiling panel
POLE-MNT	150506	Aluminum pole mounting bracket
CRNR-MNT	150507	Aluminum corner mounting bracket
BX-DO-COVR-SMK	150412	Replacement smoke dome cover
BX-DO-COVR-CLR	150413	Replacement clear dome cover
BX-DO-AD-SMT	150256	Replacement surface mount adapter



# Outline Dimensions (Dome)

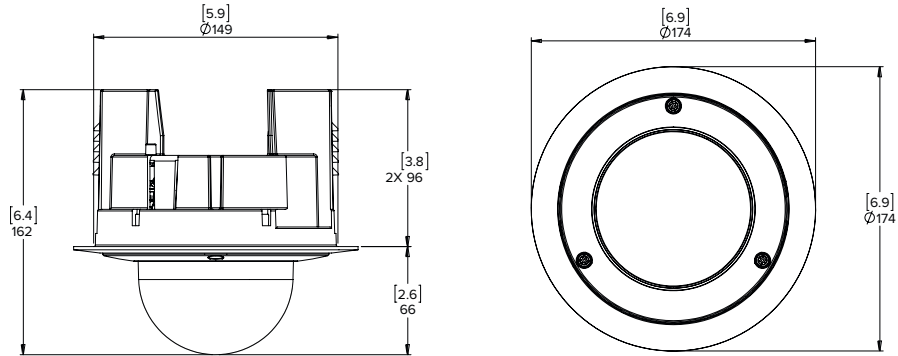
## Dome Camera with Surface Mount

BX-DO + provided surface mount



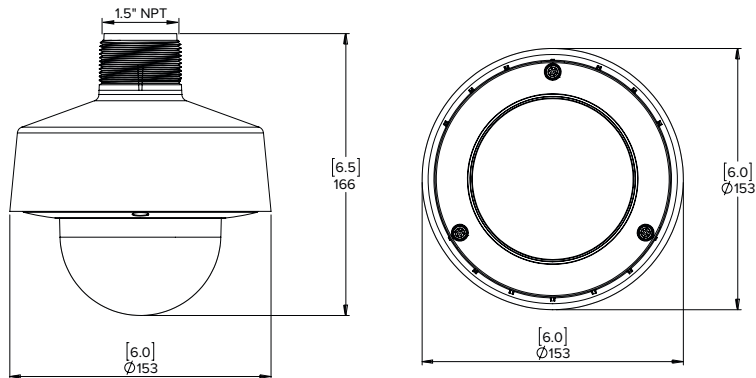
## Dome Camera with In-Ceiling Mount

BX-DO + BX-AD-CEIL



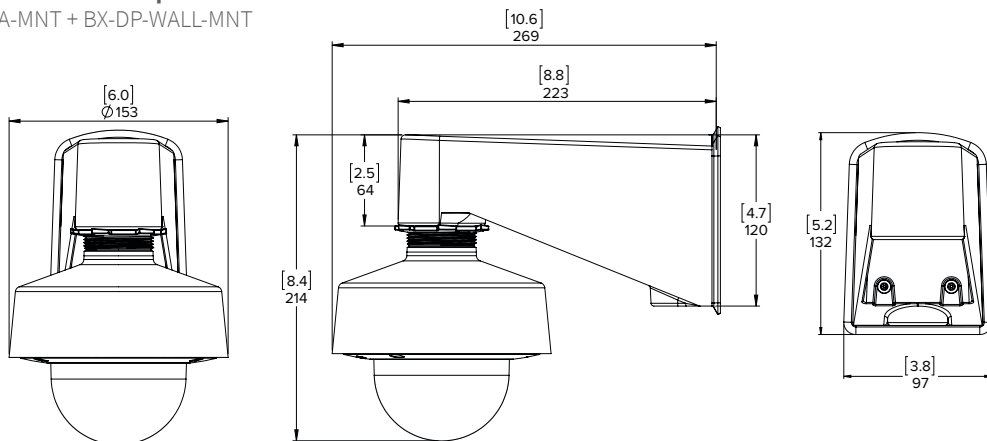
## Dome Camera with NPT Adapter

BX-DO + BX-DP-NPTA-MNT



## Dome Camera with NPT Adapter and Pendant Wall Mount

BX-DO + BX-DP-NPTA-MNT + BX-DP-WALL-MNT



ID: BXRNG 21.7 SEP 21



# IndigoVision®

a Motorola Solutions Company

2MP

5MP

DOME



# GX Outdoor Dome Camera

## Compact and cost-effective without sacrificing quality

Part of IndigoVision’s GX Range, available in 2MP and 5MP resolution options - the GX Dome Cameras deliver pin sharp video that is fully ONVIF conformant. Any single point of failure in the system is removed through IndigoVision’s Distributed Network Architecture (DNA). Our unique Distributed Network Architecture (DNA) removes the requirement for a central server, ensuring you never lose access to live video and benefit from minimal latency.

### Key Features & Benefits



#### UNUSUAL MOTION DETECTION

Uses AI to notify you of unusual events that may have otherwise been missed, offering increased situational awareness and helping effectively monitor more cameras.



#### ONVIF® COMPLIANT

Built on an open platform to allow integration with other security solutions, so you can expand your existing security system.



#### H.265 WITH SMARTCODEC TECHNOLOGY

Reduce costs by maximizing bandwidth utilization and storage consumption without compromising image quality.



#### NDAA COMPLIANT

Approach US government with confidence, knowing our cameras comply with the National Defense Authorization Act.



#### LOW LIGHT TECHNOLOGY

Deliver safety and capture unexceptionably detailed footage even in low-light settings.



#### WIDE DYNAMIC RANGE

Capture details in scenes with both very bright and dark areas, so you can detect suspicious activity in all lighting conditions.



#### IP AND IK RATED

Trust the robustness and reliability of your system with IP66/7 weather rating and IK08 impact rating for vandal resistance.



#### 5 YEAR WARRANTY

Gain peace of mind with products backed by a 5-year, industry-leading warranty.

ONVIF is a trademark of Onvif, Inc.

# Specifications

Image Performance	2MP	5MP
Sensor	1/2.8" progressive scan CMOS	
Maximum Resolution	(16:9) 1920 × 1080 (5:4) 1280 × 1024 (4:3) 1280 × 960 (16:9) 1280 × 720	(4:3) 2592 × 1944 (5:4) 2560 × 1440
Imaging Area (H × V)	4.8 mm × 2.7 mm; 0.189" × 0.106"	
Dynamic Range (WDR Off)	83 dB	83 dB
Dynamic Range (WDR On)	110 dB (dual exposure)	110 dB (dual exposure)
Max Image Rate	50 Hz/60 Hz): 25 fps/30 fps	(50 Hz/60 Hz): 25 fps/24 fps
Resolution Scaling	Down to 384 × 216	
Camera Operating Mode	N/A	Full feature or high framerate mode (UMD disabled in high framerate mode)
Bandwidth Management	SmartCodec technology	
3D Noise Reduction Filter	Yes	

Lens and IR Illumination		
Lens	2.8 mm, F1.2, IR Corrected	
Minimum Illumination (With IR)	0 lux in color or monochrome mode	
Minimum Illumination (Without IR)	0.01 lux in color mode; 0.005 lux (F/1.2) in monochrome mode	0.03 lux in color mode; 0.015 lux (F/1.2) in monochrome mode
IR illumination (high power 850 nm LEDs)	15 m (50 ft) max. distance at 0 lux	
Horizontal Angle of View - Based on Aspect Ratio	(16:9) 112°; (5:4) 72°; (4:3) 82°	(5:4) 103°; (4:3) 104°
Vertical Angle of View - Based on Aspect Ratio	(16:9) 62°; (5:4) 58°; (4:3) 61°	(5:4) 67°; (4:3) 77°
Max Aperture	F1.2	
Control	Fixed	

Image Control	
Image Compression Method	H.264 SmartCodec, H.265 SmartCodec, Motion JPEG
Streaming	Multi-stream H.264, Multi-stream H.265, Motion JPEG
Motion Detection	Pixel and Unusual Motion Detection (UMD)
Camera Tamper Detection	Yes
Electronic Shutter Control	Automatic, Manual (1/7.5 to 1/8000 sec)
Iris Control	None
Day/Night Control	Automatic, Manual
Flicker Control	60 Hz, 50 Hz
White Balance	Automatic, Manual
Backlight Compensation	Adjustable
Privacy Zones	Up to 64 zones

Network	
Network	100BASE-TX, RJ45 Connector, CAT5 Cabling
ONVIF	ONVIF compliance Profile S, Profile T ( <a href="http://www.onvif.org">www.onvif.org</a> )
Security	Password protection, HTTPS encryption, digest authentication, WS authentication, user access log, 802.1x port based authentication, CyberVigilant
Protocol	IPv6, IPv4, HTTP, HTTPS, SOAP, DNS, NTP, RTSP, RTCP, RTP, TCP, UDP, IGMP, ICMP, DHCP, Zeroconf, ARP
Streaming Protocols	RTP/UDP, RTP/UDP multicast, RTP/RTSP/TCP, RTP/RTSP/HTTP/TCP, RTP/RTSP/HTTPS/TCP, HTTP
Device Management Protocols	SNMP v2c, SNMP v3
Software Requirements	Control Center v17.2 or later

Mechanical	Surface Mount	In-Ceiling Mount
Dimensions (LxWxH)	100 mm × 100 mm × 115 mm; 3.9" × 3.9" × 4.5"	101 mm × 101 mm × 162 mm; 4.0" × 4.0" × 6.4"
Max. Ceiling Thickness	N/A	1.0"
Weight	0.355 kg; 0.78 lbs	0.37 kg; 0.82 lbs
Body	Polycarbonate and aluminum	
Housing	Polycarbonate	
Finish	Cool gray	
Adjustment Range	360° pan, ±180° azimuth, 0° – 90° tilt	

# Specifications

Electrical	
Power Consumption	8 W
External Power	PoE: IEEE802.3af Class 0 compliant
Environmental	
Operating Temperature	-30 °C to +55 °C (-22 °F to 131 °F)
Storage Temperature	-40 °C to +70 °C (-40 °F to 158 °F)
Humidity	0 - 95% non-condensing
Certifications	
Certifications/ Directives	UL, cUL, CE, ROHS, WEEE, RCM
Safety	UL 62368-1, CSA 62368-1, IEC/EN 62368-1, IEC 62471
Environmental	IP66 Weather Rating and IK08 Impact Rating
Electromagnetic Emissions	FCC Part 15 Subpart B Class B, IC ICES-003 Class B, EN 55032 Class B, EN 61000-6-3, EN 61000-3-2, EN 61000-3-3
Electromagnetic Immunity	EN 55035, EN 61000-6-1

# Ordering Information

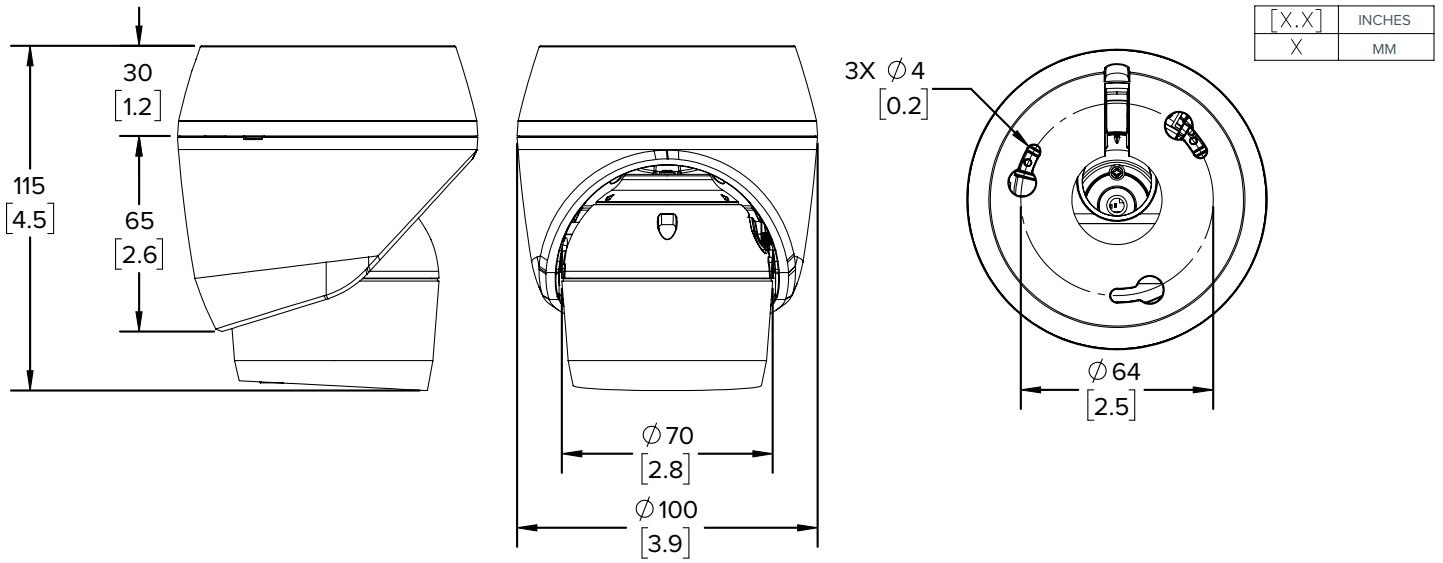
Model	Product Code	MP	WDR	Low light Technology	Lens	IR	IP66
GX-2MP-DO-IR	550440	2.0	✓	✓	2.8 mm	✓	✓
GX-5MP-DO-IR	552440	5.0	✓	✓	2.8 mm	✓	✓

# Accessories

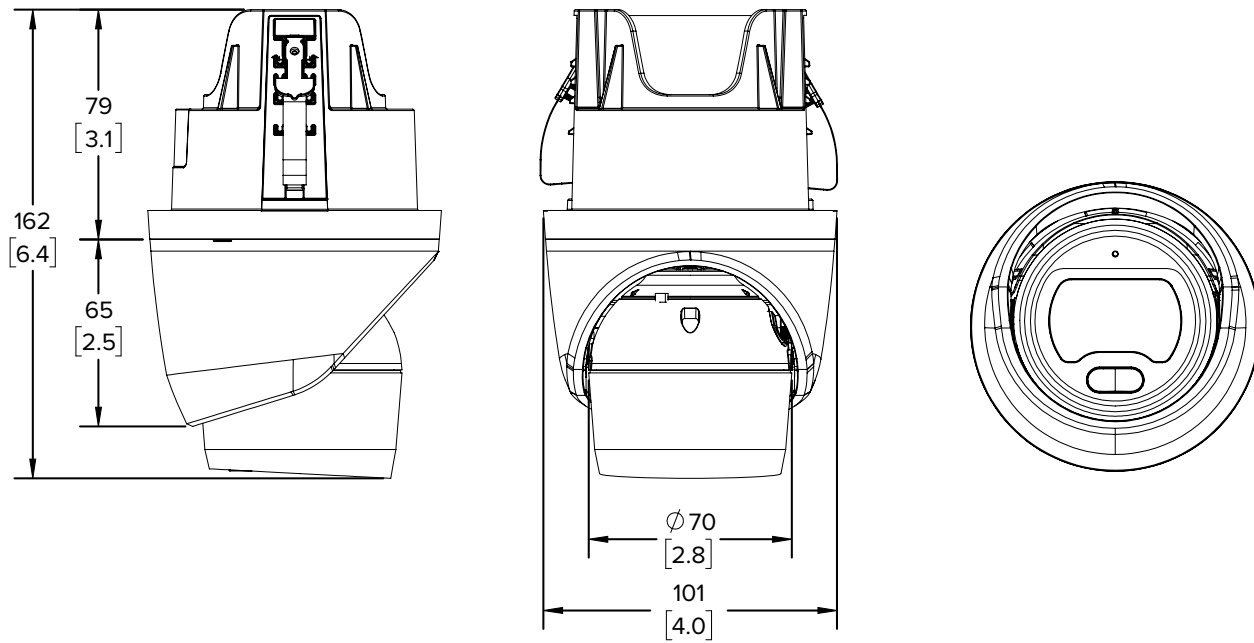
Display Part Number	Product Code	Description
GX-SHRD	150552	Package of 4 camera shroud replacement parts for the GX dome cameras
GX-AD-CEIL	150254	In-ceiling mount adapter for GX dome cameras

# Outline Dimensions

## Surface Mount Outdoor Dome Camera



## In-Ceiling Dome Camera



ID: GXOD 21.5 AUG 21



# IR PTZ Cameras

Capture every detail with ultra-high resolution

With best in class performance, IndigoVision IR PTZ Cameras deliver rich, high resolution video with automatically adaptive IR LED illumination. This provides evidential video in pitch dark conditions for a distance of up to 350 m (1148 ft). Image stabilisation and ultra-low PTZ latency gives smoother operator viewing and control. You also get maximum reliability with IndigoVision's Distributed Network Architecture, which removes the requirement for a central server, ensuring you never lose access to live video and benefit from minimal latency.

## Key Features & Benefits



### LOW LIGHT TECHNOLOGY

Deliver safety and capture unexceptionably detailed footage even in low-light settings.



### WIDE DYNAMIC RANGE

Capture details in scenes with both very bright and dark areas, so you can detect suspicious activity in all lighting conditions.



### ONVIF<sup>®</sup> COMPLIANT

Built on an open platform to allow integration with other security solutions, so you can expand your existing security system.



### IP AND IK RATED

Trust the robustness and reliability of your system with IP66 weather rating and IK10 impact rating for vandal resistance.



### IMAGE STABILIZATION & ULTRA-LOW LATENCY

Detect incidents faster with smooth, superior long-range viewing and control.



### 5 YEAR WARRANTY

Gain peace of mind with products backed by a 5-year, industry-leading warranty.



### ACF (ACTIVITY CONTROLLED FRAMERATE)

ACF reduces the frames per second (fps) based on activity cutting bandwidth consumption and maximizing storage space, reducing costs by up to 95%.



### CYBERVIGILANT TECHNOLOGY

Enhance your existing camera firewall by getting alerted of unauthorized access, as it is attempted.



### SERVO FEEDBACK

When encountering external force, such as vandalism, the camera will return immediately to its original position.



### ADAPTIVE INFRARED (IR) LED ILLUMINATION

Automatically provides clear and evidential video even in pitch dark condition for a distance of up to 350 m (1148 ft).



### 360° COVERAGE

Monitor virtually any area within a 360° view, including straight down and above the horizon.



### NDAA COMPLIANT

Approach US government with confidence, knowing our cameras comply with the National Defense Authorization Act.



# Specifications

Camera Features	2MP IR PTZ 30x Camera	2MP IR PTZ 40x Camera	5MP IR PTZ 33x Camera
<b>Sensor</b>	Sony 2M 1/2.8" Progressive CMOS		Sony 5M 1/2.8" Progressive CMOS
<b>Active Pixels (HxV)</b>	HD (1920 x 1080)		5M (2592x1944)
<b>Minimum Sensitivity</b>	Day: 0.02 Lux (colour). Night: 0.001 Lux (mono). F1.6, 1/30s shutter		Day: 0.1 Lux (colour). Night: 0.01 Lux (mono). F1.6, 1/30s shutter
<b>Dynamic Range</b>	WDR 120dB		
<b>Gain Control</b>	Auto / Manual setting		
<b>Wide Dynamic Range</b>	Off / Low / Mid / High		
<b>Back Light Compensation</b>	On / Off @ 50/60 Frame Rates only		
<b>White Balance Mode</b>	Auto / ATW / Smart / One Push / Smart Touch / Manual		
<b>Day/Night</b>	True Day / Night with Mechanical IR Cut Filter		
<b>IR Distance</b>	350m		
<b>Video Resolution</b>	1920x1080 (HD); 1280x1024 (1.3MP); 1280x720 (720p); 800x600 (SVGA); 720x480 and 720x576 (D1); 640x480 (VGA); 352x240 and 352x288 (SIF); 320x240 (QVGA)		2592x1944 (5MP); 2560x1440 (4MP); 1920x1080 (HD); 1280x1024 (1.3MP); 1280x720 (720p); 1024x768 (XGA); 800x600 (SVGA); 720x480 and 720x576 (D1); 640x480 (VGA); 352x240 and 352x288 (SIF); 320x240 (QVGA)
<b>Signal/Noise Level</b>	>45dB		
<b>Lens Options</b>	4.3mm - 129mm. Horizontal view angle 59.0° (W) 2.4° (T), Vertical view angle 35.2° (W), 1.4° (T)	4.3mm - 170mm. Horizontal view angle 66.1° (W) 1.8° (T), Vertical view angle 35.2° (W), 1.4° (T)	4.6mm - 152mm. Horizontal view angle 60.0° (W), 1.9° (T), Vertical view angle 46.4° (W), 1.5° (T)
<b>Zoom</b>	30x optical + 10x digital	40x optical + 10x digital	33x optical + 10x digital
<b>Iris Control</b>	Auto with manual override		
<b>Shutter</b>	Rolling; Auto from 1/1.5 - 1/10000 sec, Anti-Flicker, Slow Shutter (1, 1/2, 1/4, 1/8, 1/15, 1/30)		
<b>Exposure Control</b>	Auto Iris / P-Iris / Iris / Auto Shutter / Shutter / Manual		
<b>Image Stabilizer</b>	Yes		
<b>Video Compression</b>	Full frame rate, full colour: H.265/H.264/MJPEG ; up to 60fps		
<b>Video Bit Rate</b>	User-configurable bit rates from 64Kbps up to 10Mbps		
<b>Video Multi-Streaming</b>	Up to 32Mbps total video output; Unlimited multicast connections. Up to four 8Mbps unicast connections; Up to sixteen 1Mbps unicast connections		
<b>Video Multi-Encoder</b>	Up to four simultaneous resolutions including: 1080p (60fps), 1080p (30fps), 720p (30fps), D1 (30fps), SIF (30fps)	Up to four simultaneous resolutions including: 5MP (30fps), 4MP (30fps), 1080p (60fps), 1080p (30fps), 720p (30fps), D1 (30fps), SIF (30fps)	
<b>Video Analytics</b>	ACF, Motion Detection, Abandoned Object, Intrusion Detection, Video Tamper, Missing Object, Tripwire		
<b>Audio Compression</b>	G.711Mu/AAC		
<b>Audio Analytics</b>	Audio detection		
<b>Audio Input</b>	Line in		
<b>Audio Output</b>	Line out		
<b>Binary Input/Output</b>	2 input; 1 output		
<b>Network Interface</b>	IEEE802.3 and IETF standards: 10/100 Base-T Ethernet, TCP, UDP, RTP, RTSP, ICMP, IGMP, SNMP, HTTP, HTTPS, QoS, DHCP, DNS		
<b>Network Security</b>	HTTPS, CyberVigilant®, IEEE 802.1x		
<b>CyberVigilant® Technology</b>	Yes		
<b>Time</b>	Embedded real-time clock, SNTP client		
<b>SD Storage</b>	SD/SDHC/SDXC 128GB support (card not included)*		
<b>Dimension/Weight</b>	207mm (dia) x 300mm (h) and 3.8kg with sunshield		
<b>Regulatory</b>	EN55032, EN50130-4, EN61000-3-2, EN61000-3-3, EN61000-6-4, CFR47 part 15 Subpart B, UL, EN60068-2-6, EN60068-2-64, EN60068-2-27, EN60068-2-1, EN60068-2-2, EN60068-2-30, EN60529, EN62262		
<b>Housing</b>	Aluminium alloy with polycarbonate dome		
<b>Protection Rating</b>	IP 66, IK10 (excluding front lens cover)		
<b>Electrical</b>	UPOE (Compatible with part number 130179). 30V DC, Max 42W. 24V AC, Max 60W.		
<b>Operating Temperature</b>	-40°C to 50°C		
<b>Cold Start</b>	-40°C		
<b>IndigoVision Software Requirements</b>	Control Center v16.0.1 or later		
<b>Supported Internet Browser</b>	Internet Explorer v11.0 or later		
<b>ONVIF</b>	Profile S, G & T		
<b>NDAA</b>	This product is compliant with the National Defense Authorization Act (NDAA). Section 889 of the NDAA prohibits the U.S. government from procuring video and telecommunications equipment from certain Chinese companies and their subsidiaries.		

\* SDCard Storage independent of IndigoVision's NVRs.

# Specifications

PTZ Control			
Preset	256	Pan Range	360° Continuous Rotation
Preset Accuracy	0.225°	Tilt Range	110° (-20° above horizon)
Preset Tours	8	Pan/Tilt Speed	Pan Speed - 0.1-90°/s. Tilt Speed - 0.1-55°/s
Pattern Mimic Tours	8	Pan/Tilt Warranty	Moving part warranty limited to 5 million Pan and Tilt Operations
Privacy Zones	20 User Defined	Preset Move Speed	300°/s

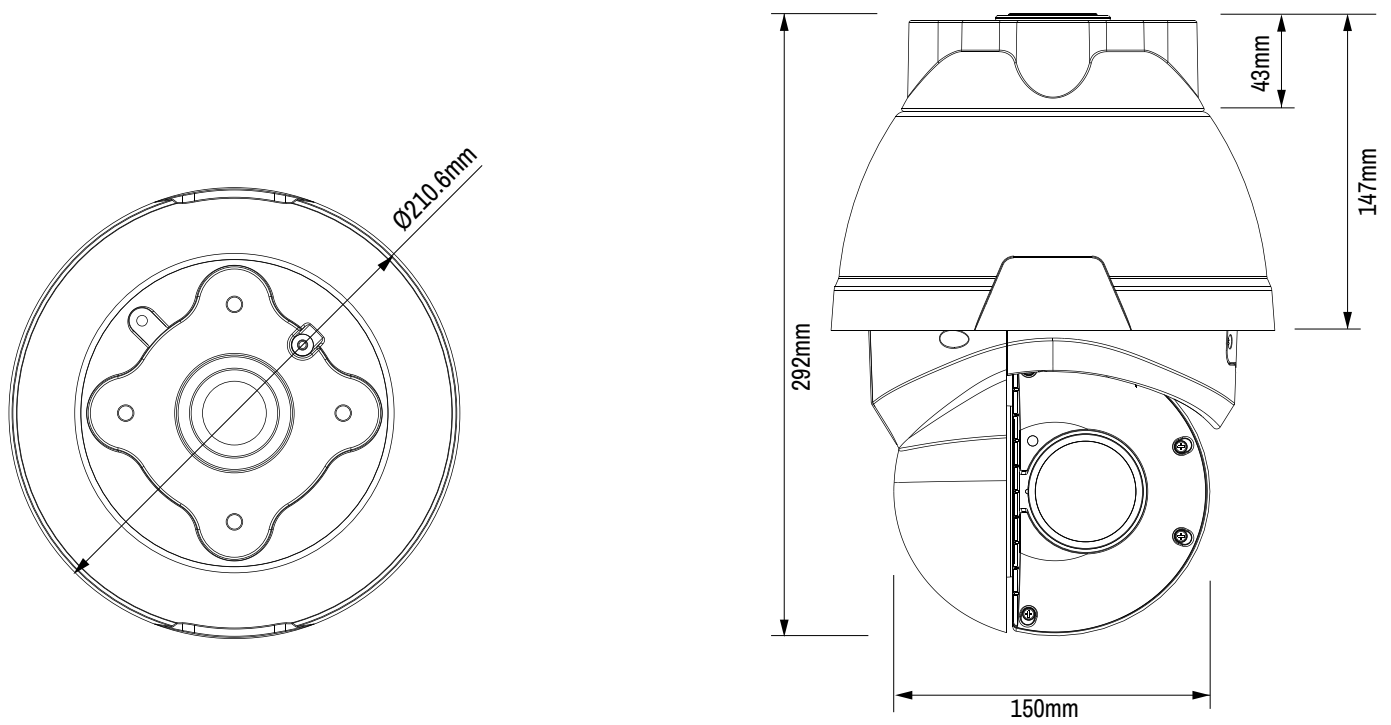
Cable Features	
Length	1.5m cable supplied. 3m (110173) and 9m (110174) available as accessories
Cable	UL2464
Waterproof Rate	IP67
Temperature Range	-40~70°C (Except Cap)
Materials	All plastic and rubber materials should be UV resistant

# Ordering Information

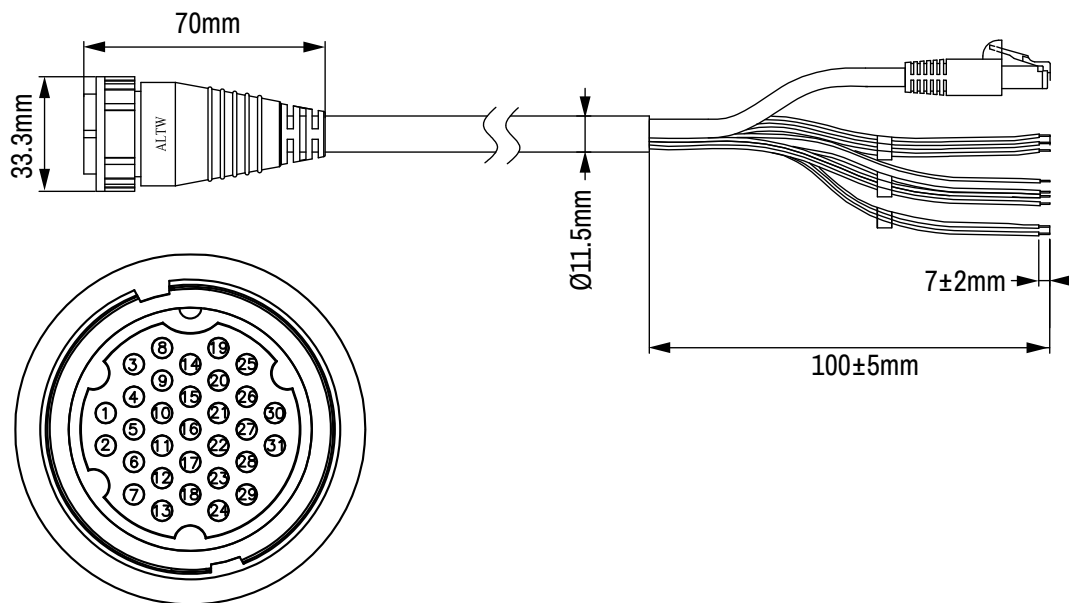
Product Codes	Description
710571	2MP IR PTZ 30x Camera
710570	2MP IR PTZ 40x Camera
712570	5MP IR PTZ 33x Camera

# Outline Dimensions

## IR PTZ Camera



## Amphenol Cable



ID: PTZIR 21.2 MAR 21



# IndigoVision®

a Motorola Solutions Company

**40x**  
Optical



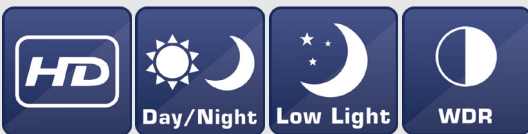
## HD Ultra X PTZ Dome Camera

Capture every detail with ultra-high resolution

With best in class performance, the IndigoVision HD Ultra X PTZ Dome Camera delivers rich, Full HD video and image clarity, in all lighting conditions. Image stabilisation and ultra-low PTZ latency gives smoother operator viewing and control. IndigoVision's SMART.core™ technology gives highly optimised H.265 compression and ACF, reducing storage costs by up to 95%.

### Key Features

SENSOR



COMPRESSION



INTELLIGENCE



OTHER



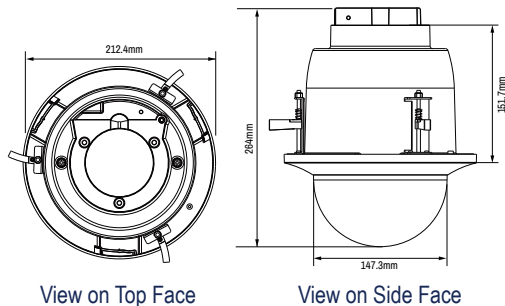
PHYSICAL



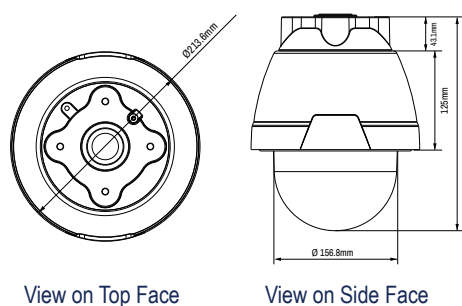
### Product Codes

UX3520 HD Ultra X PTZ Dome Cameras	Product Code
HD Ultra X In-Ceiling PTZ, 40x	710510
HD Ultra X Pendant PTZ, 40x	710561

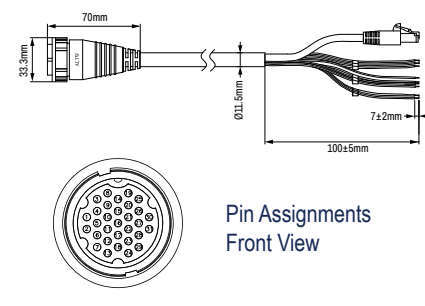
## Dimensions: In-Ceiling PTZ



## Dimensions: Pendant PTZ



## Amphenol Cable



## Specification

Camera Features	In-Ceiling	Pendant	
Sensor	Sony 2M 1/2.8" Progressive CMOS		
Active Pixels (HxV)	HD (1920 x 1080)		
Minimum Sensitivity	Day: 0.02 Lux (colour). Night: 0.001 Lux (mono). F1.6, 1/30s shutter		
Dynamic Range	WDR 120dB		
Gain Control	Auto/Manual setting		
Wide Dynamic Range	Off/Low/Mid/High		
Back Light Compensation	On/Off @ 50/60 Frame Rates only		
White Balance Mode	Auto/Manual/ATW/One Push		
Day/Night	True Day/Night with mechanical IR Cut filter		
Video Resolution	1920x1080 pixels (HD); 1280x1024 pixels (1.3MP); 1280x720 pixels (720p); 1024x768 (XGA); 800x600 (SVGA); 720x480 and 720x576 (D1); 640x480 (VGA); 352x240 and 352x288 (SIF); 320x240 (QVGA)		
Signal/Noise Level	>50dB		
Lens Options	4.3mm - 170mm Horizontal view angle 67.0°(W) 2.0° (T), Auto focus with manual override		
Zoom	40x optical + 10x digital		
Iris Control	Auto with manual override		
Shutter	Rolling; Auto from 1/1.5 - 1/10000 sec, Anti-Flicker, Slow Shutter (1, 1/2, 1/4, 1/8, 1/15, 1/30)		
Exposure Control	Auto Iris / P-Iris / Iris / Auto Shutter / Shutter / Manual		
Image Stabilizer	Yes		
Video Compression	Full frame rate, full colour: H.265/H.264/MJPEG ; up to 60fps		
Video Bit Rate	User-configurable bit rates from 64Kbps up to 10Mbps		
Video Multi-Streaming	Up to 32Mbps total video output; Unlimited multicast connections. Up to four 8Mbps unicast connections; Up to sixteen 1Mbps unicast connections		
Video Multi-Encoder	Up to four simultaneous resolutions including: 1080p (60fps), 1080p (30fps), 720p (30fps), D1 (30fps), SIF (30fps)		
Video Analytics	ACF, Motion Detection		
Audio Compression	G.711Mu/AAC		
Audio Input	Line in		
Audio Output	Line out		
Binary Input/Output	4 input; 2 output	2 input; 1 output	
Network Interface	IEEE802.3 and IETF standards: 10/100 Base-T Ethernet, TCP, UDP, RTP, RTSP, ICMP, IGMP, SNMP, HTTP, HTTPS, QoS, DHCP, DNS, DNS		
Network Security	HTTPS, CyberVigilant®, IEEE 802.1x		
CyberVigilant® Technology	Yes		
Time	Embedded real-time clock, SNTP client		
SD Storage	SD/SDHC/SDXC 128GB support (card not included)*		
Dimension/Weight	212.4mm (dia) x 264mm (h) and 2.6Kg	213.6mm (dia) x 270.8mm (h) and 2.9Kg	
Regulatory	EN55032, EN50130-4, EN61000-3-2, EN61000-3-3, EN61000-6-4, CFR47 part 15 Subpart B, UL60950-1, EN60068-2-6, EN60068-2-64, EN60068-2-27, EN60068-2-1, EN60068-2-2, EN60068-2-30, UL2043 (In-Ceiling), EN60529 (Pendant), EN62262 (Pendant)		
Housing	Aluminium alloy with polycarbonate dome		
Protection Rating	N/A	IP66, IK10	
Electrical	PoE+ (802.3at Class 4) 30VDC @ 0.35A; 10.4W 24V AC @ 0.66A 15.8W	PoE+ (802.3at Class 4) or 30VDC @ 0.61A; 18.3W 24V AC @ 1.1A; 26.4W	
Operating Temperature	-10°C to 50°C	-40°C to 50°C	
Cold Start	-10°C	-20°C	
IndigoVision Software Requirements	Control Center v16.0.1 or later		
Supported Internet Browser	Internet Explorer v11.0 or later		
ONVIF	Profile S		
NDAA	This product is compliant with the National Defense Authorization Act (NDA). Section 889 of the NDA prohibits the U.S. government from procuring video and telecommunications equipment from certain Chinese companies and their subsidiaries.		
<b>PTZ Control</b>			
Preset	256	Pan Range	360° Continuous Rotation
Preset Accuracy	0.225°	Tilt Range	100° (-10° above horizon). For optimum performance Tilt Range of +5 to +10 is recommended.
Preset Tours	8	Pan/Tilt Speed	Pan Speed - 0.1-90°/s. Tilt Speed - 0.1-55°/s
Pattern Mimic Tours	8	Pan/Tilt Warranty	Moving part warranty limited to 5 million Pan and Tilt Operations
Privacy Zones	20 User Defined	Preset Move Speed	5-400°/s
<b>Cable Features</b>			
Length	1.5m cable supplied. 3m (110173) and 9m (110174) available as accessories		
Cable	UL2464		
Waterproof Rate	IP67		
Temperature Range	-40~70°C (Except Cap)		
Materials	All plastic and rubber materials should be UV resistant		

\* SD Card Storage independent of IndigoVision's NVRs.





# PTZ Dome Cameras

High-end: performance, not price tag.

With BX HD and 4MP PTZ Dome Cameras, receive supreme connectivity and flexibility, combined with great video and audio. Also receive maximum reliability and other significant benefits of IndigoVision's Distributed Network Architecture. BX HD and 4MP PTZ Dome Cameras deliver a different dimension of safety when combined with IndigoVision's Control Center.

## Key Features

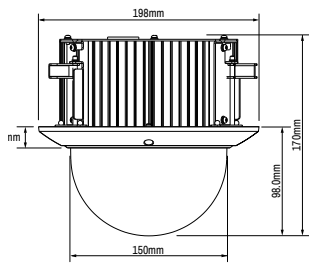
SENSOR					
COMPRESSION					
INTELLIGENCE					
OTHER					
PHYSICAL					

## Product Codes

BX520 PTZ Dome Cameras	Product Code
In-Ceiling HD PTZ Dome	610500
Environmental Pendant HD PTZ Dome	610560
In-Ceiling 4MP PTZ Dome	611500
Environmental Pendant 4MP PTZ Dome	611560

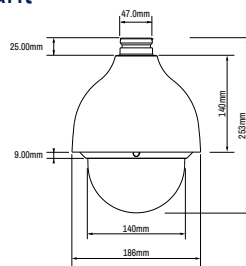


## Dimensions: In-Ceiling



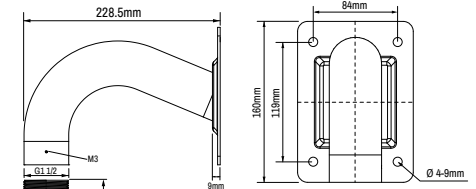
View on Side Face

## Dimensions: Environmental Pendant



View on Side Face

## Dimensions: Wall Mount



View on Side Face

View on Front Face

## Specification

Camera Features	HD	4MP	
Sensor	1/2.8" STARVIS™ CMOS	1/2.8" Progressive CMOS	
Active Pixels (HxV)	HD (1920 x 1080)	4MP (2560 x 1440)	
Minimum Sensitivity	Day: 0.01 Lux (colour). Night: 0.001 Lux (mono). 30 IRE, F1.6, 1/30s shutter	Day: 0.05 Lux (colour). Night: 0.01 Lux (mono). 30 IRE, F1.6, 1/10s shutter	
Dynamic Range		WDR>120dB	
Gain Control		Auto/Manual	
Back Light Compensation		On/Off	
White Balance Mode		Auto/Manual	
Day/Night		True Day/Night with Mechanical IR Cut Filter	
Video Resolution	2560 x 1440 pixels (4MP)**; 1920x1080 pixels (1080p); 1280x720 pixels (720p); 720x576 pixels (D1); 352x288 pixels (SIF)		
Signal/Noise Level		> 50dB	
Lens Options	4.3mm - 129mm Horizontal view angle 66.5°(W) 3.25° (T), F1.6 to F4.4, Auto focus with manual override		
Zoom		30x optical + 10x digital	
Iris Control		Auto with manual override	
Shutter		Rolling; Auto from 1 - 1/10000 sec	
Exposure Control		Auto/Manual/Slow AE/Shutter-priority/Iris-priority	
Image Stabilizer		On/Off	
Video Compression	Full frame rate, full colour: H.265/H.264/MJPEG ; up to 60fps (ISO 14496-10)		
Video Bit Rate	User-configurable bit rates from 64Kbps up to 8Mbps		
Video Multi-Streaming	Up to 32Mbps total video output; Unlimited multicast connections. Up to four 8Mbps unicast connections; Up to sixteen 1Mbps unicast connections		
Video Multi-Encoder	4MP (30fps), 1080p (60fps), 720p (30fps), D1 (30fps), SIF (30fps)		
Video Analytics^	Motion Detection, Tripwire, Intrusion, Abandoned Object, Missing Object, Scene Change, Video Tamper, Face Detection		
Intelligence	Heat Map		
Audio Compression	G.711		
Audio Bit Rate	32Kbps per channel		
Audio Resolution	Full Duplex 8kHz sample rate. Mono Input, Mono Output		
Audio Analytics^	Audio Input Abnormal, Audio Intensity High		
Audio Input	Line in		
Audio Output	Line out		
Binary Input/Output	2 Pull up inputs for non powered contacts; 1 solid state opto-isolated relay output, Max 24V, 500mA		
Network Interface	IEEE802.3 and IETF standards: 10/100 Base-T Ethernet, TCP, UDP, RTP, RTSP, ICMP, IGMP, SNMP, HTTP, HTTPS, PPPoE, uPnP, QoS, DHCP		
Network Security	HTTPS, IP Filter, IEEE 802.1x		
Time	Embedded real-time clock, NTP client		
SD Storage	microSDHC 128GB support (card not included)*		
Dimension/Weight	InCeiling - 198mm (dia) x 170mm (h) and 2.2Kg Environmental Pendant - 186mm (dia) x 253mm (h) and 2.5Kg		
Regulatory	EN 55022 Class A, EN 61000-3-2, EN 61000-3-3, AS/NZS CISPR 22, FCC Part 15 Subpart B Class A, EN 50130-4, EN 50121-4***, UL 60950-1, UL 60950-22, AS/NZS CISPR 24, IEC 61000-4-2, IEC 61000-4-3, IEC 61000-4-4, IEC 61000-4-5, IEC 61000-4-6, IEC 61000-4-8, IEC 61000-4-11		
Housing	Vandal resistant aluminium alloy and Polycarbonate/ABS housing and clear polycarbonate dome including 400mm cable bundle		
Protection Rating	InCeiling - IP66/IK10 Environmental Pendant - IP67/IK10		
Electrical	InCeiling - PoE + (802.3at Class 4) or 24V AC, 13W. Power supply ordered separately (Product code: 130176) Environmental Pendant - Camera Only: PoE + (802.3at Class 4) or 24V AC, 13W. Power supply ordered separately (Product code: 130176) Camera with Heater: PoE + (802.3at Class 4) or 24V AC, 23W. Power supply ordered separately (Product code: 130176)		
Operating Temperature	InCeiling - -10°C to 60°C Environmental Pendant - -20°C to 60°C (PoE+ Power); -40°C to 60°C (24V AC Power)		
Cold Start	InCeiling - -10°C Environmental Pendant - -20°C		
Supplied Accessories	InCeiling - N/A Environmental Pendant - Wall Mount bracket with 1.5" BSP Thread Adaptor		
IndigoVision Software Requirements	Control Center v13.2 or later		
Supported Internet Browsers	Internet Explorer v11.0 or later		
ONVIF	Profile S		
<b>PTZ Control</b>			
Preset	300	Pan Range	360° Continuous Rotation
Preset Tours	8	Tilt Range	180°
Pattern/Mimic Tours	5	Pan/Tilt Speed	Pan Speed - 0.5-350°/s, Tilt Speed - 0.5-250°/s
Privacy Zones	24 User Defined	Pan/Tilt Warranty	Moving part warranty limited to 2 million Pan and Tilt Operations

\* SDCard Storage independent of IndigoVision's NVRs. \*\*4MP resolution available on 4MP variant. \* H.265 requires Control Center 16.0 or later. H.265 streaming is supported only on 2MP or lower resolutions.

\*\*\* Only on pendant version. ^ Integration into Control Center as Basic Analytics only.



# SP Multisensor Camera

Capture every detail in a 360° rotation in Ultra High Resolution

The SP Multisensor camera comes with 4 individually positionable and configurable camera sensors offering 5MP resolution on each sensor. With effective resolution of 20MP, the camera provides excellent image quality to cover large areas. You also get maximum reliability with IndigoVision's Distributed Network Architecture, which removes the requirement for a central server, ensuring you never lose access to live video and benefit from minimal latency.

## Key Features & Benefits



### INCREASED RANGE OF SENSOR POSITIONING

The camera features four individually-adjustable camera sensors that can be positioned to monitor virtually any area.



### WIDE DYNAMIC RANGE

Available in all resolutions, capture details in scenes with both very bright and dark areas, so you can detect suspicious activity in all lighting conditions.



### LOW LIGHT TECHNOLOGY

Deliver safety and capture unexceptionably detailed footage even in low-light settings.



### ADAPTIVE INFRARED (IR)

Automatically adjusts IR performance based on scene conditions to help maximize image quality.



### IP AND IK RATED

Trust the robustness and reliability of your system with IP66 weather rating and IK08 impact rating for vandal resistance.



### H.265 WITH SMARTCODEC TECHNOLOGY

Reduce costs by maximizing bandwidth utilization and storage consumption without compromising image quality.



### INTERCHANGEABLE CAMERA MOUNTS

Modular design. Simple and intuitive to install so that you can be up and running in minutes



### AUDIO CAPABILITIES

Available ports for external audio including sirens, microphones and/or loudspeakers for audio talk-down situations.



### ONVIF<sup>®</sup> COMPLIANT

Built on an open platform to allow integration with other security solutions, so you can expand your existing security system.



### EXPANDABLE STORAGE

Use our slot for either SD or MicroSD memory card and get video recordings even during network interruptions.



### 5 YEAR WARRANTY

Gain peace of mind with products backed by a 5-year, industry-leading warranty.



### RELAY I/O CONNECTIONS FOR FAST RESPONSE

Configure input actions (such as alarms) that trigger an external relay to perform an action (e.g., turn lights on).

# Specifications

Image Performance (per image sensor)	
Sensor	1/2.8" Progressive CMOS
Active Pixels	2592 x 1944
Maximum Resolution	10368 x 1944
Aspect Ratio	4:3
IR Illumination - Optional (high power 850 nm LEDs)	30m (98 ft) maximum distance at 0 lux
Minimum Illumination	0.025 lux (F1.2) in color mode 0.005 lux (F1.2) in mono mode 0 lux with optional IR illuminator
Dynamic Range	100 dB, true WDR, dual exposure
3D Noise Reduction Filter	Yes
Image Rate – Analytics Enabled on All Sensors	13 / 13 fps (60 Hz/50Hz)
Image Rate – High Framerate Mode	15 / 14 fps (60 Hz/50Hz)
Lens and Horizontal Field of View	2.8mm f1.2 – 103° Remote focus

Image Control	
Image Compression Method	H.264, H.265, Motion JPEG
Streaming	Multi-stream H.264, Multi-stream H.265, Motion JPEG
Motion Detection	Selectable sensitivity and threshold
Electronic Shutter Control	Automatic, Manual (1/8 to 1/8000 sec)
Iris Control	Fixed
Day/Night Control	Automatic, Manual
Flicker Control	60 Hz, 50 Hz
White Balance	Automatic, Manual
Backlight Compensation	Adjustable
Privacy Zones	Up to 64 zones
Audio Compression Method	G.711 PCM 8 kHz
Audio Input/Output	Line level input and output
External I/O Terminals	Alarm In, Alarm Out

Network	
Network	Gigabit Ethernet, 1000BASE-TX
Cabling Type	CAT5E
Connector	RJ-45
API	ONVIF® compliance Profile S and Profile T ( <a href="http://www.onvif.org">www.onvif.org</a> )
Security	Password protection, HTTPS encryption, digest authentication, WS authentication, user access log, 802.1x port based authentication, CyberVigilant
Protocol	IPv4, IPv6, HTTP, HTTPS, SOAP, DNS, NTP, RTSP, RTCP, RTP, TCP, UDP, IGMP, ICMP, DHCP, Zeroconf, ARP
Streaming Protocols	RTP/UDP, RTP/UDP multicast, RTP/RTSP/TCP, RTP/RTSP/HTTP/TCP, RTP/RTSP/HTTPS/TCP, HTTP
Device Management Protocols	SNMP v2c, SNMP v3
Software Requirements	Control Center v17.2 or later

Peripherals	
Onboard Storage	MicroSD/microSDHC/microSDXC slot – class 10/UHS-1 or better recommended

# Specifications

	In-Ceiling Mount	Surface Mount	Pendant Mount
<b>Mechanical</b>			
<b>Dimension</b>	Ø299 mm × 163 mm (Ø11.77" × 6.42"), below mounting surface: Ø299 mm × 76 mm (Ø11.77" × 2.99")	Ø299 mm × 115 mm (11.77" × 4.53")	With wall arm: 385 mm × 262 mm × 299 mm (15.15" × 10.30" × 11.77") With NPT adapter: Ø299 mm × 248 mm (Ø11.77" × 9.76")
<b>Weight</b>	5.2 kg (11.5 lbs)	With IR: 7 kg (15.4 lbs) Without IR: 5.8 kg (12.8 lbs)	With wall arm and IR: 8.4 kg (18.5 lbs) With wall arm only: 7.3 kg (16.1 lbs) With NPTA adapter and IR: 7.8 kg (17.2 lbs) With NPTA adapter only: 6.7 kg (14.8 lbs)
<b>Body</b>	Aluminum, Plastic dome trim	Aluminum	Aluminum
<b>Finish</b>	Plastic, cool grey	Powder coat, cool grey	Powder coat, cool grey
<b>Environmental</b>	Not applicable	IK10 Impact Rating and IP66 Weather Rating	
<b>Optional IR Illuminator Ring</b>	Not applicable	Optional accessory, 30m (98 ft) IR range	

<b>Per Sensor</b>	
<b>Tilt</b>	+7° to 96° from horizon
<b>Pan</b>	+/-120° (depending on position of image sensors)
<b>Azimuth</b>	+/-180°

<b>Electrical</b>			
<b>Power Consumption</b>	26 W with 24 VDC 37 VA with 24 VAC POE+	With IR: 52 W with 24 VDC 74 VA with 24 VAC POE++ or 60W POE* Without IR: 26 W with 24 VDC 37 VA with 24 VAC POE+	With IR: 52 W with 24 VDC 74 VA with 24 VAC POE++ or 60W POE* Without IR: 26 W with 24 VDC 37 VA with 24 VAC POE+
<b>External Power</b>	24 VDC ± 10%; 24 VAC rms ± 10%, 50 or 60Hz		
<b>PoE*</b>	25.5W PoE+, IEEE 802.3at Type 2 PoE Plus	With IR: High Power 51W PoE++* Without IR: 25.5W PoE+, IEEE 802.3at Type 2 PoE Plus	

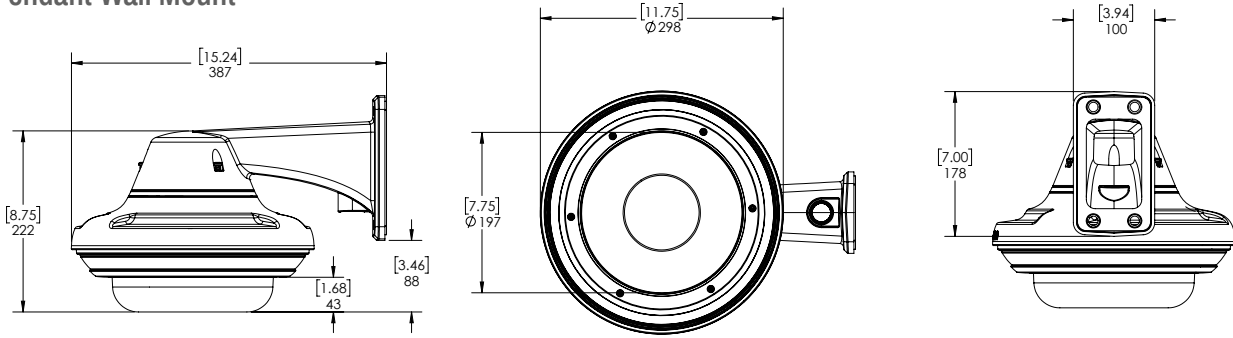
\* High power PoE may not be compatible with all switches or injectors. High power PoE is compatible with Cisco® UPoE, up to 60 W over 4 pairs, or with the high PoE products listed in the Accessories section.

<b>Environmental</b>		
<b>Operating Temperature Range</b>	-10 °C (14 °F) to 50 °C (122 °F)	-40 °C (-40 °F) to 60 °C (140 °F)
<b>Storage Temperature</b>	-10 °C to 70 °C (14 °F to 158 °F)	
<b>Humidity</b>	0-95% non-condensing	

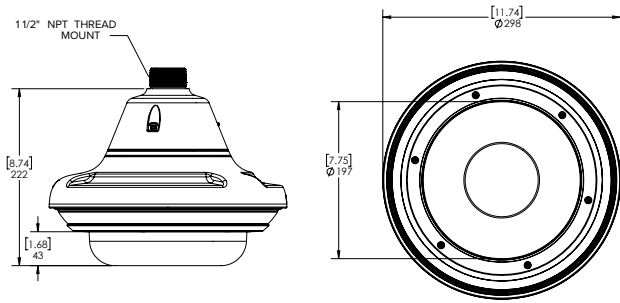
<b>Certifications</b>		
<b>Certifications</b>	UL, cUL, CE, ROHS, WEEE, RCM, EAC, BIS, KC	
<b>Safety</b>	UL 62368-1, CSA 62368-1, IEC/EN 62368-1	
<b>Environmental</b>	UL 2043 Plenum	UL/CSA/IEC 60950-22 IEC 60529 IP66 Rating, IK10 Impact Rating, IEC 60068-2-6 IEC 60068-2-27 Vibration and Shock
<b>Electromagnetic Emissions</b>	FCC Part 15 Subpart B Class B, IC ICES-003 Class B, EN 55032 Class B, EN 61000-6-3, EN 61000-3-2, EN 61000-3-3, EN 50121-4 (when used with AUX-FERR-TRKSID on aux power)	
<b>Electromagnetic Immunity</b>	EN 55035, EN 61000-6-1	
<b>Directives</b>	RoHS, Reach (SVHC), WEEE	

# Outline Dimensions

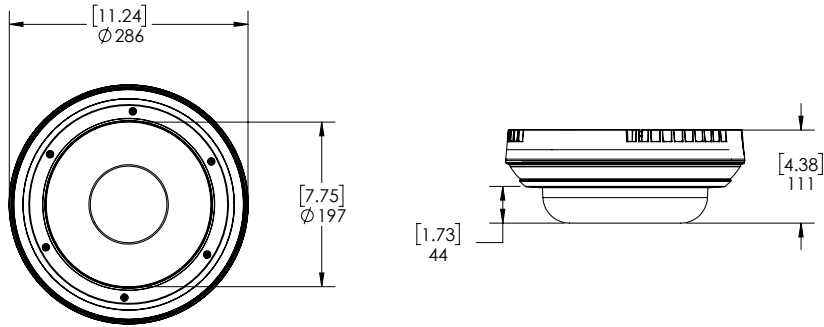
## Pendant Wall Mount



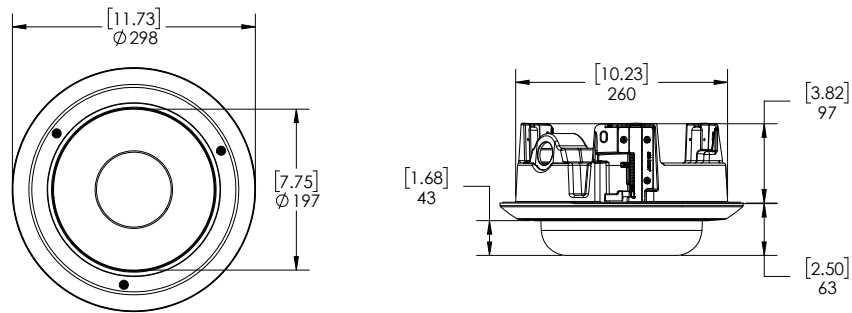
## Pendant NPT Mount



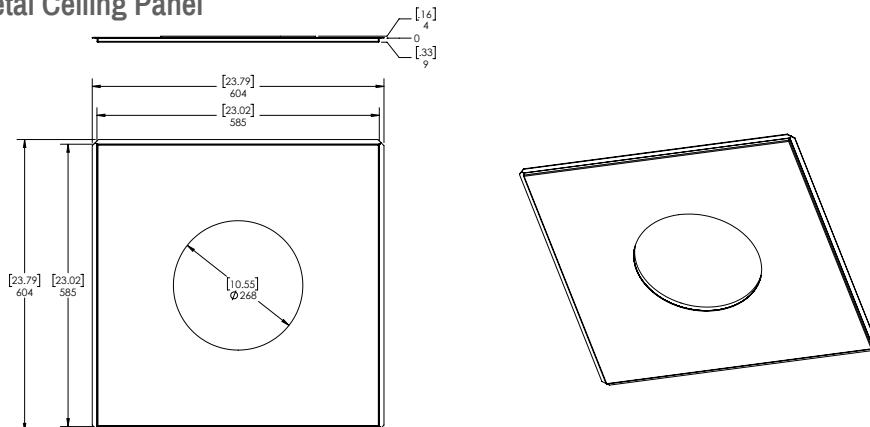
## Surface Mount



## In-Ceiling Mount



## Metal Ceiling Panel



[X.X]	INCHES
X	MM

# Ordering Information

The variety of mounting options for the SP Multisensor provides maximum flexibility. The camera module can be used in any of the mounting options.

Mounting Scenario	Ordering Information
<b>PENDANT WALL MOUNT</b> 	Order one of: <ul style="list-style-type: none"> <li>• Camera module (SP-20MP-MS-360)</li> <li>• MS-AD-PEND</li> <li>• MS-DO-COVR-CLR or MS-DO-COVR-SMK</li> <li>• MS-IRPTZ-WALL-MNT</li> <li>• Optional, MS-AD-IRIL</li> </ul>
<b>PENDANT NPT MOUNT</b> 	Order one of: <ul style="list-style-type: none"> <li>• Camera module (SP-20MP-MS-360)</li> <li>• MS-AD-PEND</li> <li>• MS-DO-COVR-CLR or MS-DO-COVR-SMK</li> <li>• MS-IRPTZ-NPTA-MNT</li> <li>• Optional, MS-AD-IRIL</li> </ul>
<b>SURFACE MOUNT</b> 	Order one of: <ul style="list-style-type: none"> <li>• Camera module (SP-20MP-MS-360)</li> <li>• MS-AD-DOME</li> <li>• MS-DO-COVR-CLR or MS-DO-COVR-SMK</li> <li>• Optional, MS-AD-IRIL</li> </ul>
<b>IN-CEILING MOUNT</b> 	Order one of: <ul style="list-style-type: none"> <li>• Camera module (SP-20MP-MS-360)</li> <li>• MS-AD-CEIL</li> <li>• MS-DC-COVR-CLR or MS-DC-COVR-SMK</li> <li>• Optional, MS-DC-CPNL if ceiling panel needed</li> </ul>

Display Part Number	Product Code	Description
SP-20MP-MS-360	754980	SP Multisensor, Camera Module Only

## Mounting Adapters and Dome Covers

The SP Multisensor modular design provides pendant, surface, or in ceiling mounting adapters and a choice of two dome compatible covers per mounting option.

Display Part Number	Product Code	Description
MS-AD-DOME	150251	Outdoor surface mount adapter, must order either a MS-DO-COVR-CLR or MS-DO-COVR-SMK.
MS-AD-PEND	150252	Outdoor pendant mount adapter, must order one of MS-IRPTZ-WALL-MNT or MS-IRPTZ-NPTA-MNT and one of MS-DO-COVR-CLR or MS-DO-COVR-SMK.
MS-IRPTZ-WALL-MNT	150500	Pendant wall arm adapter, for use with MS-AD-PEND.
MS-IRPTZ-NPTA-MNT	150501	Pendant NPT adapter for use with MS-AD-PEND.
POLE-MNT	150506	Aluminum pole mounting bracket.
CRNR-MNT	150507	Aluminum corner mounting bracket.
MS-AD-CEIL	150253	In-ceiling adapter, must order either a MS-DC-COVR-CLR or MS-DC-COVR-SMK.
MS-DO-COVR-CLR	150400	Dome bubble and cover, for outdoor surface mount or pendant mount, clear.
MS-DO-COVR-SMK	150401	Dome bubble and cover, for outdoor surface mount or pendant mount, smoked. Not recommended for lowlight applications.
MS-DC-COVR-CLR	150403	Dome bubble and cover, for in-ceiling mount, clear.
MS-DC-COVR-SMK	150402	Dome bubble and cover, for in-ceiling mount, smoked. Not recommended for lowlight applications.
MS-DC-CPNL	150258	Metal ceiling panel.



# Ordering Information

## Optional IR Illuminator

The optional IR Illuminator is available for the SP Multisensor when mounted in a pendant or surface mount adapter.

Display Part Number	Product Code	Description
MS-AD-IRIL	150250	Optional IR illuminator ring, up to 30m (98ft), for use with MS-DO-COVR-CLR.

## Optional Injectors

Display Part Number	Product Code	Description
POE-60	150101	Indoor single port Gigabit PoE++ 60W, Region specific power cord included. Temperature range of the PoE injector is -10 °C to +45 °C (14 °F to 113 °F).
POE-30	150100	Indoor single port POE+ injector. Injector operational temperature range -20°C to +40°C (-4°F to 104°F).

## Miscellaneous Accessories

Display Part Number	Product Code	Description
AUX-FERR-TRKSID	150550	Ferrite clamp for use with aux power cable when meeting EN 50121-4 requirements. Pack of 5.

ID: SPMULTI 21.5 MAY 21



# SP Thermal Cameras

Capture every detail with industry-leading thermal technology

The SP Thermal Camera is the perfect solution for low light, long range thermal applications. You also get maximum reliability with IndigoVision's Distributed Network Architecture, which removes the requirement for a central server, ensuring you never lose access to live video and benefit from minimal latency. The SP Thermal Camera delivers a different dimension of safety when combined with IndigoVision's Control Center.

## Key Features & Benefits



### ONVIF<sup>®</sup> COMPLIANT

Built on an open platform to allow integration with other security solutions, so you can expand your existing security system.



### SMARTCODEC TECHNOLOGY

Reduce costs by maximizing bandwidth utilization and storage consumption without compromising image quality.



### EXPANDABLE STORAGE

Use our slot for either SD or MicroSD memory card and get video recordings even during network interruptions.



### IP AND IK RATED

Trust the robustness and reliability of your system with IP66/7 weather rating and IK10 impact rating for vandal resistance.



### 5 YEAR WARRANTY

Gain peace of mind with products backed by a 5-year, industry-leading warranty.



### MULTIPLE LENS OPTIONS

Choose from various lens options, which allow human detection at distances of up to 310 meters.



### RELAY I/O CONNECTIONS FOR FAST RESPONSE

Configure input actions (such as alarms) that trigger an external relay to perform an action (e.g., turn lights on).



### AUDIO CAPABILITIES

Available ports for external audio including sirens, microphones and/or loudspeakers for audio talk-down situations.



### NDA COMPLIANT

Approach US government with confidence, knowing our cameras comply with the National Defense Authorization Act.

# Specifications

Image Performance	QVGA	VGA
Sensor	320x256 Uncooled VOx Microbolometer	640x512 Uncooled VOx Microbolometer
Pixel Pitch	12µm	
Spectral Range	8µm to 14µm	
Aspect Ratio	5:4	
Imaging Rate	8.6 fps	
Dynamic Range	-40 °C to 225 °C (-40 °F to 437 °F) [may vary based on operating temperature]	
Resolution Scaling	320x256, can be scaled up to 640x512	640x512, can be scaled down to 320x256
3D Noise Reduction Filter	Yes	
Sensitivity	NETD <60mK	
Image Uniformity Optimization	Automatic Flat Field Correction (FFC) - Thermal and Temporal	

Lens						
Lens	4.3 mm, F1.0, Athermalized	9.1 mm, F1.0, Athermalized	18.0 mm, F1.0, Athermalized	8.7 mm, F1.0, Athermalized	18.0 mm, F1.0, Athermalized	36.0 mm, F1.0, Athermalized
Angle of View (H x V)	45.9° x 36.5°	21.6° x 17.0°	10.8° x 8.4°	50.7° x 40.4°	24.3° x 19.3°	12.2° x 9.7°

Image Control	
Image Compression Method	H.264 (MPEG-4 Part 10/AVC), Motion JPEG
Streaming	Multi-stream H.264 & MJPEG
Bandwidth Management	Idle Scene Mode, SmartCodec Technology
Motion Detection	Pixel and Classified Objects
Tamper Detection	Yes
Privacy Zones	Up to 64 zones
Audio Compression Method	G.711 PCM 8kHz

Network	
Network	100BASE-TX, RJ45 Connector, CAT5 Cabling
ONVIF	ONVIF® compliant with Profile S, Profile G and Profile T (www.onvif.org)
Security	Password protection, HTTPS encryption, digest authentication, WS authentication, user access log, 802.1x port based authentication, CyberVigilant
Protocol	IPv6, IPv4, HTTP, HTTPS, SOAP, DNS, NTP, RTSP, RTCP, RTP, TCP, UDP, IGMP, ICMP, DHCP, Zeroconf, ARP
Streaming Protocols	RTP/UDP, RTP/UDP multicast, RTP/RTSP/TCP, RTP/RTSP/HTTP/TCP, RTP/RTSP/HTTPS/TCP, HTTP
Device Management Protocols	SNMP v2c, SNMP v3
Software Requirements	Control Center v17.2 or later

Peripherals	
Onboard Storage	SD/SDHC/SDXC slot – minimum class 4; class 6 or better recommended
External I/O Terminals	Alarm In, Alarm Out
Audio Input/Output	Line level input and output

Mechanical (Dome)		
Dimensions (LxWxH)	335 mm x 126 mm x 91 mm; 13.18" x 4.97" x 3.58" (including mounting bracket and fully extended sunshield overhang)	
Weight	Camera	1.72 kg (3.79 lbs)
	Mounting Bracket	0.21 kg (0.46 lbs)
Body	Aluminium	
Housing	Surface mount, tamper resistant	
Finish	Powder coat, RAL 9003	
Adjustment Range	±175° pan, ±90° tilt, ±175° azimuth	

Electrical		
Power Consumption	8W	9W
Power Source	VDC: 12V +/- 10%, 8W min. VAC: 24V +/- 10%, 15VA min. PoE: IEEE802.3af Class 3 compliant	VDC: 12V +/- 10%, 9W min. VAC: 24V +/- 10%, 15VA min. PoE: IEEE802.3af Class 3 compliant
RTC Backup Battery	3V manganese lithium	

# Specifications

Environmental	
Operating Temperature	-40 °C to +65 °C (-40 °F to 149 °F)
Storage Temperature	-10 °C to +70 °C (14 °F to 158 °F)
Humidity	0 - 93% non-condensing

Certifications		
Certifications/ Directives	UL, cUL, CE, ROHS, Reach (SVHC), WEEE, RCM, EAC	UL, cUL, CE, ROHS, Reach (SVHC), WEEE, RCM, EAC
Safety	UL 62368-1, CSA 62368-1, IEC/EN 62368-1	
Environmental	UL/CSA/IEC 60950-22, IEC 60529 IP66 Weather Rating, IK10 Impact Rating (including window)	UL/CSA/IEC 60950-22, IEC 60529 IP66 and IP67 Weather Rating, IK10 Impact Rating (enclosure only)
Electromagnetic Emissions	FCC Part 15 Subpart B Class B, IC ICES-003 Class B, EN 55032 Class B, EN 61000-6-3, EN 61000-3-2, EN 61000-3-3	
Electromagnetic Immunity	EN 55035, EN 61000-6-1, EN 50130-4	EN 55035, EN 61000-6-1

Lens	Resolution	Viewing Angle (H x V)	Human	Vehicle
4.3 mm	320 x 256	45.9° x 36.5°	68m (224')	80m (263')
9.1 mm	320 x 256	21.6° x 17.0°	150m (493')	160m (525')
18 mm	320 x 256	10.8° x 8.4°	220m (722')	225m (739')
8.7 mm	640 x 512	50.7° x 40.4°	120m (394')	142m (466')
18 mm	640 x 512	24.3° x 19.3°	210m (689')	225m (739')
36 mm	640 x 512	12.2° x 9.7°	310m (1017')	319m (1047')

The detection ranges may vary in different weather conditions.

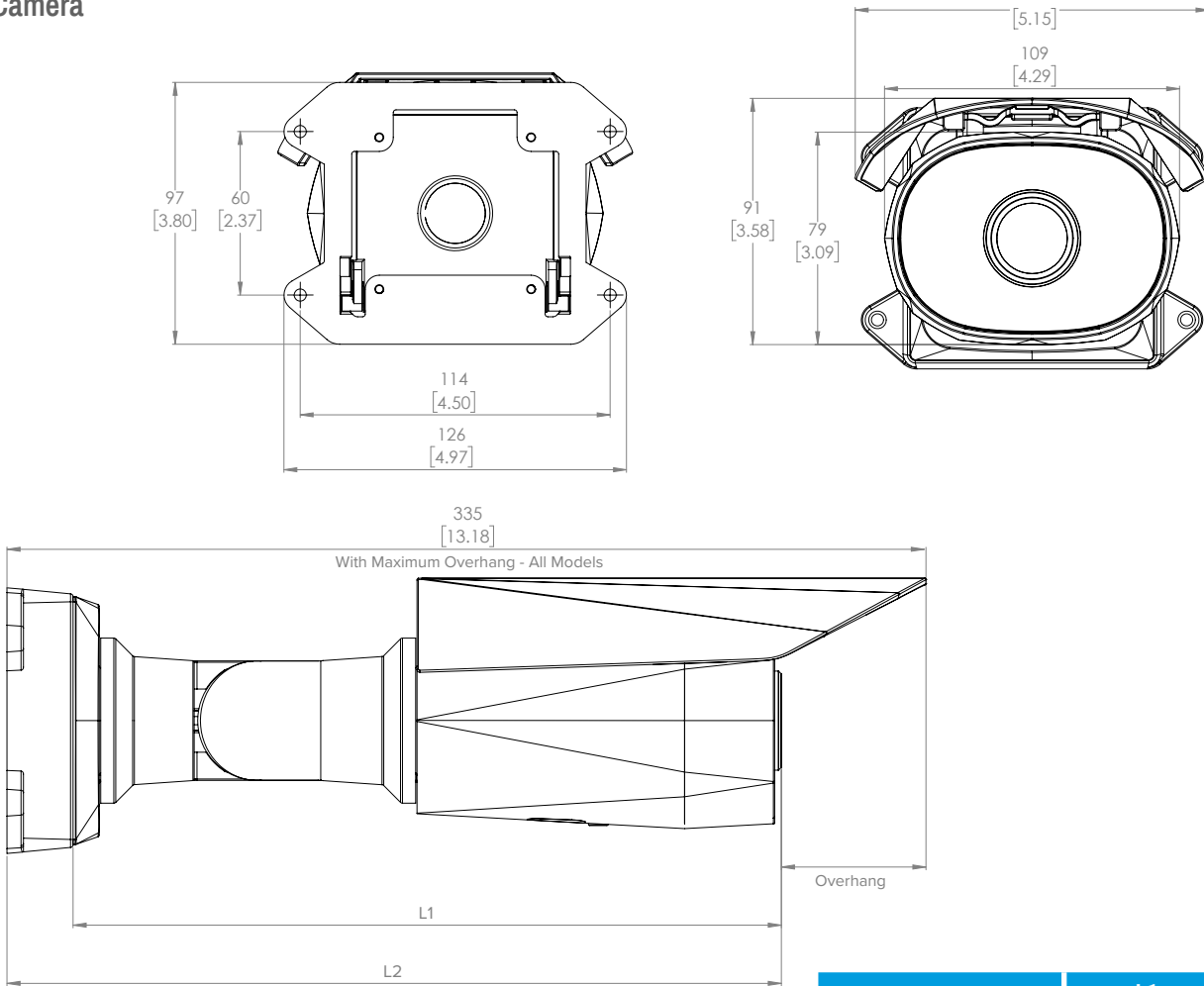
# Ordering Information

Model	Product Code	Resolution	NETD	Lens	SmartCodec
SP-320-BO-4	759683	320 x 256	< 60 mK	4.3 mm	✓
SP-320-BO-9	759684	320 x 256	< 60 mK	9.1 mm	✓
SP-320-BO-18	759685	320 x 256	< 60 mK	18 mm	✓
SP-640-BO-9	759680	640 x 512	< 60 mK	8.7 mm	✓
SP-640-BO-18	759681	640 x 512	< 60 mK	18 mm	✓
SP-640-BO-36	759682	640 x 512	< 60 mK	36 mm	✓

Display Part Number	Product Code	Description
BO-JCT-BOX	150300	Junction box for bullet cameras
POLE-MNT	150506	Aluminum pole mounting bracket
CRNR-MNT	150507	Aluminum corner mounting bracket

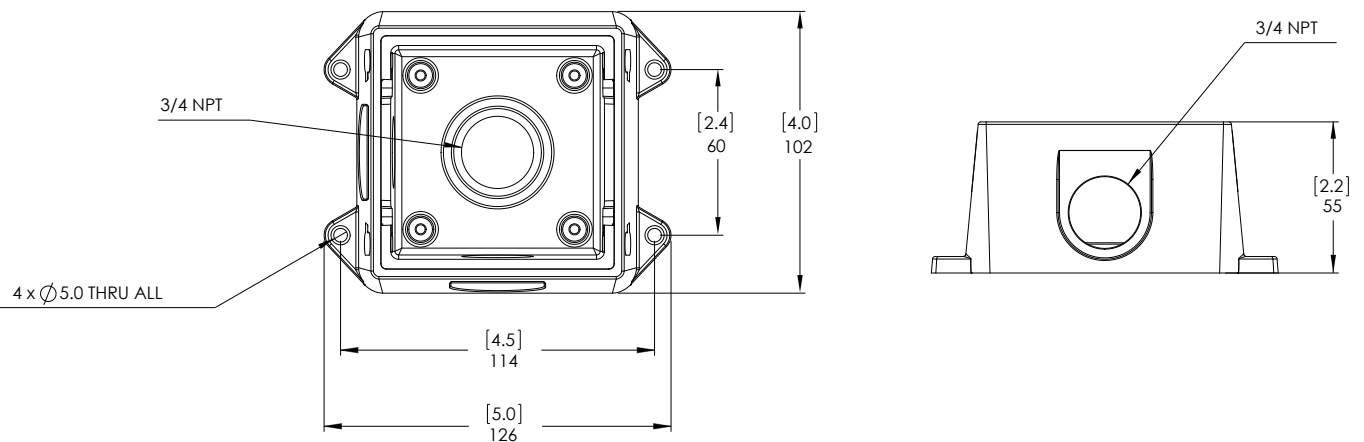
# Outline Dimensions

## Camera



	L1	L2
SP-640-BO-36	276 mm (10.87")	300 mm (11.81")
All other models	257 mm (10.14")	281 mm (11.08")

## Junction Box



ID: SPTRM 21.3 MAY 21



# Fisheye Cameras

Amazing Megapixel video that delivers detail from every angle

Part of IndigoVision's professional BX Range, the Fisheye Camera delivers 360° visibility with pinsharp detail. When used as part of IndigoVision's end-to-end system, any single point of failure is removed through IndigoVision's Distributed Network Architecture (DNA) technology.

## Key Features

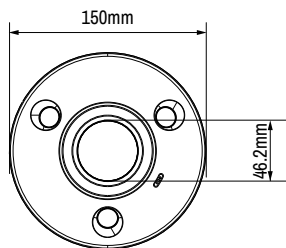
SENSOR	<b>6MP</b>	<b>12MP</b>	<b>Day/Night</b>	<b>WDR</b>
	<b>H.264</b>	<b>UP TO 30fps</b>	<b>G.711</b>	
	<b>Analytics</b>	<b>Motion Detection</b>		
	<b>DNA</b>	<b>PoE</b>	<b>ONVIF</b>	
OTHER	<b>Outdoor</b>	<b>IR</b>	<b>IK10</b>	<b>Integral Mic</b>

## Product Codes

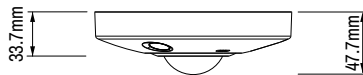
BX720 Fisheye Cameras	Product Code
6MP Fisheye Camera with Built-In IR Illuminator	612740
12MP Fisheye Camera with Built-In IR Illuminator	614740



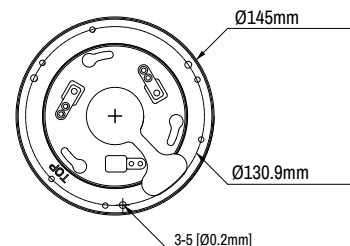
## Dimensions



View on Top Face



View on Side Face



Mounting Hole Pattern

## Specification

Camera Features	6MP	12MP
Sensor	1/1.8" Progressive CMOS	1/1.7" Progressive CMOS
Active Pixels (HxV)	6MP (3072x2048)	12MP (4000x3000)
Minimum Sensitivity	Day: 0.02 lux (colour). Night: 0 lux (mono). 30 IRE, F2.0, 1/30s shutter	Day: 0.01 lux (colour). Night: 0 lux (mono). 30 IRE, F2.8, 1/30s shutter
Dynamic Range	WDR 100dB Max	
Gain Control	Auto/Manual	
Back Light Compensation	On/Off	
White Balance Mode	Auto, Natural, Streetlamp, Outdoor, Manual, Regional Custom	
Day/Night	True Day/Night with Mechanical IR Cut Filter	
IR Illuminator	Built-in IR Illuminator 850nm wavelength, effective distance >10m	
Video Resolution	3072x2048 (6MP) 2048x2048 (4MP) 1600x1200 (2MP) 2048x1536 (3MP) 1280x720 (720P) 704x576 (D1) 704x480 (D1) 352x288 (SIF) 352x240 (SIF)	4000x3000 (12MP) 2880x2880 (8MP) 2880x2160 (6MP) 2048x1536 (3MP) 1280x720 (720P) 704x576 (D1) 704x480 (D1) 352x288 (SIF) 352x240 (SIF)
Signal/Noise Level	> 50dB	
Lens Options	1.7mm, Horizontal view angle 180°x180°, F2.0, Fixed Iris	1.98mm, Horizontal view angle 180°x180°, F2.8, Fixed Iris
Shutter	Rolling; Auto from 1/3 - 1/100,000 sec	
Exposure Control	Auto / Gain Priority / Shutter Priority / Manual	
Video Compression	Full frame rate, full colour: H.264/MJPEG ; up to 30fps	
Video Bit Rate	User-configurable bit rates from 3Kbps up to 16834Kbps are selectable	
Privacy Zones	4 User Defined	
Video Multi-Streaming	Up to 32Mbps total video output; Unlimited multicast connections. Up to two 16Mbps unicast connections; Up to four 8Mbps unicast connections; Up to sixteen 1Mbps unicast connection	
Video Multi-Encoder	Edge Dewarping: Dual Streaming 3MP (2048 x 1536) @ 30fps + D1/SIF @ 30fps Native: Dual Streaming 12MP (4000x3000)* @ 25fps + D1/SIF @ 30fps or 3MP 2048x1536 pixels + or 6MP (3072 x 2048) @ 30fps + 720P @ 30fps	
Video Analytics	Motion Detection, Tripwire, Intrusion, Video Tamper, Scene change, Audio	
Intelligence	Heat Map	
Audio Compression	G.711Mu / AAC	
Audio Bit Rate	16-96Kbps per channel	
Audio Dual Encoder	Main Stream: 1 Stream Configuration plus Sub Stream: 1 Stream Configuration	
Audio Resolution	Full Duplex, G.711Mu 8 KHz sample rate, AAC is configurable with options 8, 16, 32 and 48 KH, Mono Input, Mono Output	
Audio Analytics	Audio Input Abnormal, Audio Intensity High	
Audio Input	Built-in microphone or Line in, RCA connector	
Audio Output	Line out, RCA connector	
Binary Input/Output	2 Pull up inputs for non powered contacts; 2 relay outputs, 30VDC 1A/ 50VAC 0.5A	
Network Interface	EEE802.3 and IETF standards: 100/1000 Base-T Ethernet, IPv4/IPv6, TCP, UDP, RTP, RTSP, ICMP, IGMP, SNMP, HTTP, HTTPS, PPPoE, uPnP, QoS, DHCP	
Network Security	HTTPS, IP Filter, IEEE 802.1x	
CyberVigilant® Technology	Yes	
Time	Embedded real-time clock, NTP client	
SD Storage	microSDHC 128GB support (card not included)**	
Dimension/Weight	150mm (dia) x 47.7mm (h) and 0.58Kg	
Regulatory	EN 55032, EN 61000-3-2, EN 61000-3-3, FCC Part 15 Subpart B Class A, EN 50130-4, EN 60068-2-29, EN 60068-2-6, EN 60068-2-64, EN 60068-2-1, EN 60068-2-2, EN 60068-2-30, UL, EN 60529, EN 62262	
Housing	White vandal resistant aluminium alloy including 500mm cable bundle	
Protection Rating	P67, IK10	
Electrical	PoE (802.3af Class 0) or 12V DC @ 1.1A; 13W Power supply ordered separately (Product code: 110068; 130176)	
Operating Temperature	-30°C to 60°C	
Cold Start	-30°C	
IndigoVision Software Requirements	Control Center v15.4 or later	
Supported Internet Browsers	Internet Explorer v11.0 or later	
ONVIF	Profile S	

\*\*SDCard Storage independent of IndigoVision's NVRs.



# HD Interceptor PTZ Cameras

Ruggedised camera with built-in IR and white light

With integrated white and infrared lighting, flat glass and 216mm lens the IndigoVision High Definition (HD) Interceptor PTZ Camera delivers amazing 1080p video, regardless of ambient light. Ruggedised, with IP68 and IK10 rating, and with an operating temperature range of -40°C to 60°C, the Interceptor can easily cope with the most challenging environments.

## Key Features

SENSOR



COMPRESSION



OTHER



PHYSICAL



## Product Codes

HD Interceptor PTZ Cameras	Product Code*
HD Interceptor PTZ Camera	511485
HD Interceptor PTZ Camera, IR250W Illuminator, Sunshroud	511486
HD Interceptor PTZ Camera, IR275 Illuminator, Sunshroud	511487
HD Interceptor PTZ Camera, IR550S Illuminator	511488

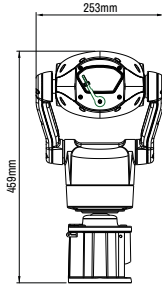
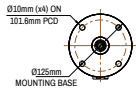
\* Includes Hinge Mount.

Accessories	Product Code
HD Interceptor Universal PSU	110282
HD Interceptor Wall Mount Bracket	110275
HD Interceptor Corner Mount Bracket	110276
HD Interceptor Pole Mount Bracket	110277

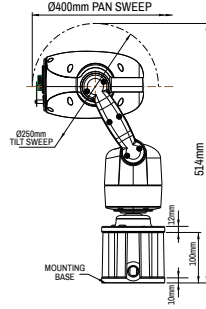
## Dimensions Standard

## IR250W & IR275

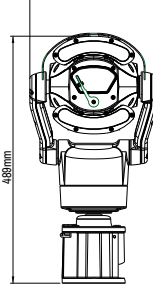
## IR550S



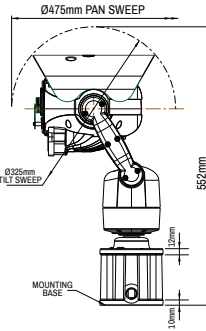
View on Front Face



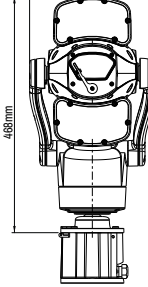
View on Side Face



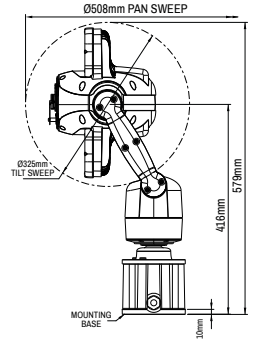
View on Front Face



View on Side Face



View on Front Face



View on Side Face

## Specification

Camera Features	Standard	Standard + IR250W Illuminator	Standard + IR275 Illuminator	Standard + IR550S Illuminator
Sensor	1/1.9" Sony Exmor			
Active Pixels (HxV)	HD (1920x1080)			
Minimum Sensitivity	Day: 0.002 Lux (colour). Night: 0.0002 Lux (mono). 30 IRE, F1.6, 1/30s shutter			
Dynamic Range	WDR 120dB Max			
Gain Control	Exposure Offset of -10.5 to +10.5dB			
Back Light Compensation	WDR and Night HLC are present			
White Balance Mode	Outdoor Auto, Auto, Outdoor, Indoor, Auto Tracing, Indoor A/B/C, Sodium, Sodium Auto A/B			
Day/Night	True Day/Night with Mechanical IR Cut Filter			
IR Illuminator	N/A	250m IR + 225m White Light	275m IR	550m IR
Video Resolution	1920x1080 pixels (1080p); 1280x720 pixels (720p); 720x576 pixels (D1); 352x288 pixels (SIF)			
Signal/Noise Level	> 50dB			
Lens Options	6mm-216mm Horizontal view angle 60° (W) 1.8° (T), F1.6 to F4.7, Autofocus with manual override			
Zoom	36x optical + 12x digital			
Shutter	Rolling; Plus Fast Shutter config for Off and 1/1000 to 1/30000			
Exposure Control	Auto/Manual/Slow AE/Shutter-priority/Iris-priority			
Video Compression	Full frame rate, full colour: H.264/MPEG4 & MJPEG; up to 25fps (ISO 14496-10)			
Video Bit Rate	User-configurable bit rates from 64Kbps up to 8Mbps			
Video Multi-Streaming	Up to 16Mbps total video output; Up to four 4Mbps unicast connections			
Video Multi-Encoder	Up to two simultaneous resolutions including: 1080p (25fps), 720p (25fps), D1 (25fps)			
Binary Input/Output	1 Binary relay output: 24V AC/DC @0.5A max			
Wiper	Integrated			
Sun Shroud	N/A	Included (Tilt range limited to 135°)	Included (Tilt range limited to 135°)	N/A
Tilt Sweep	Diameter 248mm	Diameter 270mm	Diameter 270mm	Diameter 270mm
Network Interface	IEEE802.3 and IETF standards: 10/100 Base-T Ethernet, TCP, UDP, RTP, RTSP, ICMP, IGMP, HTTP, HTTPS, PPPoE, uPnP, QoS, DHCP			
Time	Embedded real-time clock, SNTP client			
Dimension/Weight	247mm (dia) x 350.5mm (h) and 8.99kg	250mm (dia) x 380mm (h) and 9.75kg	250mm (dia) x 380mm (h) and 9.75kg	250mm (dia) x 380mm (h) and 10kg
Regulatory	EN 55032, EN 61000-3-2, EN 61000-3-3, FCC Part 15 Subpart B Class A, EN 50130-4, EN 55035, EN 62368-1, EN 60529, EN 62262, EN 60068-2-6, EN 60068-2-27, EN 60068-2-64, EN 60068-2-1, EN 60068-2-2, EN 60068-2-30			
Housing	White vandal resistant aluminium alloy			
Protection Rating	IP68, IK10			
Electrical	30V DC, 54W Max. 30V DC Power supply ordered separately (Product code: 110282)	30V DC, 99W Max. 30V DC Power supply ordered separately (Product code:110282)	30V DC, 99W Max. 30V DC Power supply ordered separately (Product code:110282)	30V DC, 126W Max. 30V DC Power supply ordered separately (Product code:110282)
Operating Temperature	-40°C to 60°C			
Cold Start	-10°C			
Mount Options	Hinge Mount*			
IndigoVision Software Requirements	Control Center v14.0 or later			
Supported Internet Browsers	Internet Explorer v11.0 or later			
ONVIF	Profile S			
NDAA	This product is compliant with the National Defense Authorization Act (NDA). Section 889 of the NDA prohibits the U.S. government from procuring video and telecommunications equipment from certain Chinese companies and their subsidiaries.			
PTZ Control				
Preset	360	Pan Range	360° Continuous Rotation	
Preset Tours	4	Tilt Range	180°	
Pattern/Mimic Tours	4	Pan/Tilt Speed	Pan Speed - 0.1-120°/s, Tilt Speed - 0.1-120°/s	
Privacy Zones	24 User Defined			

\* Can be installed using standard CAT5/RJ45 cable and connectors.


















# XF & XP HD ATEX Cameras

Safe and Secure.

Designed for safety, the IndigoVision XF HD 30x Fixed and XP HD 30x PTZ ATEX cameras deliver outstanding video security for hazardous areas where explosions could occur.

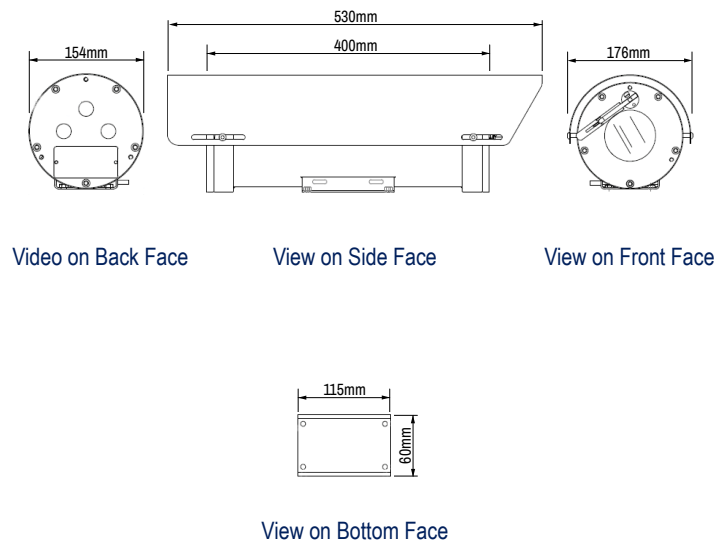
## Key Features

SENSOR				
COMPRESSION				
INTELLIGENCE				
OTHER				
				
PHYSICAL				

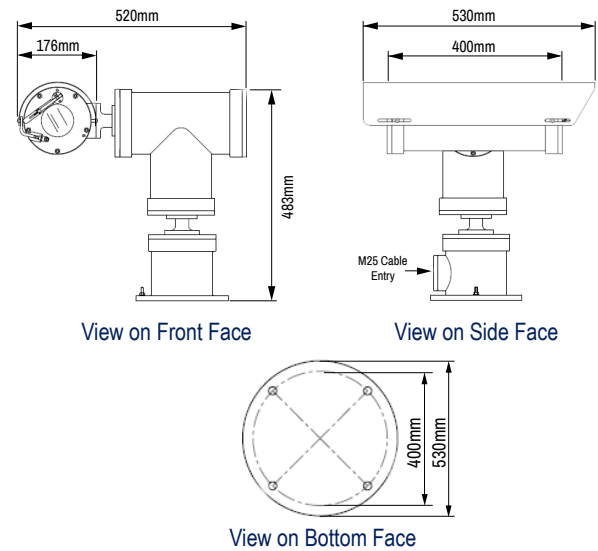
## Product Codes

XF HD 30x Fixed Camera	Product Code
ATEX/IECEX Certified, 24VAC, -20°C to 50°C, Wiper	511327
INMETRO Certified, 24VAC, -20°C to 50°C, Wiper	511340
cLCus Certified, 24VAC, -20°C to 50°C, Wiper	511344
cLCus Certified, 24VAC, -40°C to 35°C, Wiper	511346
XP HD 30x PTZ Camera	Product Code
ATEX/IECEX Certified, 24VAC, -20°C to 50°C, Wiper	511337
INMETRO Certified, 24VAC, -20°C to 50°C, Wiper	511350
cLCus Certified, 24VAC, -20°C to 50°C, Wiper	511354
Accessories	Product Code
XF Fixed Camera Wall Mount	110180
XP PTZ Camera Wall Mount	110182

## Dimensions: XF HD Fixed ATEX Camera



## Dimensions: XP HD PTZ ATEX Camera


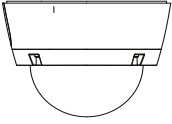

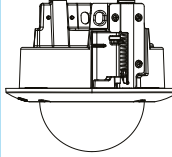
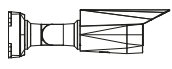
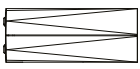


## Specification

Camera Features	XF HD Fixed ATEX Camera	XP HD PTZ ATEX Camera	
<b>Sensor</b>	1/2.8" Progressive CMOS		
<b>Active Pixels (HxV)</b>	HD (1920x1080)		
<b>Minimum Sensitivity</b>	Day: 0.01 Lux (colour). Night: 0.001 Lux (mono). 50 IRE, F1.6, 1/30s shutter		
<b>Dynamic Range</b>	WDR > 120dB		
<b>Gain Control</b>	Auto/Manual		
<b>Back Light Compensation</b>	On/Off		
<b>White Balance Mode</b>	Auto/Manual setting		
<b>Day/Night</b>	True Day/Night with Mechanical IR Cut Filter		
<b>Video Resolution</b>	1920x1080 pixels (HD); 1280x960 pixels (1.3MP); 1280x720 pixels (720p); 704x576 pixels (D1); 352x288 pixels (SIF)		
<b>Lens Options</b>	4.5mm - 135mm Horizontal view angle 67.8°(W) 2.4° (T), F1.6, Auto focus		
<b>Zoom</b>	30x optical + 16x digital		
<b>Iris Control</b>	DC Auto-iris		
<b>Shutter</b>	Rolling; Auto from 1/3 - 1/10,000 sec		
<b>Exposure Control</b>	Auto/Low Noise/Low Motion Blur/Manual		
<b>Video Compression</b>	Full frame rate, full colour: H.264/MJPEG ; up to 30fps (ISO 14496-10)		
<b>Video Bit Rate</b>	User-configurable bit rates from 64Kbps up to 8Mbps		
<b>Video Multi-Streaming</b>	Up to 32Mbps total video output; Unlimited multicast connections. Up to four 8Mbps unicast connections; Up to sixteen 1Mbps unicast connections		
<b>Video Multi-Encoder</b>	Up to two simultaneous resolutions including: 1080p (60fps), 1080p (30fps), 720p (60fps), 720p (30fps), D1 (30fps), SIF (30fps)		
<b>Video Analytics^</b>	Motion Detection, Video Tamper, Face Detection. In fixed mode also includes Tripwire, Intrusion, Abandoned Object & Missing Object		
<b>Network Interface</b>	IEEE802.3 and IETF standards: 10/100 Base-T Ethernet, IPv4/IPv6, TCP, UDP, RTP, RTSP, ICMP, IGMP, SNMP, HTTP, HTTPS, SSH, PPPoE, uPnP, QoS, DHCP		
<b>Network Security</b>	HTTPS, IP Filter, IEEE 802.1x		
<b>Time</b>	Embedded real-time clock, NTP client		
<b>Dimension/Weight</b>	6.93in (dia.) x 20.87in (l) and 40.09lb(with sun shade)   20.87in (d) x 20.47in (w) x 19.02in (h) and 110.23lb (with sun shade)		
<b>Regulatory</b>	ATEX: II 2 G Ex db (op pr) IIC T4 (T5 & T6 On Request)Gb II 2 D Ex tb (op pr) IIIC T135°C Db IP6x. Certificate Number: ITS16ATEX101021X IECEX: Ex db (op pr) IIC T4 (T5 & T6 On Request)Gb Ex tb (op pr) IIIC T135°C Db IP6x. Certificate Number:IECEX ITS 15.0068X INMETRO: Ex d IIC T4 (T5 On Request) Gb -60°C ≤Ta ≤ +60°C Ex tb IIIC T135°C Db IP66/67. Certificate Number: TUV 12.1080X / TUV 12.1081X cLCus C1/D1: Class I, Division 1, Groups B, C, D, -60°C≤Ta≤ +60°C T4/ Class II, Division 1, Groups E, F, G IP67.CSA-C22.2 No:30-M1986 No:25-1966(R2009) CSA-C22.2 No:60065-03(R2012) & UL1203,UL60065(ED.7)Certificate Number: 11671-1S / 11677-1S		
<b>Housing</b>	Electropolished 316L Stainless Steel with wiper and sunshade as standard ATEX/IECEX and INMETRO: Includes 3 meter Flexible Conduit Cable with cable bundle cLCus:Flexible Conduit Cable not included due to Regulatory Restriction		
<b>Protection Rating</b>	IP67		
<b>Electrical</b>	Maximum 60W. 24V AC; 110-230V AC Option   Maximum 120W. 24V AC; 110-230V AC Option		
<b>Operating Temperature</b>	-40°C to +35°C (cLCus), -20°C to +50°C (ATEX/IECEX, INMETRO, cLCus)		
<b>IndigoVision Software Requirements</b>	Control Center 14.0 or later		
<b>Supported Internet Browsers</b>	Internet Explorer v11.0 or later		
<b>ONVIF</b>	Profile S		
<b>XP HD PTZ ATEX Camera PTZ Control</b>			
<b>Preset</b>	64	<b>Tilt Range</b>	-90° (above horizon) to +90° (vertically down)
<b>Preset Accuracy</b>	0.1°	<b>Pan/Tilt Speed</b>	0.5-45°/s
<b>Pan Range</b>	360° Continuous Rotation	<b>Pan/Tilt Warranty</b>	Moving part warranty limited to 2 million Pan and Tilt Operations

<sup>^</sup> Integration into Control Center as Basic Analytics only

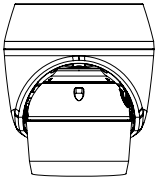
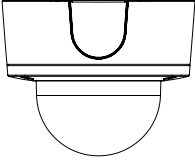
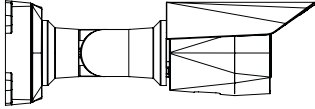


	Pendant Mount Outdoor Dome	Surface Mount Outdoor Dome	Surface Mount Indoor Dome	In-Ceiling Mount	Bullet	Box
						
Mount/Accessory						
Wall Mount	150502	-	-	-	-	-
1.5" NPT Adaptor	150503	-	-	-	-	-
Pole Mount Adaptor	150506 (requires 150502)	-	-	-	150506	-
Corner Mount Adaptor	150507 (requires 150502)	-	-	-	150507	-
Junction Box	-	-	-	-	150300	-
Metal Ceiling Panel	-	-	-	150259	-	-
Sidewall Knockout Plug	-	-	150551	-	-	-
Clear Bubble	150407	150405	150409	150411	-	-
Tinted Bubble	150406	150404	150408	150410	-	-
3.5mm Fly Wire	150150	150150	150150	150150	-	150150
Sealing grommet	-	150554	-	150554	-	-
Pipe grommet	150553	150553	-	-	-	-
Power supply	110068, 150100	110068, 150100	110068, 150100	110068, 150100	110068, 150100	110068, 150100
NPT to M25 Adaptor	110019	-	-	-	-	-



Mount Name	Camera Range	Dimensional Drawing	Product Codes
NPT to M25 Adaptor	UX Range	<p>View on Top Face</p> <p>Section A-A View</p> <p>View on Side Face</p> <p>View on Side Face</p>	110019
Metal Ceiling Panel	UX Range	<p>View on Top Face</p> <p>View on Side Face</p>	150259
Junction Box	UX Range	<p>View on Front Face</p> <p>View on Top Face</p> <p>View on Side Face</p>	150300
Pendant Wall Mount	UX Range	<p>View on Side Face</p> <p>View on Front Face</p> <p>View on Top Face</p>	150502



	GX Range 2/5MP GX Outdoor Dome	BX Range Dome	BX Range Bullet
			
Mount/Accessory			
In-Ceiling Mount	150254	150255	-
Wall Mount	-	150505 (requires 150504)	-
1.5" NPT Adaptor	-	150504	-
NPT to M25 Adaptor	-	-	110019
Corner Mount Adaptor	-	150507 (requires 150505 + 150504)	150507
Pole Mount Adaptor	-	150506 (requires 150505 + 150504)	150506
Power Supply	150100	150100	150100
Clear Bubble	-	150413	-
Tinted Bubble	-	150412	-
Shroud Replacement	150552	-	-
Surface Mount Adaptor	-	150256 (already supplied with the BX Dome)	-
Metal Ceiling Panel	-	150259	-
Junction Box	-	-	150300

Mount Name	Camera Range	Dimensional Drawing	Product Codes
NPT to M25 Adaptor	BX Range	<p>View on Top Face</p> <p>Section A-A View</p> <p>View on Side Face</p> <p>View on Side Face</p>	110019
In-Ceiling Mount	GX Range		150254
Metal Ceiling Panel	BX Range		150259
Junction Box	BX Range		150300

Mount Name	Camera Range	Dimensional Drawing	Product Codes				
Wall Mount	BX Range	<p> <table border="1"> <tr><td>[X.X]</td><td>INCHES</td></tr> <tr><td>X</td><td>MM</td></tr> </table> </p>	[X.X]	INCHES	X	MM	150505
[X.X]	INCHES						
X	MM						
Pole Mount Adaptor	BX Range	<p> <table border="1"> <tr><td>[X.X]</td><td>INCHES</td></tr> <tr><td>X</td><td>MM</td></tr> </table> </p>	[X.X]	INCHES	X	MM	150506
[X.X]	INCHES						
X	MM						
Corner Mount Adaptor	BX Range	<p> <table border="1"> <tr><td>[X.X]</td><td>INCHES</td></tr> <tr><td>X</td><td>MM</td></tr> </table> </p>	[X.X]	INCHES	X	MM	150507
[X.X]	INCHES						
X	MM						

## Power Supplies

Product Code	Input Voltage	Input Connector	Output Voltage	Output Current (Max)	Output Connector	Operating Temperature Range	Dimensions (D x W x H)
150100	100-240VAC	IEC320-C14	55V DC	0.55A	RJ45 Female Connector	-20°C to 40°C @30W -20°C to 55°C @22.5W	166mm x 52mm x 35mm

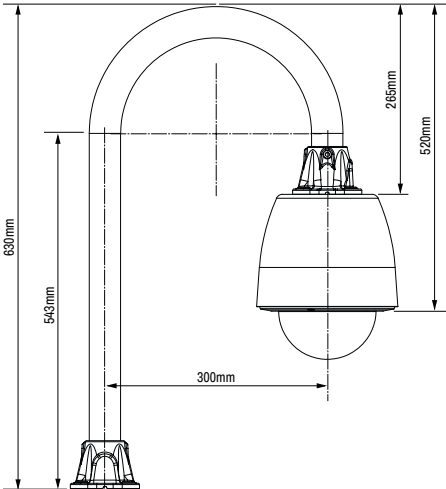
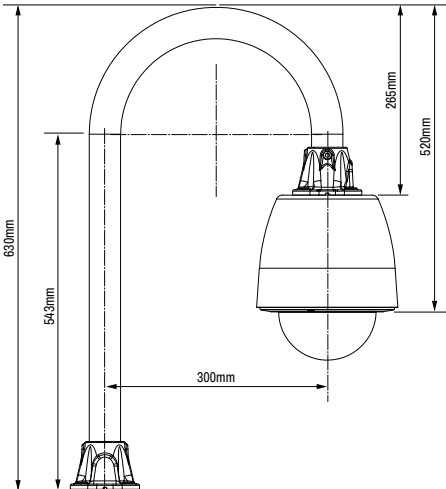
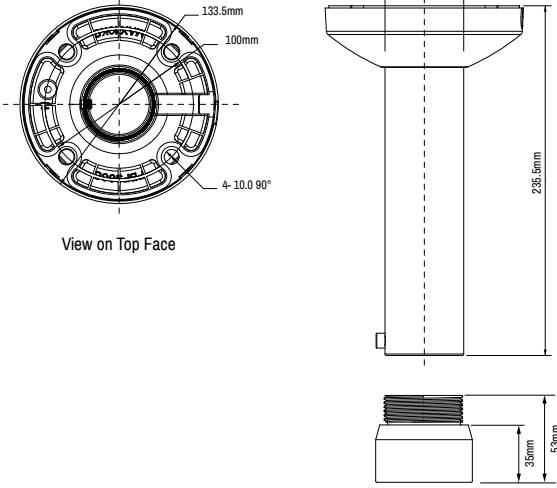
ID: IV-CMM-GXBX 21.2 JUN 21

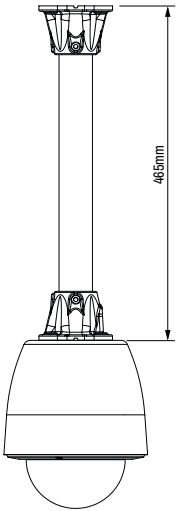
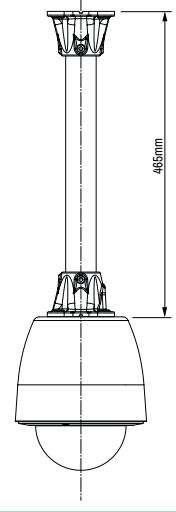
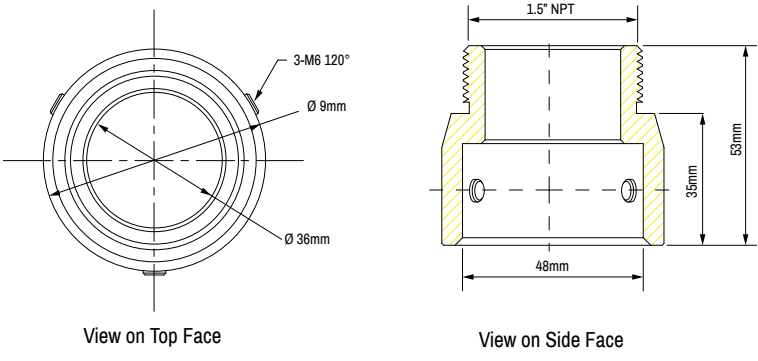
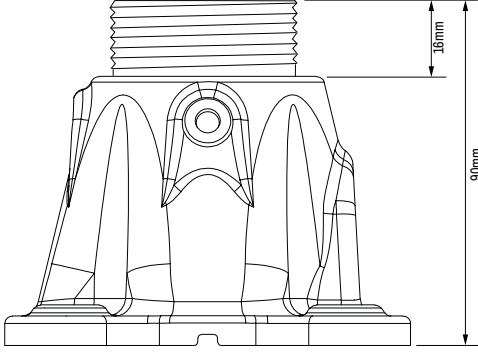
Mount/Accessory	PTZ Range, BX520 HD/4MP PTZ Dome		PTZ Range, UX3520 HD PTZ Dome		IR PTZ Camera Range, 2MP (x30), 2MP (x40), 5MP (x33)
	In-Ceiling	Pendant	In-Ceiling	Pendant	Standard
<b>Wall Mount</b>	-	130173	-	110084; 110184	110084; 110184
<b>Pendant Swan-Neck Mount</b>	-	-	-	110085; 110185	110085; 110185
<b>Vertical Pole Mount</b>	-	130174	-	110086; 110186	110086; 110186
<b>1.5" NPT Adaptor (Male)</b>	-	130185	-	110087	110087
<b>1.5" NPT Adaptor (Female)</b>	-	-	-	110088	110088
<b>Corner Mount</b>	-	130184 (Requires 130173)	-	110082 (Requires 110084, 110184 or 110085, 110185)	110082 (Requires 110084, 110184 or 110085, 110185)
<b>Pole Mount</b>	-	130083 (Requires 130173)	-	110196 - Grey (Requires 110084, 110184 or 110085, 110185)	110196 - Grey (Requires 110084, 110184 or 110085, 110185)
<b>Junction Box</b>	-	130171 (Requires 130173)	-	-	-
<b>Power Junction Box</b>	-	130172 (Requires 130173)	-	-	-
<b>Power Supply</b>	130176	130176	110068; 110100; 130176	110100; 130179	110100; 130179
<b>Clear Bubble</b>	130161	130161	110178	-	-
<b>Tinted Bubble</b>	130163	130163	110175	-	-
<b>Cables</b>	-	-	-	3m - 110173 9m - 110174	3m - 110173 9m - 110174

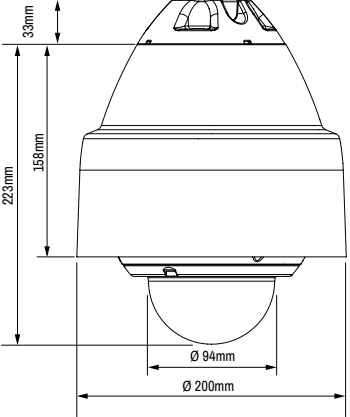
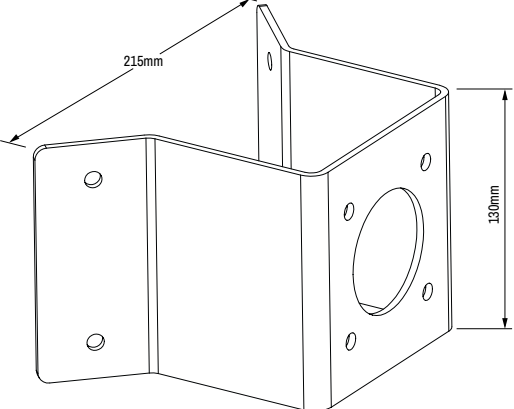
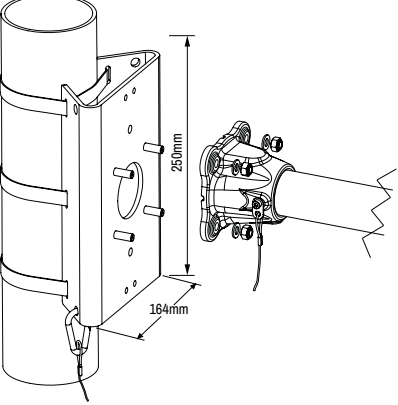


# IndigoVision PTZ Camera Mount & Accessory Matrix Appendix - Page 1

Mount Name	Camera Range	Dimensional Drawing	Product Codes
Wall Mount	BX520 HD/4MP	<p>View on Front Face</p> <p>View on Side Face</p>	130173
Wall Mount	UX3520 2MP IR PTZ 30x	<p>View on Side Face</p>	110084
Wall Mount	UX3520 2MP IR PTZ 30x		110184

Mount Name	Camera Range	Dimensional Drawing	Product Codes
<p>Pendant Swan-Neck Mount</p>	<p>UX3520 2MP IR PTZ 30x</p>		<p>110085</p>
<p>Pendant Swan-Neck Mount</p>	<p>UX3520 2MP IR PTZ 30x</p>		<p>110185</p>
<p>Vertical Pole Mount</p>	<p>BX520 HD/4MP</p>	 <p>View on Top Face</p>	<p>130174</p>

Mount Name	Camera Range	Dimensional Drawing	Product Codes
Vertical Pole Mount	UX3520 2MP IR PTZ 30x		110086
Vertical Pole Mount	UX3520 2MP IR PTZ 30x		110186
1.5" NPT Adaptor (Male)	BX520 HD/4MP	 <p style="text-align: center;">View on Top Face</p> <p style="text-align: center;">View on Side Face</p>	130185
1.5" NPT Adaptor (Male)	UX3520	 <p style="text-align: center;">View on Side Face</p>	110087

Mount Name	Camera Range	Dimensional Drawing	Product Codes
<p>1.5" NPT Adaptor (Female)</p>	<p>UX3520</p>	 <p>View on Side Face</p>	<p>110088</p>
<p>Corner Mount Adaptor</p>	<p>UX3520 2MP IR PTZ 30x</p>		<p>110082</p>
<p>Pole Mount Adaptor</p>	<p>UX3520 2MP IR PTZ 30x</p>		<p>110196</p>

## Power Supplies

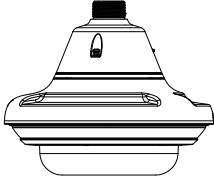
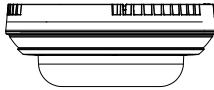
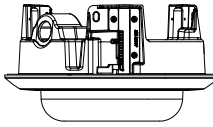
Product Code	Input Voltage	Input Current (Max)	Input Connector	Output Voltage	Output Current (Max)	Output Connector	Operating Temperature Range	Dimensions (D x W x H)
110068	100-240VAC	0.8A	IEC320-C14	12V DC	2.5A	Bare Wires	-30°C to 60°C	115mm x 50mm x 35mm
110100	100-240 VAC	2.1A	IEC320-C14	30V DC	4.0A	Bare Wires	-40°C to 85°C	148mm x 59mm x 32.5mm
130179	100-240VAC	2.5A	IEC320-C14	56V DC	0.8A	RJ45 Female Connector	-20°C to 40°C	166mm x 80mm x 44mm

## Bubbles

Camera Range	Product Code	Description
BX520 HD/4MP	130161	Clear Bubble
	130163	Tinted Bubble
UX3520 In-Ceiling	110178	Clear Bubble
	110175	Tinted Bubble

## Cables

Camera Range	Product Code	Description
Ultra Range	110173	Cable assembly and gland (3m)
	110174	Cable assembly and gland (9m)

	SP Multisensor Pendant	SP Multisensor Surface	SP Multisensor In-Ceiling
			
Mount/Accessory			
Camera Module	754980 (Mandatory for all variants)		
Surface Mount Adaptor	-	150251 (requires 150400 or 150401)	-
Pendant Mount Adaptor	150252 (requires 150500 or 150501) + (150400 or 150401)	-	-
Wall Mount	150500 (requires 150252)	-	-
NPT Adaptor	150501 (requires 150252)	-	-
Pole Mount adaptor	150506 (requires 150500)	-	-
Corner Mount adaptor	150507 (requires 150500)	-	-
In-Ceiling Mount	-	-	150253 (requires 150403 or 150402)
Bubble (Clear)	150400	150400	150403
Bubble (Tinted)	150401	150401	150402
Metal In-Ceiling panel	-	-	150258
IR Illuminator	150250 (requires 150400)	150250 (requires 150400)	-
Power Supply	150101, 150100	150101, 150100	150101, 150100
Ferrite Clamp (Trackside use)	150550	150550	150550



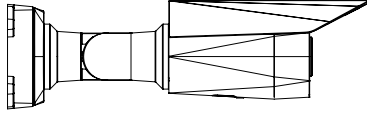
# IndigoVision SP Multisensor Camera Mount & Accessory Matrix Appendix - Page 1

Mount Name	Camera Range	Dimensional Drawing	Product Codes
Surface Mount Adaptor	SP Range Multisensor	<p>Front view dimensions: [11.24] Ø286, [7.75] Ø197. Side view dimensions: [1.73] 44, [4.38] 111.</p>	150251 (requires 150400 or 150401)
Pendant Mount Adaptor	SP Range Multisensor	<p>Side view dimensions: 1 1/2" NPT THREAD MOUNT, [8.74] 222, [1.68] 43. Front view dimensions: [11.74] Ø298, [7.75] Ø197.</p>	150252 (requires 150500 or 150501) + (150400 or 150401)
Wall Mount	SP Range Multisensor	<p>Side view dimensions: [15.24] 387, [8.75] 222, [1.68] 43, [3.46] 88. Front view dimensions: [11.75] Ø298, [7.75] Ø197.</p>	150500 (requires 150252)
In-Ceiling Mount	SP Range Multisensor	<p>Front view dimensions: [11.73] Ø298, [7.75] Ø197. Side view dimensions: [10.23] 260, [3.82] 97, [1.68] 43, [2.50] 63.</p>	150253 (requires 150403 or 150402)

Mount Name	Camera Range	Dimensional Drawing	Product Codes
Metal In-Ceiling panel	SP Range Multisensor		150258
Pole Mount Adaptor	SP Range Multisensor		150506 (requires 150500)
Corner Mount Adaptor	SP Range Multisensor		150507 (requires 150500)

## Power Supplies

Product Code	Input Voltage	Input Connector	Output Voltage	Output Current (Max)	Output Connector	Operating Temperature Range	Dimensions (D x W x H)
150100	100-240VAC	IEC320-C14	55V DC	0.55A	RJ45 Female Connector	-20°C to 40°C @30W -20°C to 55°C @22.5W	166mm x 52mm x 35mm
150101	100-240VAC	IEC320-C14	55V DC	1.1A	RJ 45 Female Connector	-10C to 45C @60W -10C to 55C @30W	151mm x 62 mm x 38 mm

SP Thermal Bullet	
	
Mount/Accessory	
In-Ceiling Mount	-
Wall Mount	-
1.5" NPT Adaptor	-
NPT to M25 Adaptor	110019
Corner Mount Adaptor	150507
Pole Mount Adaptor	150506
Power Supply	-
Clear Bubble	-
Tinted Bubble	-
Shroud Replacement	-
Surface Mount Adaptor	-
Metal Ceiling Panel	-
Junction Box	150300

Mount Name	Camera Range	Dimensional Drawing	Product Codes				
NPT to M25 Adaptor	BX Range	<p>View on Top Face</p> <p>Section A-A View</p> <p>View on Side Face</p> <p>View on Side Face</p>	110019				
Junction Box	BX Range	<p>4x <math>\varnothing</math> 4.5 Through</p> <table border="1" data-bbox="1093 1160 1217 1198"> <tr> <td>[X.X]</td> <td>INCHES</td> </tr> <tr> <td>X</td> <td>MM</td> </tr> </table>	[X.X]	INCHES	X	MM	150300
[X.X]	INCHES						
X	MM						
Pole Mount Adaptor	BX Range	<table border="1" data-bbox="1061 1299 1217 1344"> <tr> <td>[X.X]</td> <td>INCHES</td> </tr> <tr> <td>X</td> <td>MM</td> </tr> </table>	[X.X]	INCHES	X	MM	150506
[X.X]	INCHES						
X	MM						

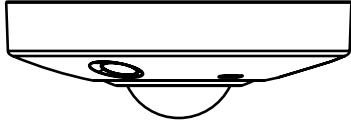
# IndigoVision SP Thermal Camera Mount & Accessory Matrix Appendix - Page 2

Mount Name	Camera Range	Dimensional Drawing	Product Codes
Corner Mount Adaptor	BX Range		150507

## Power Supplies

Product Code	Input Voltage	Input Connector	Output Voltage	Output Current (Max)	Output Connector	Operating Temperature Range	Dimensions (D x W x H)
150100	100-240VAC	IEC320-C14	55V DC	0.55A	RJ45 Female Connector	-20°C to 40°C @30W -20°C to 55°C @22.5W	166mm x 52mm x 35mm

ID: IV-CMM-SPTH 21.0 JAN 21

6MP/12MP Fisheye	
	
Mount/Accessory	
Wall Mount	130081
Vertical Pole Mount	130082
Corner Mount	130184 (Requires 130081 or 130071)
Pole Mount	130083 (Requires 130071 or 130081); 130183 (Requires 130071 or 130081)
1.5" NPT Adaptor (Male)	130087
Junction Box	130071
Power Junction Box	130172 (Requires 130081)
Power Supply	110068; 130176

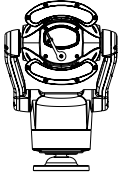

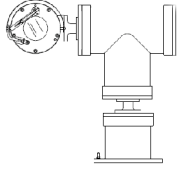


Mount Name	Camera Range	Dimensional Drawing	Product Codes
Wall Mount	Fisheye	<p>View on Front Face      View on Side Face      View on Back Face</p> <p>View on Side Face      View on Bottom Face</p>	130081
Vertical Pole Mount	Fisheye	<p>View on Top Face</p> <p>View on Bottom Face</p> <p>View on Side Face</p>	130082
Pole Mount Adaptor	Fisheye	<p>View on Side Face      View on Top Face      View on Front Face</p>	130083

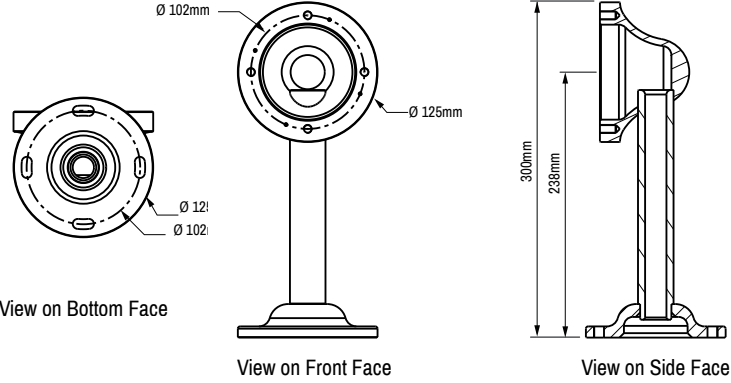
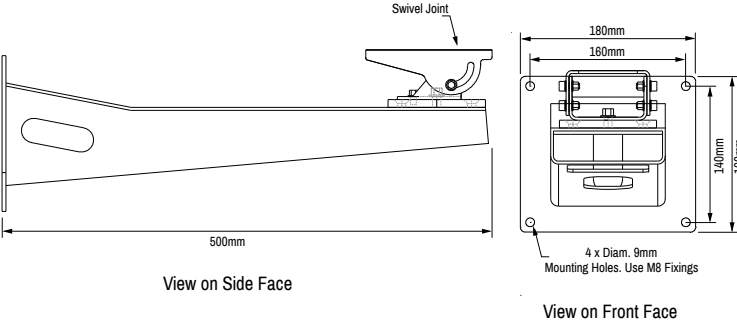
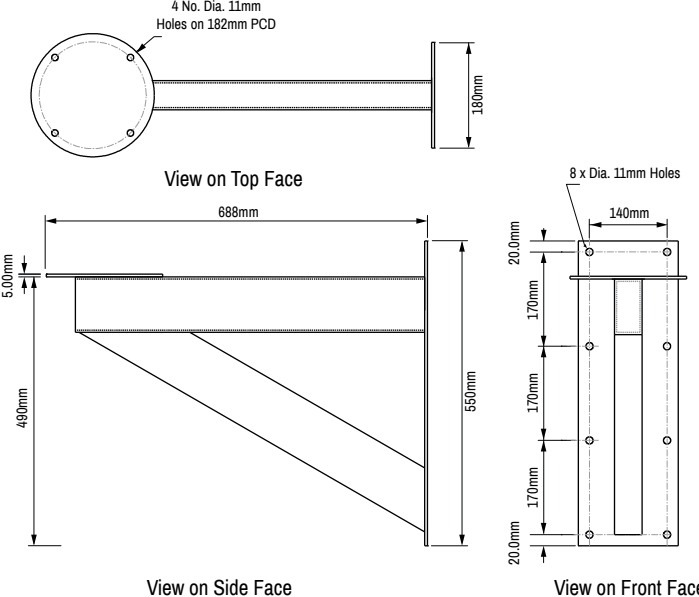
Mount Name	Camera Range	Dimensional Drawing	Product Codes
Corner Mount Adaptor	Fisheye	<p>View on Side Face</p> <p>View on Top Face</p> <p>View on Front Face</p> <p>Dimensions: 40mm, 119mm, 8-9mm, 80mm, 130mm, 136mm, 80mm.</p> <p>Front Face Details: 243mm, 84.0mm, 48.0mm, 170mm, 119mm, 90mm, 100mm, 35mm, 70mm, 56mm, 84mm, 4-M8 90°, 9-M4, 8-M8.</p>	130184
Junction Box	Fisheye	<p>View on Top Face</p> <p>View on Bottom Face</p> <p>View on Side Face</p> <p>Dimensions: 155mm, 119.5mm, 130.8mm, 119.5mm, 155mm, 48mm, 98mm, 39mm.</p> <p>Bottom Face Details: 3-M4, 3/4" Thread (Side &amp; Rear), 4-M4.</p>	130071

## Power Supplies

Product Code	Input Voltage	Input Current (Max)	Input Connector	Output Voltage	Output Current (Max)	Output Connector	Operating Temperature Range	Dimensions (D x W x H)
110068	100-240VAC	0.8A	IEC320-C14	12V DC	2.5A	Bare Wires	-30°C to 60°C	115mm x 50mm x 35mm
130176	100-240VAC	2.0A	IEC320-C14	56V DC	0.67A	RJ45 Female Connector	-20°C to 40°C	166mm x 80mm x 44mm

	HD Interceptor PTZ Camera	XF HD Fixed Camera	XP HD PTZ Camera
			
Mount/Accessory			
Wall Mount	110275	110180	110182
Corner Mount	110276	-	-
Pole Mount	110277	-	-
Power Supply	110282	-	-
Marine Grade Paint	110110	-	-

# IndigoVision Specialized Camera Mount & Accessory Matrix Appendix - Page 1

Mount Name	Camera Range	Dimensional Drawing	Product Codes
Wall Mount Adaptor	HD Interceptor PTZ Camera	 <p>Ø 102mm</p> <p>Ø 125mm</p> <p>Ø 121</p> <p>Ø 102</p> <p>View on Bottom Face</p> <p>View on Front Face</p> <p>View on Side Face</p> <p>300mm</p> <p>238mm</p>	110275
Wall Mount	XF HD Fixed Camera	 <p>Swivel Joint</p> <p>500mm</p> <p>View on Side Face</p> <p>180mm</p> <p>160mm</p> <p>140mm</p> <p>160mm</p> <p>4 x Diam. 9mm Mounting Holes. Use M8 Fixings</p> <p>View on Front Face</p>	110180
Wall Mount	XP HD PTZ Camera	 <p>4 No. Dia. 11mm Holes on 182mm PCD</p> <p>180mm</p> <p>View on Top Face</p> <p>5.00mm</p> <p>688mm</p> <p>490mm</p> <p>550mm</p> <p>View on Side Face</p> <p>8 x Dia. 11mm Holes</p> <p>20.0mm</p> <p>140mm</p> <p>170mm</p> <p>170mm</p> <p>170mm</p> <p>20.0mm</p> <p>View on Front Face</p>	110182

Mount Name	Camera Range	Dimensional Drawing	Product Codes
Corner Mount Adaptor	HD Interceptor PTZ Camera	<p>                     View on Side Face                      View on Front Face                      View on Bottom Face                 </p>	110276
Pole Mount Adaptor	Interceptor	<p>                     View on Side Face                      View on Back Face                      View on Top Face                 </p>	110277

## Power Supplies

Product Code	Input Voltage	Input Current (Max)	Input Connector	Output Voltage	Output Current (Max)	Output Connector	Operating Temperature Range	Dimensions (D x W x H)
110068	100-240VAC	0.8A	IEC320-C14	12V DC	2.5A	Bare Wires	-30°C to 60°C	115mm x 50mm x 35mm
110282	100-240VAC	2.1A	Bare Wires	36V DC	5.2A	Bare Wires	-40°C to 65°C	204mm x 68mm x 39mm
130176	100-240VAC	2.0A	IEC320-C14	56V DC	0.67A	RJ45 Female Connector	-20°C to 40°C	166mm x 80mm x 44mm



# BX130 8/16 Channel Encoder

Cost-Effective Analogue to World Class IP Video Migration

Part of IndigoVision's professional BX range, the BX130 8/16 Channel Encoder delivers cost-effective migration from analogue to IndigoVision's renowned world class IP solution. The BX130's outstanding H.264 compression, reduced storage and better video quality than other mid-range encoders.

Completely integrated with IndigoVision's Control Center software and Network Video Recorders (NVRs), HD and Megapixel cameras can be added easily, giving the same world class IP video solution that's trusted by some of the most demanding security installations in the world.

## Key Features

COMPRESSION



INTELLIGENCE



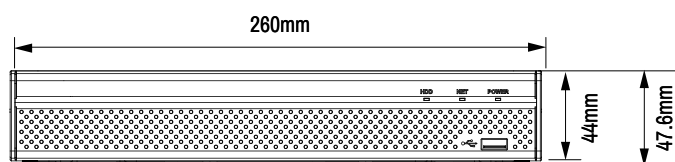
OTHER



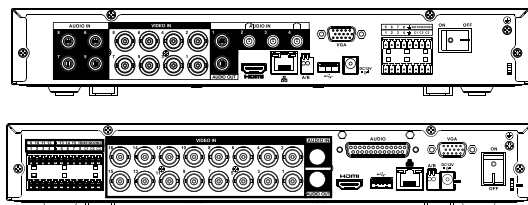
## Product Codes

BX130 Encoders	Product Code
BX130 8 Channel Encoder	610130
BX130 16 Channel Encoder	610131

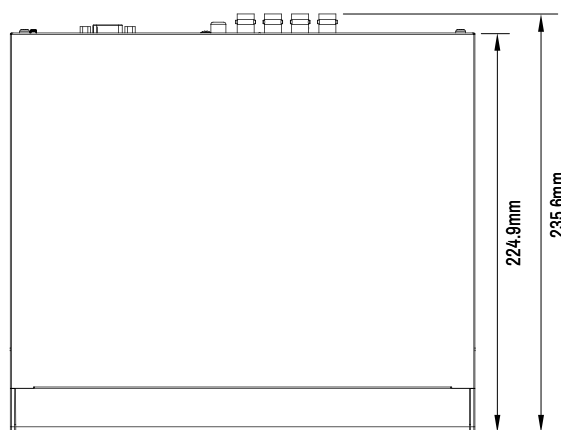
## Dimensions



View on Front Face



View on Back Face



View on Top Face

## Specification

General Specification	
Video Resolution	1920x1080 pixels (1080p); 1280x720 pixels (720p); 960x576 pixels (960H PAL); 960 x 480 pixels (960H NTSC); 720x576 pixels (D1 PAL); 720x480 pixels (D1 NTSC); 352x576 pixels (HD1 PAL); 352x480 pixels (HD1 NTSC); 704x576 pixels (4SIF PAL); 704x480 pixels (4SIF NTSC); 352x288 pixels (SIF PAL); 352x240 pixels (SIF NTSC); 176x144 pixels (QSIF PAL); 176x120 pixels (QSIF NTSC)
Video Compression	Full frame rate, full colour: H.264 (ISO 14496-10); up to 15fps at up to 1080p resolution, up to 30fps at up to 4SIF
Video Bit Rate	User-configurable bit rates from 31Kbps up to 6Mbps per video channel
Video Multi-Streaming	Up to 64Mbps total video output; unlimited multicast connections. Up to sixteen 4Mbps unicast connections
Video Multi-Encoder	Up to sixteen 4Mbps
Video Analytics	Motion Detection, Video Loss, Tamper
Video Input	8/16 Channel video, HDCVI/AHD/TVI/CVBS support, standard BNC connectors
Audio Compression	G.711
Audio Bit Rate	32Kbps per channel
Audio Resolution	Full Duplex, 8kHz sample rate, mono Input
Audio Input	Line in, RCA connector
Audio Output	N/A
Binary Input/Output	8/16 Pull up input for non powered contacts; 3 Solid state open collector output, Max 30.0V, 0.5A
Data Input/Output	RS485 (PTZ Control)
Network Interface	IEEE802.3 and IETF standards: 100 Base-T Ethernet (8 CH), 1000 Base-T Ethernet (16 CH), TCP, UDP, RTP, RTSP, ICMP, IGMP, SNMP, HTTP, HTTPS, PPPoE, uPnP, DHCP
Time	Embedded real-time clock, NTP client
Dimensions/Weight	236mm (d) x260mm (w) x48mm (h) and 0.75Kg (excluding power supply)
Regulatory	EN55032 Class A, EN55024, EN50130-4, EN61000-3-2, EN61000-3-3, EN61000-4-2, EN61000-4-3, EN61000-4-4, EN61000-4-5, EN61000-4-6, EN61000-4-8, EN61000-4-11, FCC Part 15 Subpart B Class A
Electrical	12V DC; 10W max
Operating Temperature	-10°C to 50°C
Power Supplies	12V DC Power supply included
Mounting Options	2U high rack mount kit available
IndigoVision Software Requirements	Control Center v15.1 or later
ONVIF	Profile S

## Accessories

Accessories	Product Code
BX130 Encoder Rack Mount Kit	130079





# RECORD



## Optimized recording technology to ensure evidence is always captured

IndigoVision's range of Network Video Recorders (NVRs) will never miss a moment of recording, to give you the reassurance that you will always have footage of critical situations.

IndigoVision provides NVR alternatives to suit your specific needs: from Compact editions to suit smaller sites, up to our Large Enterprise NVR which allows you to record hundreds of cameras from a single device for long video retention (up to 800 channels per NVR with 3PB of storage).

Automatic NVR failover means that if your primary NVR goes down, a back-up will automatically take over the recording, so you don't experience any interruptions. Dual watermarking provides a double layer of authentication, to give you a guarantee that the recorded video evidence from your NVRs has not been tampered with. This means that your recordings will be accepted in a court of law for prosecutions.

Even more importantly, IndigoVision's Distributed Network Architecture (DNA) means that there is no single point of failure in your system, so you still have access to video even if your primary NVR goes down. With IndigoVision, you'll therefore always have the recorded video evidence you need to support your security investigations.

# RECORD INDEX

## **Large Enterprise NVR-AS (NVR-AS 4000) 125**

- 7U to 22U Rack Mountable
- Record up to 800 Cameras per NVR
- Up to 4750Mbps throughput
- Up to 3PB storage
- ADAPT/RAID6
- Redundant Power, RAID Control and Networking

## **Enterprise NVR-AS (NVR-AS 4000) 127**

- 1U or 2U Rack Mountable
- Record up to 200 Cameras per NVR
- 2.4Gbps (2U) and 328Mbps (1U) throughput
- Up to 140TB storage
- RAID5 (1U) or RAID6 (2U)
- Redundant Power (optional) and Networking

## **Compact Network Video Recorder (NVR-AS 4000) 129**

- Small Footprint
- Record up to 20 cameras per NVR
- 40Mbps throughput
- Up to 4TB storage
- Redundant Networking

## **Windows NVR-AS Software 131**

- Windows Platform Software
- Record up to 200 cameras per NVR instance
- Flexible and scalable across a range of installations



# IndigoVision®

a Motorola Solutions Company

NVR-AS 4000 RANGE



## Large Enterprise NVR-AS

Enterprise Recording. Intelligently Designed.

The IndigoVision Large Enterprise NVR-AS can record up to 800 cameras, has data throughput of 4Gbps and up to 3PB of usable storage. Guaranteed tamper free evidence, automatic failover and integrated backup. The Large Enterprise NVR-AS can also integrate other security systems for complete alarm management and has recording support for multiple camera manufacturers including ONVIF.

### Key Features

COMPRESSION

- H.264
- H.265
- JPEG 2000
- MJPEG
- MPEG-4

- AAC
- G.711

OTHER

- DNA
- Firewall
- Windows

PHYSICAL

- 19" Rack
- Power
- Network
- Fans

STORAGE

- ADAPT
- RAID6
- Dual RAID
- SAS

### Product Codes

800 Channel	Product Code <sup>^</sup>
Large Enterprise NVR-AS 4000 G3 750TB	980440
Large Enterprise NVR-AS 4000 G3 1.5PB	980441
Large Enterprise NVR-AS 4000 G3 2.25PB	980442
Large Enterprise NVR-AS 4000 G3 3.0PB	980443

<sup>^</sup> Includes Hardware ProSupport.

\* Supported as of Control Center v16.0 or later.

# Specification

General Specification		800 Channel			
Form Factor	7U 1x 2U Storage Array Server + 1x 5U Storage Array	12U 1x 2U Storage Array Server + 2x 5U Storage Array	17U 1x 2U Storage Array Server + 3x 5U Storage Array	22U 1x 2U Storage Array Server + 4x 5U Storage Array	
Disk Space (TB)	750	1500	2250	3000	
Recording Hard Drive Bays	84 (Hot-swappable)	168 (Hot-swappable)	252 (Hot-swappable)	336 (Hot-swappable)	
Performance (Streams)	800 Recording plus simultaneous playback of 150 streams				
Performance (Throughput)	4000 Mbps in; 750 Mbps out; 4750 Mbps total				
Processor	2 x Intel Xeon Silver 4110				
Memory	32GB RAM (4 x 8GB)				
System Dimensions/Weight	974.7mm (d) x 483mm (w) x 309.6mm (h) and 168.1Kg	974.7mm (d) x 483mm (w) x 531.9mm (h) and 303.1Kg	974.7mm (d) x 483mm (w) x 754.2mm (h) and 438.1Kg	974.7mm (d) x 483mm (w) x 976.5mm (h) and 573.1Kg	
Dimensions/Weight	Storage Array Server - 755.8mm (d) x 482mm (w) x 87.3mm (h) and 33.1Kg Storage Array - 974.7mm (d) x 483mm (w) x 222.3mm (h) and 135Kg				
Supported Operating Systems	Windows Server® 2016 for Embedded Systems				
Automatic Storage Management	Policy based management options for automatic deletion or protection of old footage				
Recording Hard Drive	3.5in Nearline SAS				
Operating System and Configuration Hard Drive Bays	Dual redundant RAID1 mirrored drives separate from Recording Hard Drives				
RAID Controller	Dual Hardware RAID Controller with battery and flash backed cache configured as ADAPT*				
Attached Storage	Direct attached, Dual redundant 12Gbps SAS				
Network Interface	Dual Port Redundant 10Gb SFP+ (Video), Dual Port Redundant 1Gbps (Server Management), Dual Port Redundant 1Gbps (Storage Array Management), TCP, UDP, ICMP, IGMP, SNMP, HTTP, NTP, FTP				
Network Security	Windows Server Firewall, Network Access Protection (NAP)				
Regulatory	EN 60950-1, IEC 60950-1, EN 55022, CISPR 22, EN 61000-3-2, EN 55024, IEC 61000-3-2 (Class D), EN 61000-3-3, IEC 61000-3-3, CISPR 24, UL 60950-1				
Housing	Mild Steel Chassis and Fascia				
Electrical	Storage Array Server - 2 x 1100W, 100-240VAC, 50/60 Hz, Auto Switching, Dual-Redundant Hot Swap PSU Storage Array - 2200W, 7507 BTU, 200-240 VAC, 11.07-9.23A (x2), 50/60 Hz, Auto Switching, Dual Hot Swappable PSU				
Operating Temperature	10°C to 35°C				
System Management	iDRAC9 Express				
Supplied Accessories	Rack Mount Kit (brackets, static rails and mounting hardware), removable lockable fascia, PDU power cords (x2) and USB restore media				
Onboard Diagnostics	Fault alarm notification within Control Center for storage array RAID degradation, server operating system RAID degradation, RAID controllers, enclosures, fans, redundant power supplies, redundant network and temperature faults***. Additionally, embedded monitoring tools provide detailed fault diagnosis for all faults on the storage array server and storage array.				

## Control Center Licensed Features

The availability of the following NVR features varies based on the Control Center software product the NVR is connected to\*\*

Licensing	IndigoVision NVR appliances do not need a separate license. Video from any connected camera or encoder to the system can be recorded
Video	Simultaneously record and playback full frame rate, full resolution video streams from any connected IndigoVision IP Camera or Encoder. Record and playback from other devices including ONVIF Profile S conformant cameras and encoders as well as devices integrated via Camera Gateway™
Audio	Recording and playback of AAC, G.711 and Opus audio****
Thumbnails	Indexed recordings for rapid display of time-based, alarm-based or motion-based thumbnails
Alarms	Recording and logging of alarms and events
Bookmarks	Recording and logging of bookmarks in association with recordings
Integrated Data	Recording and logging of millions of data records from LPR, EPOS and other integrations
Analytics	Recording and playback of motion analysis data from cameras****
Redundancy and Failover	Full DNA support, sophisticated failover and mirroring strategies amongst multiple NVRs for increased resilience and redundancy
Digital Watermarking	Digital signing at point of recording and at export^
Edge Storage Retrieval	SD card retrieval from ONVIF Profile G devices*
NVR Footage Retrieval	Footage retrieval from IndigoVision NVRs

\* Can also be configured as RAID6. \*\* Please check the Control Center datasheets for more information. \*\*\* Please note that NVR-AS 15.4.10 or later is required \*\*\*\* Features may vary based on capabilities of camera model.

^ With or without Tamper Protection enabled.

## Accessories

Accessories	Product Code
Direct Attach twinax cable kit with SFP+ connectors – 1m	110351
Direct Attach twinax cable kit with SFP+ connectors – 3m	110352
Direct Attach twinax cable kit with SFP+ connectors – 5m	110353
10GBASE-SR fibre optic SFP+ transceiver	110361





# IndigoVision®

a Motorola Solutions Company

NVR-AS 4000 RANGE



# Enterprise NVR-AS

## Enterprise Recording. Intelligently Designed.

With double the performance of the nearest alternative, the IndigoVision Enterprise NVR-AS can record up to 200 cameras, has data throughput of 2 Gbps and up to 192TB usable storage. Guaranteed tamper free evidence, automatic failover and integrated backup. Available with Windows or Linux, the Enterprise NVR-AS can also integrate other security systems for complete alarm management and has recording support for multiple camera manufacturers.

### Key Features

COMPRESSION

- H.264
- H.265
- JPEG 2000
- MJPEG
- MPEG-4

- AAC
- G.711

OTHER

- DNA
- W
- Windows
- Geometric icon

PHYSICAL

- 1U Height
- 2U Height
- 19" Rack
- Power icon
- Network icon

STORAGE

- RAID5
- RAID6
- SATA

### Product Codes

100 Channel	Windows	Linux
Enterprise NVR-AS 6TB	980483	980583
Enterprise NVR-AS 12TB	980484	980584
Enterprise NVR-AS 36TB	980485	980585
200 Channel	Windows	Linux
Enterprise NVR-AS 48TB	980480	980580
Enterprise NVR-AS 120TB	980486	980586
Enterprise NVR-AS 168TB	980487	980587

\*Supported from Control Center v16.0 or later

# Specification

General Specification	100 Channel			200 Channel		
Form Factor	1U	1U	1U	2U	2U	2U
Disk Space (TB)	6	12	36	48	120	168
Recording Hard Drive Bays	4 of 4			8 of 12	12 of 14	16 of 18
Expandable to Disk Space (TB)	N/A			56, 64, 72, 80	132, 144	180, 192
Compatible Drives (TB)	N/A			8	12	
Performance (Streams)	100 Recording plus simultaneous playback of 50 streams			200 Recording plus simultaneous playback of 50 streams		
Performance (Throughput)	300 Mbps in; 100 Mbps out; 400 Mbps total <sup>^</sup>			Windows - 10 Gbps Ethernet: 1.6 Gbps in; 240 Mbps out; 1.84 Gbps total	Windows - 10 Gbps Ethernet: 2.0 Gbps in; 400 Mbps out; 2.4 Gbps total	
				Linux - 10 Gbps Ethernet: 1.28 Gbps in; 320 Mbps out; 1.6 Gbps total		
Processor	Intel Xeon E-2124 3.3GHz			2 x Intel Xeon Silver 4110		
Memory	8GB RAM DDR4			16GB RAM DDR4		
Dimensions/Weight	595mm (d) x 434 mm (w) x 42.8mm (h) and 12.2Kg			755.8mm (d) x 444mm (w) x 87.3mm (h) and 33.1Kg		
Supported Operating Systems	Windows - Windows Server® 2016 for Embedded Systems Essentials Linux - IndigoVision NVR Appliance Operating System					
Automatic Storage Management	Policy based management options for automatic deletion or protection of old footage					
Recording Hard Drive	3.5in SATA					
Operating System and Configuration Hard Drive Bays	On recording hard drives			Dual redundant separate mirrored drives configured as RAID1		
RAID Controller	Hardware RAID Controller configured as RAID5			Hardware RAID Controller with Flash Backed Cache configured as RAID6		
Network Interface	Dual Port Redundant 100/1000 BaseT RJ-45 Connections, configured as switch independent group (Windows) / 802.1ax LACP redundant pair (Linux)			Dual Port Redundant 10GB DA/SFP+ and Dual Port Redundant 100/1000 BaseT RJ-45 Connections, configured switch independent group (Windows) / 802.1ax LACP aggregated group (Linux)		
Network Security	Windows - Windows Server Firewall, Network Access Protection (NAP) Linux - SSH, SFTP, Embedded Linux Firewall					
Security Features	Trusted Platform Module 2.0 FIPS UEFI Secure Boot (Windows) Hardware root of trust Disable USB ports			UEFI Secure Boot (Windows) Hardware root of trust Disable USB ports		
Regulatory	EN 60950-1, IEC 60950-1, EN 55022, CISPR 22, EN 61000-3-2, EN 55024, IEC 61000-3-2 (Class D), EN 61000-3-3, IEC 61000-3-3, CISPR 24					
Housing	Mild Steel Chassis and Fascia					
Electrical	250W, 100-240VAC, 50/60 Hz, Auto Switching, Single PSU, Secondary Dual-Redundant Hot Swap PSU not supported			2 x 1100W, 100-240VAC, 50/60 Hz, Auto Switching, Dual-Redundant Hot Swap PSU		
Operating Temperature	10°C to 35°C					
System Management	iDRAC9 Basic			iDRAC9 Express		
Supplied Accessories	Rack Mount Kit, Removable Lockable Fascia, PDU power cord and USB Restore Media <sup>^^^</sup>			Rack Mount Kit <sup>^^^</sup>	Rack Mount Kit and Cable Management Arm <sup>^^^</sup>	
				Removable lockable fascia, PDU power cord and USB restore media		
Onboard Diagnostics	Fault alarm notification within Control Center for RAID degradation, fans, redundant power supplies, recording failure and redundant network faults. Additionally, embedded monitoring tools provide detailed fault diagnosis for RAID arrays, controllers, enclosures and temperature faults.					
IndigoVision Software Requirements	Windows - Control Center v16.0 or later Linux - Control Center v16.0 or later			Windows - Control Center v13.2 or later Linux - Control Center v15.2 or later		

## Control Center Licensed Features

The availability of the following NVR features varies based on the Control Center software product the NVR is connected to<sup>\*\*</sup>

Licensing	IndigoVision NVR appliances do not need a separate license. Video from any connected camera or encoder to the system can be recorded
Video	Simultaneously record and playback full frame rate, full resolution video streams from any connected IndigoVision IP Camera or Encoder. Record and playback from other devices including ONVIF Profile S conformant cameras and encoders as well as devices integrated via Camera Gateway™
Audio	Recording and playback of AAC, G.711 and Opus audio*
Thumbnails	Indexed recordings for rapid display of time-based, alarm-based or motion-based thumbnails
Alarms	Recording and logging of alarms and events
Bookmarks	Recording and logging of bookmarks in association with recordings
Integrated Data	Recording and logging of millions of data records from LPR, EPOS and other integrations
Analytics	Recording and playback of motion analysis data from cameras*
Redundancy and Failover	Full DNA support, sophisticated failover and mirroring strategies amongst multiple NVRs for increased resilience and redundancy
Digital Watermarking	Digital signing at point of recording and at export
Edge Storage Retrieval	SD card retrieval from ONVIF Profile G devices*
NVR Footage Retrieval	Footage retrieval from IndigoVision NVRs

\* Features may vary based on capabilities of camera model. \*\* Please check the Control Center datasheets for more information.

<sup>^^</sup> 12 Bay Chassis has 12 Hard Drive Bays accessible from front of chassis.

14 Bay Chassis has 12 Hard Drive Bays accessible from front of chassis and 2 supported Internal Hard Drive Bays accessible from the top panel of chassis.

18 Bay Chassis has 12 Hard Drive Bays accessible from front of chassis and 4 Internal Hard Drive Bays accessible from the top panel of chassis and 2 rear accessible Hard Drive Bays.

<sup>^^^</sup> All NVR-AS 4000 1U Rack Mount Kit includes 2/4 post static rails, brackets and mounting hardware.

980480/980580 Rack Mounts Kit includes 2/4 post static rails, brackets and mounting hardware.

980486/980487/980586/980587 Rack Mounts Kit includes sliding rack rails, brackets, mounting hardware and cable management arm.

## Accessories

Accessories	Product Code
Enterprise NVR-AS 8TB SATA Hard Disk Caddy & Disk	110308
Enterprise NVR-AS 4000 G3 2U 12TB SATA Hard Disk Caddy & Disk	110321
Direct Attach twinax cable kit with SFP+ connectors - 1m	110351
Direct Attach twinax cable kit with SFP+ connectors - 3m	110352
Direct Attach twinax cable kit with SFP+ connectors - 5m	110353
10GBASE-SR fibre optic SFP+ transceiver	110361
Sliding rack rails with cable management arm	110300



# Compact Network Video Recorder

Small Size. Huge Performance.

With recording and simultaneous playback for up to 20 cameras, the IndigoVision Compact NVR-AS 4000 is ideal for smaller installations or for installations designed with distributed storage. With a Hard Disk Drive (HDD) that's optimised for 24/7 video recording, the Compact NVR-AS 4000 has recording support for multiple camera manufacturers.

## Key Features

COMPRESSION

**H.264**

**H.265**

**JPEG  
2000**

**MJPEG**

**MPEG-4**

  
**AAC**

  
**G.711**

OTHER

  
**DNA**

  
**Firewall**





PHYSICAL



STORAGE

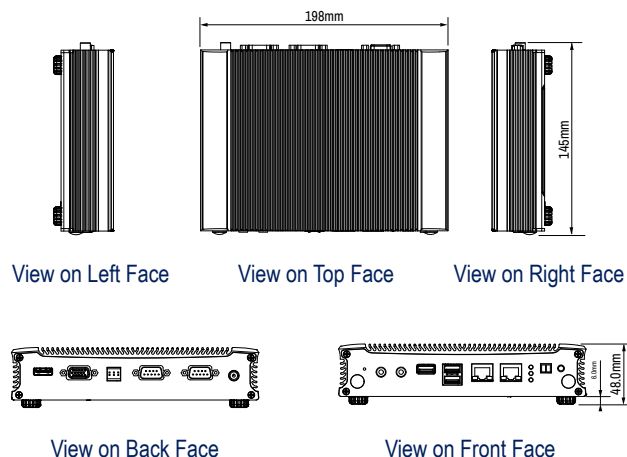
**SATA**

## Product Codes

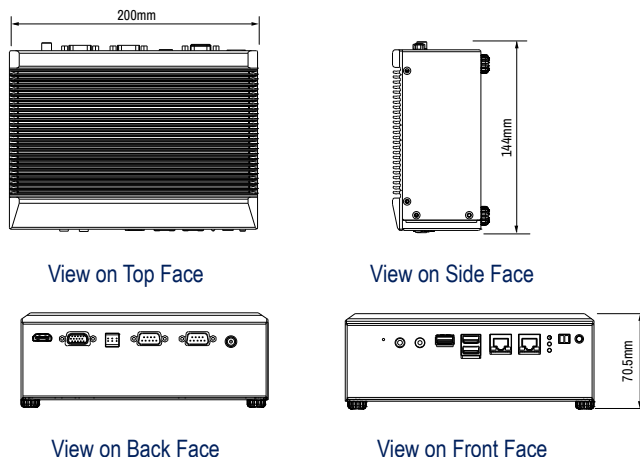
20 Channel	Product Code
Compact NVR-AS 1TB (Slimline)	980411
Compact NVR-AS 4TB	980424
Compact NVR-AS 12TB	980426



## Dimensions: 1TB (Slimline)



## Dimensions: 4TB/12TB



## Specification

General Specification	1TB (Slimline)	4TB	12TB
Disk Space (TB)	1	4	12
Performance (Streams)	20 Recording plus simultaneous playback of 20 streams		
Performance (Throughput)	40 Mbps in; 40 Mbps out; 80 Mbps total		
Processor	Intel Celeron N2930 2GHz		
Dimensions/Weight	145mm (d) x 198mm (w) x 48.0mm (h) and 1Kg	144mm (d) x 200mm (w) x 70.5mm (h) and 1.56Kg	
Supported Operating Systems	Embedded Linux		
Automatic Storage Management	Policy based management options for automatic deletion or protection of old footage		
Recording Hard Drive	1 x 2.5in Western Digital AV series optimised for 24x7 video storage	1x 3.5in SATA Seagate SkyHawk optimised for 24x7 video storage	
Network Interface	Dual redundant 100/1000 BaseT RJ-45, TCP, UDP, ICMP, IGMP, HTTP, NTP, SSH, SFTP		
Network Security	SSH, SFTP, Embedded Linux Firewall		
Regulatory	EN55022 (2010) ITE – Class A, EN55024 (2010), 47CFR47: 2011 Part 15 subpart B –Class A, EN60068-2-29:1993 (15G), EN60068-2-64:1995 (Random) EN60068-2-96:1996 (Sine), EN60068-2-30, EN60068-2-1 at 0°C, EN60068-2-2 at +50°C (EN60068-2-2 @ 60°C for 1TB Extended Temperature)		
Housing	Aluminium steel enclosure (fanless)		
Electrical	Operating Voltage: Input 100-240V ~ 47-63Hz 1A; Power consumption: 21W operational, 24W (max). 12V DC power supply included		
Operating Temperature	0°C to 50°C		
Supplied Accessories	External PSU		
Mounting Options	Wall Mount, Rack Mount, VESA Mount, DIN Mount Accessory Kit		
Onboard Diagnostics	Disk, Network, License, Recording Failure Monitoring		
IndigoVision Software Requirements	Control Center v12.0 or later		Control Center v16.1 or later***
<b>Control Center Licensed Features</b>			
The availability of the following NVR features varies based on the Control Center software product the NVR is connected to**			
Licensing	IndigoVision NVR appliances do not need a separate license. Video from any connected camera or encoder to the system can be recorded		
Video	Simultaneously record and playback full frame rate, full resolution video streams from any connected IndigoVision IP Camera or Encoder. Record and playback from other devices including ONVIF Profile S conformant cameras and encoders as well as devices integrated via Camera Gateway™		
Audio	Recording and playback of AAC, G.711 and Opus audio*		
Thumbnails	Indexed recordings for rapid display of time-based, alarm-based or motion-based thumbnails		
Alarms	Recording and logging of alarms and events		
Bookmarks	Recording and logging of bookmarks in association with recordings		
Integrated Data	Recording and logging of millions of data records from LPR, EPOS and other integrations		
Analytics	Recording and playback of motion analysis data from cameras*		
Redundancy and Failover	Full DNA support, sophisticated failover and mirroring strategies amongst multiple NVRs for increased resilience and redundancy		
Digital Watermarking	Digital signing at point of recording and at export		
Edge Storage Retrieval	SD card retrieval from ONVIF Profile G devices*		
NVR Footage Retrieval	Footage retrieval from IndigoVision NVRs		

\* Features may vary based on capabilities of camera model. \*\* Please check the Control Center datasheets for more information.

\*\*\* The 12TB Compact NVR will not support firmware older than v16.1, but may be used with Control Center v15.2 or later.

## Accessories

Accessories	Product Code
Wall Mount Bracket	110371
19" Rack Mount Bracket	110372
VESA Mount Bracket	110373
DIN Mount Accessory Kit	110374



# Windows NVR-AS v18.0 Software

Your route to scalable recording

The IndigoVision Windows Network Video Recorder is a software NVR application that supports internal disks, internal RAID array, SCSI RAID array, iSCSI and Fibre Channel SAN and NAS. The IndigoVision Windows Network Video Recorder can also integrate with other security systems for complete alarm management and has recording support for multiple camera manufacturers.

## Key Features

COMPRESSION



OTHER



## Product Codes

Windows NVR Licenses	Product Code
IndigoUltra® - 3rd Party Windows NVR-AS Single Connection License	340900-U
IndigoPro® - 3rd Party Windows NVR-AS Single Connection License	340900-P
IndigoPro® to IndigoUltra® - 3rd Party Windows NVR-AS Upgrade Connection License	345900-PU
IndigoLite® to IndigoUltra® - 3rd Party Windows NVR-AS Upgrade Connection License	345900-LU
IndigoLite® to IndigoPro® - 3rd Party Windows NVR-AS Upgrade Connection License	345900-LP
IndigoUltra® - Migration w active SUP - 3rd Party Windows NVR-AS Single Device Connection	341903-U
IndigoPro® - Migration w active SUP - 3rd Party Windows NVR-AS Single Device Connection	341903-P
IndigoLite® - Migration w active SUP - 3rd Party Windows NVR-AS Single Device Connection	341903-L
Windows NVR Demo Licenses	Product Code
IndigoUltra® - Demo - 3rd Party Windows NVR-AS - Single Connection License	346903-U
IndigoPro® - Demo - 3rd Party Windows NVR-AS - Single Connection License	346903-P

The Windows NVR-AS software is included on the Control Center management software CD.

# Specification

General Specification	Control Center		
	IndigoUltra®	IndigoPro®	IndigoLite®
Maximum Channels	200 per instance	80	40
Included Device Connection Licenses	0		
Performance (Streams)	See Performance Guide		
Supported Operating Systems	Windows Server 2019®, Windows Server 2016®, Windows Server 2012 R2®, Windows Server 2012®, Windows 10® 64-bit, Windows 8.1® 64-bit		
Automatic Storage Management	Policy based management options for automatic deletion or protection of old footage		
<b>Control Center Licensed Features</b>			
The availability of the following NVR features varies based on the Control Center software product the NVR is connected to**			
Licensing	To connect third party hardware to an IndigoVision IndigoPro® or IndigoUltra® system a software license is required. One software license connects a single NVR instance		
Video	Simultaneously record and playback full frame rate, full resolution video streams from any connected IndigoVision IP Camera or Encoder. Record and playback from other devices including ONVIF Profile S conformant cameras and encoders as well as devices integrated via Camera Gateway™ or Video Stream Manager (VSM)		
Audio	Recording and playback of AAC, G.711 and Opus audio*		
Thumbnails	Indexed recordings for rapid display of time-based, alarm-based, bookmark-based or motion-based thumbnails		
Alarms	Recording and logging of alarms and events, Alarm Escalation, Alarm Schedules, Actions on Events, Zones, Event Inputs		
Bookmarks	Recording and logging of bookmarks in association with recordings		
Integrated Data	Recording and logging of millions of data records from LPR, EPOS, facial recognition and other integrations		
Third Party Inputs	Through IndigoVision Integration Modules, IndigoVision Binding Kit or Digital Input		
Redundancy and Failover	Full DNA support, sophisticated failover and mirroring strategies amongst multiple NVRs for increased resilience and redundancy		
Automatic NVR Switching	Automatically switch between multiple NVRs to ensure continuous playback and export of video, even when there is a gap in recording on the primary NVR		
Digital Watermarking	Digital signing at point of recording and at export		
Edge Storage Retrieval	SD card retrieval from ONVIF Profile G devices*		
NVR Footage Retrieval	Footage retrieval from IndigoVision NVRs		

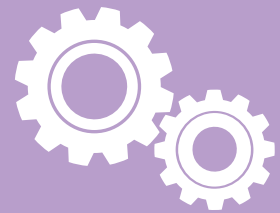
\* Features may vary based on capabilities of camera model. \*\* Please check the Control Center datasheets for more information. ^ Performance may vary based on the capabilities of the NVR-AS PC.

## NVR-AS PC Hardware Requirements

The NVR-AS PC is recommended to be server class with at least a quad-core processor, a minimum of 8GB of system memory and 128GB of local system disk space running Windows Server® 2016. Enabling digital signatures approximately doubles CPU usage. For reliable system operation, the total system CPU usage should be less than 70%. This means that digital signatures should not be enabled if the NVR- AS averages more than 35% CPU in normal operating conditions.



# INTEGRATE



## Enhance your system with third-party functionality for even greater flexibility

The power of adding integrations between IndigoVision's VMS and third-party software means that you can take your investigations to another level, in terms of the information your team has access to and the time they take to respond.

Operators can respond faster to incidents, as integrations remove the need to manually switch between systems such as access control, intruder management, intercoms and back to the VMS. Get increased situational awareness of events on your site, as immediate alerts are sent to operators, reducing the time it takes to react when incidents occur. Using integrations, control room operators can direct security personnel on-the-ground more effectively and quickly alert emergency services to any incident.

Our Video Management Software (VMS), Control Center, and cameras are ONVIF Profile S conformant, making them fully interoperable with other vendors' technology so that you can leverage external cameras as part of your system. Using Camera Gateway™, you have the freedom to connect any other manufacturer's cameras into your IndigoVision security system.

If you're looking for even greater flexibility, IndigoVision's Software Development Kit (SDK) allows software developers to integrate our Control Center VMS with third-party software when there are no existing integration modules available, such as police communication systems in cities or radar systems in airport applications.

# INTEGRATE INDEX

## **Camera Gateway™** **135**

- Integrate legacy and non-ONVIF IP cameras

## **Video Stream Manager Software** **137**

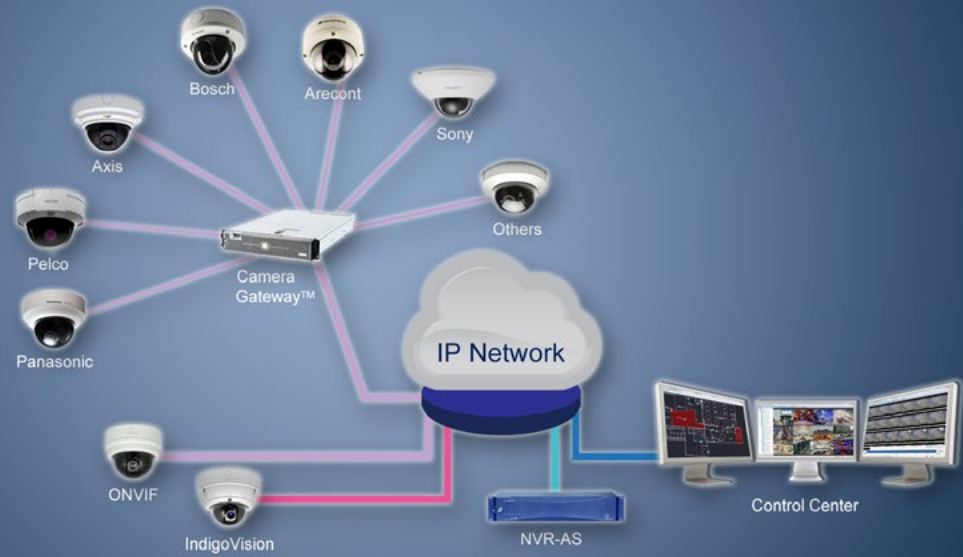
- Integrate legacy IP cameras

## **Software Development Kit** **139**

- Integrate the IndigoVision solution with third-party software

## **Integration Module Matrix** **141**

- Enable communication of events and data between IndigoVision and third-party software



## Camera Gateway<sup>™</sup>

Freedom to choose any camera

The IndigoVision Camera Gateway<sup>™</sup> enables cameras from a range of other manufacturers to be connected to the IndigoVision Control Center suite. It takes video streams from other manufacturers' cameras using their native protocols and integrates them into the Control Center front-end application.

Camera Gateway<sup>™</sup> also supports audio, PTZ control, events and outputs. The cameras do not need to support ONVIF in order to connect to the IndigoVision system, giving customers a wide choice of cameras to integrate.

Camera Gateway<sup>™</sup> is a software service that can be installed on a Windows server, giving total flexibility. The service enables multiple clients to stream video from the same camera, whilst only requiring a single stream from the camera to the Camera Gateway<sup>™</sup>.

- Live video streaming MJPEG, MPEG-4 or H.264
- PTZ control
- Audio receive
- Dual streaming - select different profiles for live viewing and recording
- Events and outputs

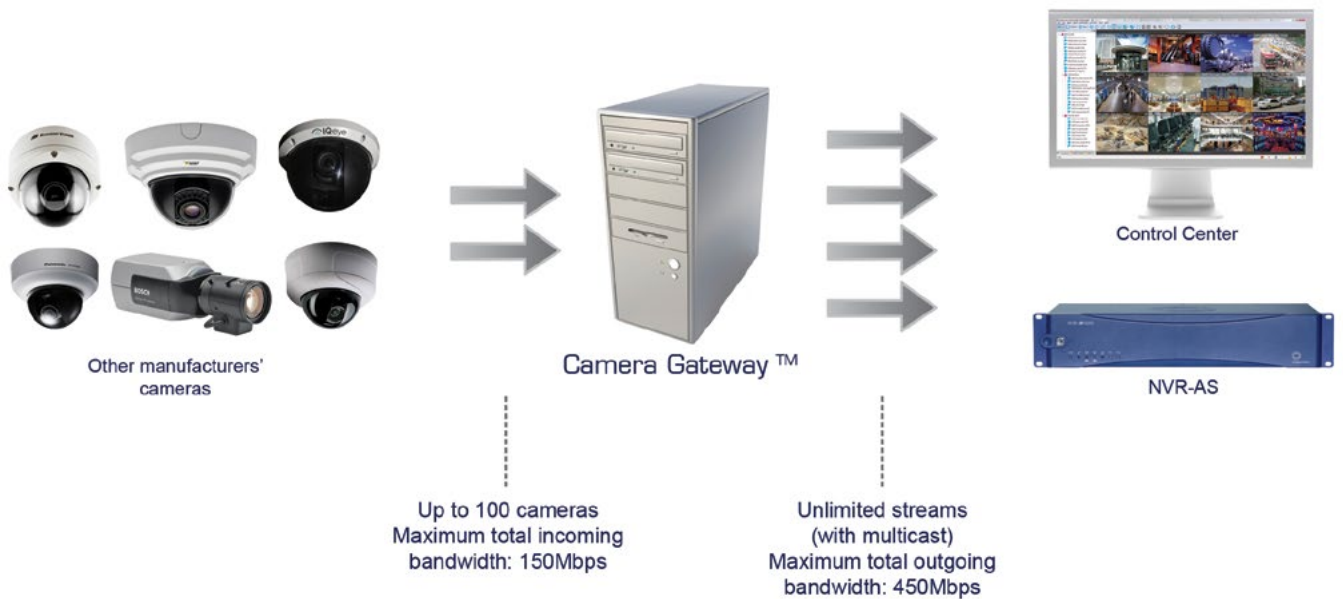


# Specification

General Specification			
Live Video	Live video streaming: MJPEG, MPEG4, H.264 Dual Streaming - select different profiles for live viewing and recording PTZ control Multicast from Camera Gateway™ to Control Center		
Audio	Audio Receive		
Recording and Playback	Record video: MJPEG, MPEG4, H.264 Record audio: G.711 Record on alarm Playback video and audio Thumbnails, bookmarks		
Alarms and Events	Events from other cameras: Motion Detection / Binary Inputs and Outputs		
Supported Devices	Cameras from a wide range of manufacturers, including: <table border="0" style="width: 100%; margin-top: 10px;"> <tr> <td style="width: 50%; vertical-align: top;">                             3S                              ACTi                              Arecont                              Axis                              Basler                              Bosch                              Digital Barriers                              Ganz                              Grandeye                         </td> <td style="width: 50%; vertical-align: top;">                             Grandstream                              Mobotix                              Panasonic                              Pelco                              Samsung                              SightLogix                              Sony                              Vivotek                         </td> </tr> </table>	3S ACTi Arecont Axis Basler Bosch Digital Barriers Ganz Grandeye	Grandstream Mobotix Panasonic Pelco Samsung SightLogix Sony Vivotek
3S ACTi Arecont Axis Basler Bosch Digital Barriers Ganz Grandeye	Grandstream Mobotix Panasonic Pelco Samsung SightLogix Sony Vivotek		
Supported Operating Systems**	Windows 10 @ 64-bit, Windows Server 2012 @, Windows Server 2012 @ R2 Installation in a virtual machine hosted on VMWare ESXi 6.0 is fully supported		
Hardware Requirements	Server class PC; Intel Xeon Processor; 4GB RAM		
Performance	Maximum incoming bandwidth (cameras to Camera Gateway™), 150Mbps. Maximum outgoing bandwidth (Camera Gateway™ to Control Center and NVR), 450Mbps. Maximum number of cameras, provided the bandwidth is within the limits above: 100.		

\*\* For systems with more than 16 streams Windows Server 2012 or later is recommended. Further details available in the Install Guide and Performance Reference Guide.

## Camera Gateway™ Diagram





# Video Stream Manager Software

Intelligently manage ultra-high resolution video & RTSP cameras

The IndigoVision Video Stream Manager (VSM) enables cameras from a range of other manufacturers to be connected to the IndigoVision Control Center suite by using the industry standard RTSP protocol.

The VSM also provides powerful and integrated enterprise management of ultra-high resolution JPEG2000 video from Ultra 5K cameras.

The VSM is a software service that can be installed on a Windows server, giving total flexibility. The service enables multiple clients to stream video from the same camera, whilst only requiring a single stream from the camera to the VSM.

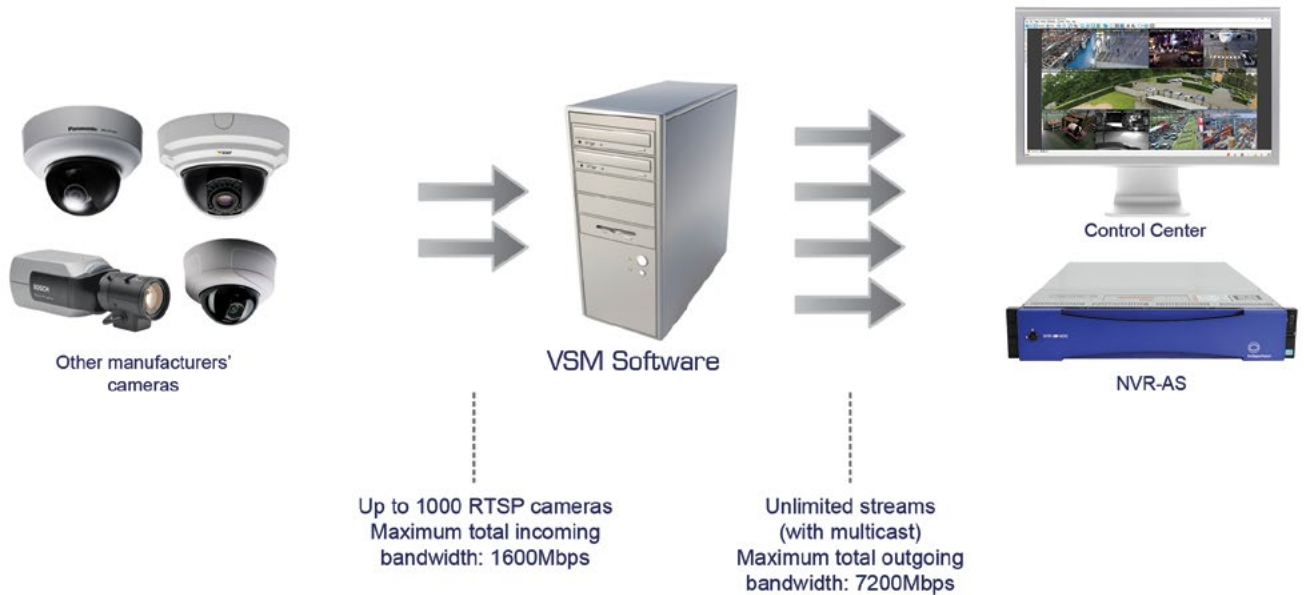
- Integrate a variety of third party cameras
- Live video streaming
- Supports up to 1000 RTSP cameras per server
- Supports ONVIF and IndigoVision's Ultra 5K cameras

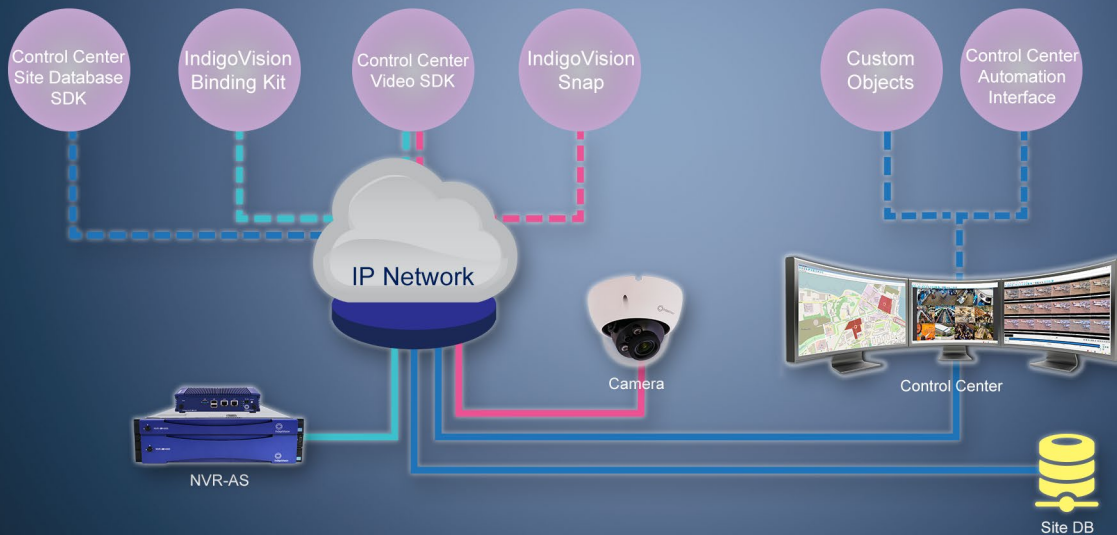
# Specification

General Specification	
Live Video	Live video streaming from RTSP cameras: MJPEG, MPEG4, H.264, H.265 Live video streaming from ONVIF Profile S and ONVIF Profile T cameras: MJPEG, MPEG4, H.264, H.265 ONVIF PTZ Control Multicast from VSM to Control Center Live video streaming from Ultra 5K cameras: JPEG2000 Multiple Streaming - up to ten different streams from each Ultra 5K for live viewing or recording
Audio	Receive audio from RTSP cameras: AAC, G.711 and Opus Receive audio from ONVIF Profile S and ONVIF Profile T cameras: AAC, G.711 and Opus
Recording and Playback	Record video: MJPEG, MPEG4, H.264, H.265, JPEG2000 Playback video Thumbnails, bookmarks
Alarms and Events	Supported*
Supported Devices	Cameras from a wide range of manufacturers including:  Axis Bosch Pelco  Samsung Sony
Supported Operating Systems	Windows® Server 2016® (recommended), Windows® Server 2012 R2®, Windows® 8.1 (64-bit)®
Recommended Hardware Specifications	Intel Xeon E5-2620 v3, 16GB RAM (4x 4GB); Intel X520 10GB Ethernet Adapter; Windows® Server 2012 R2®
Performance	Maximum incoming bandwidth (cameras to VSM), 1600Mbps Maximum outgoing bandwidth (VSM to Control Center and NVR), 7200Mbps Maximum number of RTSP cameras, provided the bandwidth is within the limits above: 1000 Maximum number of Ultra 5K Cameras: 2

\* Supports proxying events generated by ONVIF cameras

## VSM Software Diagram





# Software Development Kit

The IndigoVision Software Development Kit (SDK) allows software developers to integrate third party applications with the IndigoVision IP Video and Alarm Management System.

- Available to Authorised Partners free of charge, on the IndigoVision Product CD\*
- SDK consists of six components:
  - IndigoVision Binding Kit - Integrate events and alarms with third party systems (e.g. access control systems, alarm management systems)
  - Custom Objects - Create new functionality within the Control Center front-end application
  - Control Center Automation Interface - Interact programmatically with the Control Center front-end application
  - IndigoVision Snap - Automatically take snapshots at configurable intervals
  - Control Center Site Database SDK - Create applications that can retrieve information from a Control Center site database
  - Control Center Video SDK\* - Integrate video from an IndigoVision system into third party applications

## Product Code

Software Development Kit	
IndigoVision Binding Kit	Included on the IndigoVision Product CD - Control Center - 340003
Custom Objects	
Control Center Automation Interface	
IndigoVision Snap	
Control Center Site Database SDK	Contact your Sales Agent for more information
Control Center Video SDK*	

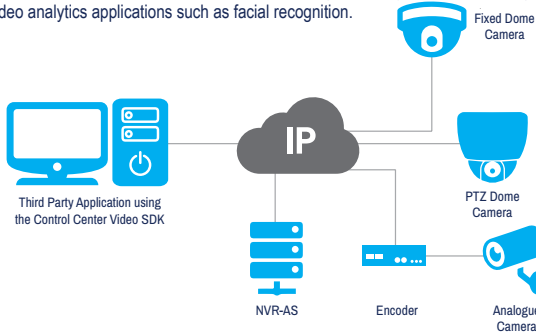
\* Although part of the Software Development Kit the 'Control Center Video SDK' component is not available on the IndigoVision Product CD, this is obtainable by contacting your Sales Agent.

# SDK Components

## Control Center Video SDK

The IndigoVision Control Center Video SDK provides a high performance way to integrate video from an IndigoVision system into third party application software. The SDK enables live video display, PTZ control, and playback and export of recordings.

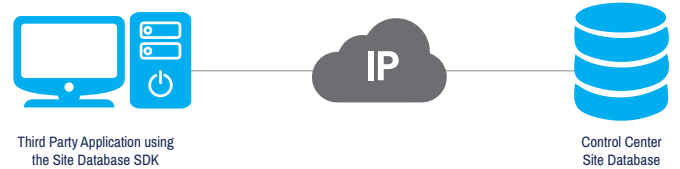
The SDK can be used to create GUI applications which display live and recorded video. In addition, live and recorded video from an IndigoVision system can be integrated into server video analytics applications such as facial recognition.



## Control Center Site Database SDK

The IndigoVision Control Center Site Database SDK provides access to information held in the Control Center site database, including camera names, credentials and primary NVRs.

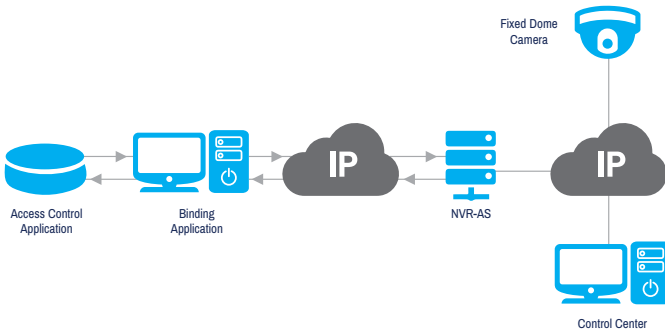
Programmers can use this information, for example with the Control Center Video SDK, to stream live video from a camera or recorded video from an NVR.



## IndigoVision Binding Kit

The IndigoVision Binding Kit allows you to integrate two types of external data with the IndigoVision system. The first type is alarm information, for example events from access control or fire alarm systems. The second type is text data from systems such as EPOS or LPR. Both types can be associated with a camera within Control Center. This is useful for reviewing recordings associated with particular events from these third party systems.

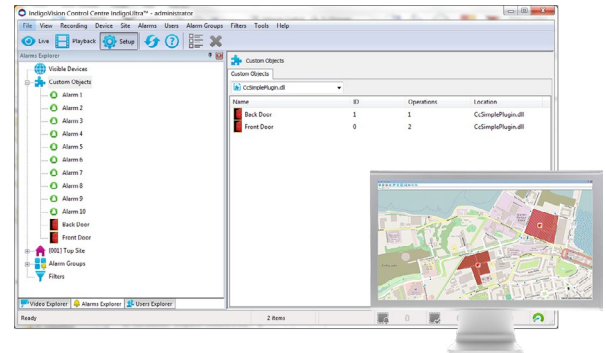
The Binding Kit supports text data at rates up to 1 event per second, with up to 3 million records per NVR-AS making it suitable for a wide range of applications.



## Custom Objects

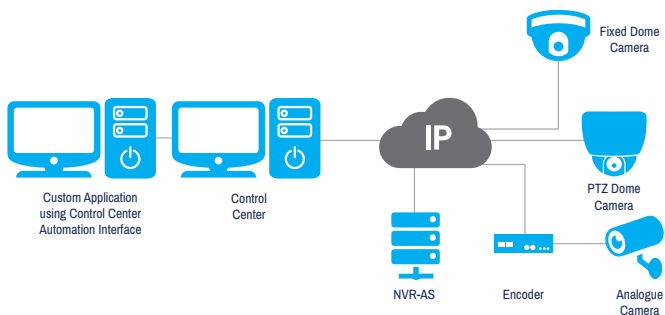
The IndigoVision Custom Object SDK allows third party developers to integrate objects into Control Center. For example, an integration between Control Center and an access control system could create objects representing doors. The door objects could be controlled within the Control Center front-end application via the mouse and custom menus. In addition, the access control system could refresh the state of a door object by changing its icon automatically.

The Custom Object SDK supports customized icons, menus and actions, and objects can be added to Control Center's device hierarchy and maps.



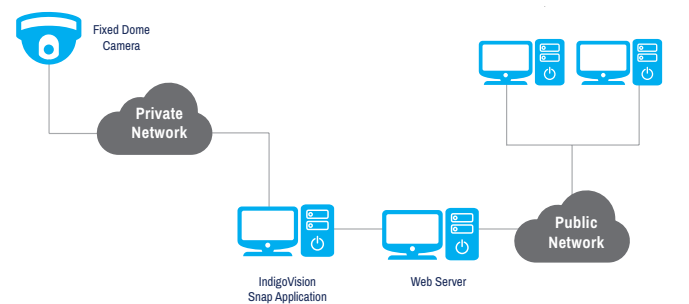
## Control Center Automation Interface

The IndigoVision Control Center Automation Interface is a COM interface that enables external scripts and programs to carry out a number of operations on the Control Center front-end application. These include starting and stopping live video, playing back and exporting recordings and moving PTZ cameras.
















## IndigoVision Snap





The IndigoVision Snap utility allows you to take snapshots from a specified IndigoVision device at regular intervals and save them to a destination directory in JPEG format.



IndigoVision's Integration Modules integrates third-party systems, such as access control and intruder detection systems with Control Center, IndigoVision's complete suite of management software. The modules allow a flow of events between IndigoVision and the external system in a completely seamless fashion to deliver a fully integrated security solution. Third-party events can trigger a wide range of actions within the IndigoVision system including starting recordings, displaying live video, moving PTZ cameras and sending notification emails. Some third-party systems can also receive events from IndigoVision.

	CONTROL CENTER ACTING AS FRONT END			THIRD PARTY SYSTEM ACTING AS FRONT END		
						
<b>Access Control</b>						
<b>AVIGILON™</b>	X		X			
	X	X		X	X	
	X			X	X	X
<b>Honeywell Galaxy</b>	X		X			
	X		X	X		
<b>MAXXESS</b>	X	X	X			
	X		X			
	X					
	X	X	X			
	X					
<b>SOFTWARE HOUSE C-CURE 9000</b>	X			X		X
	X	X				









CONTROL CENTER ACTING AS FRONT END			
			

## Communication Systems

	X			
---	---	--	--	--

## Perimeter Detection

	X			
	X		X	

CONTROL CENTER ACTING AS FRONT END			THIRD PARTY SYSTEM ACTING AS FRONT END		
					

## Open Interfaces

	X				
---	---	--	--	--	--

System Integrations tested with Control Center - Honeywell: Pro-Watch v3.7

	X			X	X
---	---	--	--	---	---

System Integrations tested with Control Center - Schneider Electric: Andover Continuum

**FOR FURTHER INFORMATION CONTACT YOUR  
LOCAL REGIONAL SALES MANAGER OR  
EMAIL US AT [ENQUIRES@INDIGOVISION.COM](mailto:ENQUIRES@INDIGOVISION.COM)**



MOTOROLA, MOTO, MOTOROLA SOLUTIONS, and the Stylized M Logo are trademarks or registered trademarks of Motorola Trademark Holdings, LLC and are used under license.  
All other trademarks are the property of their respective owners. 09-2021